

TORQ-GARD SUPREME ENGINE OIL

X3377



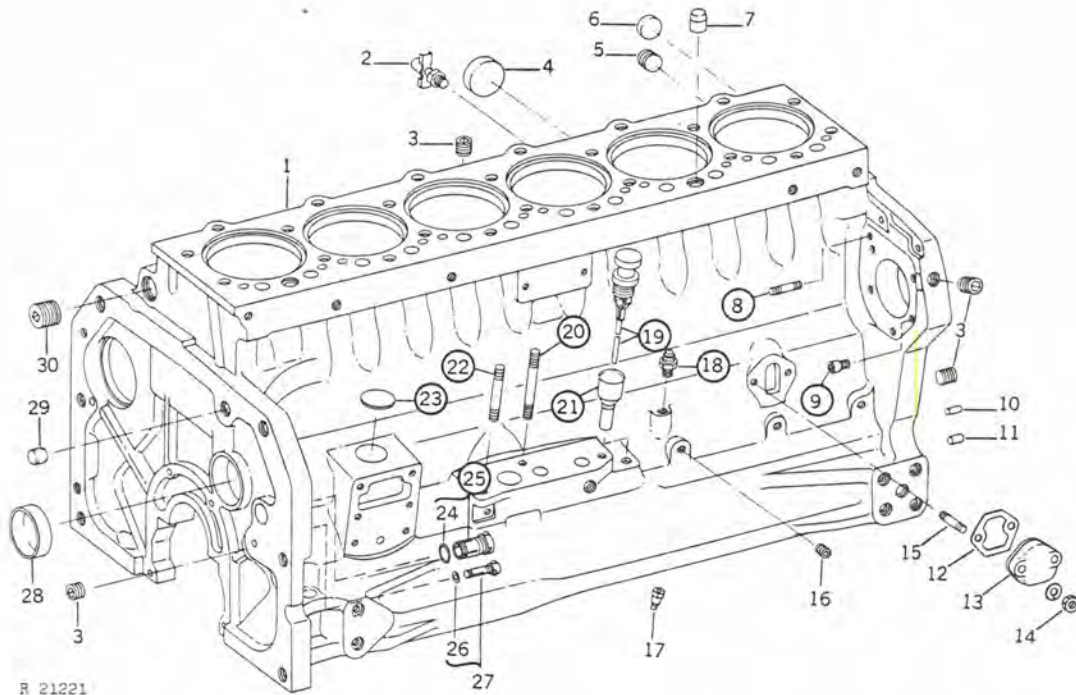
KEY	PART NO.	ENGINE SERIAL NO.	DESCRIPTION
..	AR 63980	(-)	OIL (SAE 5W/20), 1 HALF PINT (0.2L) CAN
..	AR 63228	(-)	OIL (SAE 5W/20), 1 QUART (0.9L) CAN
..	AR 63229	(-)	OIL (SAE 5W/20), 5 GALLON (19L) CAN
..	AR 63230	(-)	OIL (SAE 5W/20), 55 GALLON (208L) DRUM
..	AR 63223	(-)	OIL (SAE 10W/20), 1 QUART (0.9L) CAN
..	AR 65889	(-)	OIL (SAE 10W/20), 1 GALLON (3.8L) CAN
..	AR 63224	(-)	OIL (SAE 10W/20), 5 GALLON (19L) CAN
..	AR 63225	(-)	OIL (SAE 10W/20), 16 GALLON (61L) DRUM
..	AR 63226	(-)	OIL (SAE 10W/20), 30 GALLON (114L) DRUM
..	AR 63227	(-)	OIL (SAE 10W/20), 55 GALLON (208L) DRUM
..	AR 63979	(-)	OIL (SAE 30), A HALF PINT (0.2L) CAN
..	AR 63218	(-)	OIL (SAE 30), 1 QUART (0.9L) CAN
..	AR 65888	(-)	OIL (SAE 30), 1 GALLON (3.8L) CAN
..	AR 63219	(-)	OIL (SAE 30), 5 GALLON (19L) CAN
..	AR 63220	(-)	OIL (SAE 30), 16 GALLON (61L) DRUM
..	AR 63221	(-)	OIL (SAE 30), 30 GALLON (114L) DRUM
..	AR 63222	(-)	OIL (SAE 30), 55 GALLON (208L) DRUM

**KIT FOR OFF-SEASON STORAGE
(NOT ILLUSTRATED)**

KEY	PART NO.	ENGINE SERIAL NO.	DESCRIPTION
..	AR 41785	(-)	KIT, OFF-SEASON STORAGE, FOR ENGINE POWERED EQUIPMENT. THIS KIT CONTAINS 1 QT. (0.9L) CAN OF INTERNAL CORROSION INHIBITOR, 1 ROLL OF TAPE, AND 6 PLASTIC BAGS.
..	AR 41870	(-)	INHIBITOR, 1 QT. (0.9L) CAN OF INTERNAL CORROSION

R21221

CYLINDER BLOCK



R 21221

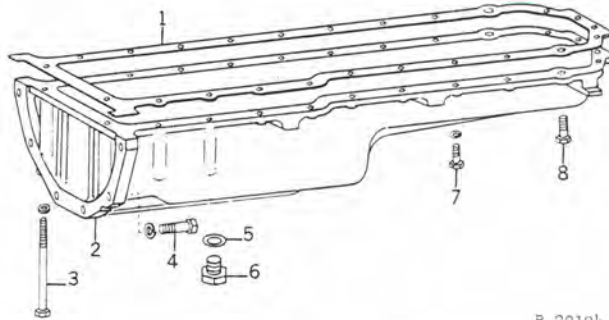
KEY	PART NO.	ENGINE SERIAL NO.	DESCRIPTION
1	AR 63271	(-)	BLOCK, CYLINDER, WITH MAIN BEARING CAPS, CAMSHAFT BUSHINGS, STUDS, AND DOWEL PINS (MARKED R49650 OR R49470)
2	AT 13740	(-)	COCK, DRAIN
3	15H 564	(-)	PLUG, PIPE, HEX. CTSK., 1/2" (4 USED 6404A, T) (5 USED 6404D)
4	AR 80294	(-)	PLUG (SUB. FOR R47092)
5	15H 665	(-)	PLUG, PIPE, HEX. CTSK., 3/4"
6	R 27036	(-)	PLUG
7	R 42340	(-)	DOWEL, HOLLOW (2 USED)
8	R 55396	(-)	STUD, 3/8" X 1-11/16" (4 USED 6404A, T) (1 USED 6404D)
	R 48755	(-)	STUD, 5/16" X 1-1/2" (4 USED 6404D)
9	R 56544	(-)	SCREW, SPECIAL CAP (4 USED 6404D)
	R 56545	(-)	SCREW, SPECIAL CAP (4 USED 6404A, T)
10	R 1612 R	(-)	PIN, DOWEL (2 USED)
11	F 1743 R	(-)	PIN, DOWEL (2 USED)
12	R 27285	(-)	GASKET (6404A, T)
13	R 27286	(-)	COVER (6404A, T)
14	14H 785	(-)	NUT, 5/16" (2 USED)
	12H 303	(-)	WASHER, LOCK, 5/16" (2 USED)
15	R 48755	(-)	STUD, 5/16" X 1-1/2" (2 USED)
16	R 21630	(-)	PLUG, SPECIAL PIPE (5 USED 6404D) (4 USED 6404A, T)
17	R 43621	(-)	ORIFICE, PISTON COOLING (6 USED)
18	R 39832	(-)	CONNECTOR, 1/8"-27 NPT X 3/8"-24 (6404A)
19	AR 58986	(-)	DIPSTICK
20	R 55395	(-)	STUD, 3/8" X 5/8"
21	AR 54557	(-)	TUBE, DIPSTICK
22	F 3646 R	(-)	STUD, 3/8" X 3"
23	30H 25	(-)	PLUG, EXPANSION, 2"
	30H 17	(-)	PLUG, EXPANSION, 1-1/4"
24	R 27149	(-)	O-RING
25	AR 61533	(-)	PLUG WITH O-RING (WITHOUT FLYWHEEL HOUSING)
	(-)	PLUG, CAP (WITH FLYWHEEL HOUSING)
26	A 4365 R	(-)	O-RING
27	AR 61589	(-)	PLUG WITH O-RING
28	R 26115	(-)	PLUG
29	R 43634	(-)	PIN, DOWEL
30	15H 562	(-)	PLUG, PIPE, SQ. CTSK., 1"
...	AR 27977	(-)	SWITCH, ENGINE OIL PRESSURE (NO INSTRUMENT PANEL)

CYLINDER BLOCK - CONTINUED

KEY	PART NO.	ENGINE SERIAL NO.	DESCRIPTION
..	AR 71120	(-)	BLOCK, SHORT, ENGINE REPLACEMENT, CONSISTING OF BLOCK, CONNECTING RODS, PISTONS, LINERS, CAMSHAFT, CRANKSHAFT, BEARING, MISC. PARTS AND NECESSARY GASKETS FOR INSTALLATION (6404A, T) (SUB. FOR AR63267)
..	AR 71121	(-)	BLOCK, SHORT, ENGINE REPLACEMENT, CONSISTING OF BLOCK, CONNECTING RODS, PISTONS, LINERS, CAMSHAFT, CRANKSHAFT BEARING, MISC. PARTS AND NECESSARY GASKETS FOR INSTALLATION (6404D) (SUB. FOR AR63934)

OIL PAN

R20194



R 20194

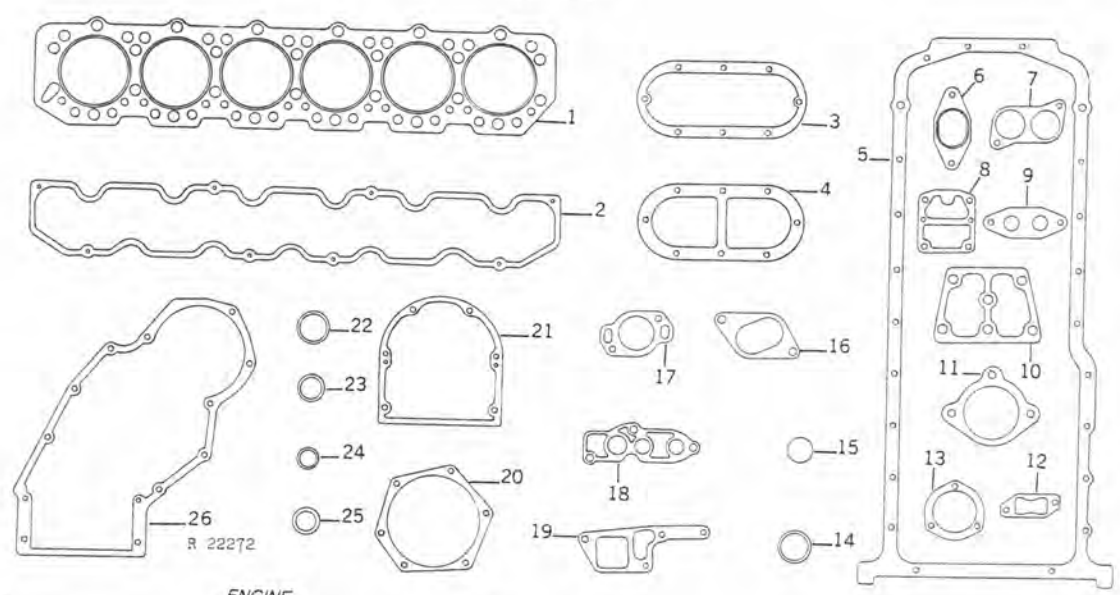
KEY	PART NO.	ENGINE SERIAL NO.	DESCRIPTION
1	R 50600	(-)	GASKET
2	R 53013	(-)	PAN, OIL (6404A)
	R 53138	(-)	PAN, OIL (6404D, T)
3	19H 2205	(-)	SCREW, CAP, 3/8" X 6" (2 USED)
	12H 304	(-)	WASHER, LOCK, 3/8" (2 USED)
	19H 1856	(-)	SCREW, CAP, 3/8" X 5-1/4" (2 USED)
	12H 304	(-)	WASHER, LOCK, 3/8" (2 USED)
4	19H 1777	(-)	SCREW, CAP, 1/2" X 1-3/4" (6 USED)
	12H 301	(-)	WASHER, LOCK, 1/2" (6 USED)
5	A 4827 R	(-)	WASHER, ALUMINUM (2 USED)
6	R 51944	(-)	PLUG, DRAIN (2 USED)
7	19H 2552	(-)	SCREW, CAP, 3/8" X 1-1/8" (16 USED)
	19H 1765	(-)	SCREW, CAP, 3/8" X 1-3/4" (2 USED)
	12H 304	(-)	WASHER, LOCK, 3/8" (18 USED)
8	R 27693	(-)	SCREW, SPECIAL CAP (2 USED)

John Sec

AR 63270 TOP SET GASKET SET (6404D)

ENGINE

R22272



KEY	PART NO.	ENGINE SERIAL NO.	DESCRIPTION
1	R 53438	*	GASKET, CYLINDER HEAD
2	R 32593	*	GASKET, ROCKER ARM COVER
3	R 50419	-	GASKET, OIL COOLER COVER
4	AR 58952	-	GASKET, OIL COOLER SPACER
5	R 53282	-	GASKET, OIL PAN
6	R 44374	*	GASKET, EXHAUST MANIFOLD, OUTER (2 USED)
7	R 44373	*	GASKET, EXHAUST MANIFOLD, INNER (2 USED)
8	R 62410	-	GASKET, SPEED-HOUR METER DRIVE GEAR HOUSING (SUB. FOR R44853)
9	R 50424	-	GASKET, OIL COOLER TUBE ADAPTER TO CYLINDER BLOCK
10	R 43595	-	GASKET, CYLINDER HEAD WATER OPENING COVER
11	R 53108	-	GASKET, STARTING MOTOR TO CYLINDER BLOCK
12	R 42693	*	GASKET, WATER OUTLET MANIFOLD TO CYLINDER HEAD (2 USED)
13	R 52049	-	GASKET, OIL PUMP HOUSING COVER
14	R 48399	-	PACKING, FUEL PUMP
15	T 20328	-	GASKET, CRANKCASE OIL FILLER CAP
16	R 26297	*	GASKET, INTAKE MANIFOLD (3 USED)
17	R 42694	*	GASKET, WATER OUTLET MANIFOLD
18	R 43774	-	GASKET, OIL FILTER BODY TO CYLINDER BLOCK
19	R 42406	-	GASKET, WATER PUMP SPACER
20	R 50390	-	GASKET, INJECTION PUMP ACCESS COVER
21	R 26058	-	GASKET, CRANKSHAFT OIL SEAL HOUSING
22	R 59343	*	PACKING, O-RING, VENTILATOR OUTLET TUBE (SUB. FOR R495R)
23	R 43780	*	PACKING, O-RING (2 USED)
24	R 50420	-	PACKING, O-RING (4 USED)
25	R 50378	-	PACKING, O-RING BYPASS HOUSING TO CYLINDER BLOCK AND OIL PUMP TUBE (4 USED)
26	R 50353	-	GASKET, TIMING GEAR COVER

SET LISTED BELOW CONTAINS ALL PARTS LISTED ON THIS PAGE.

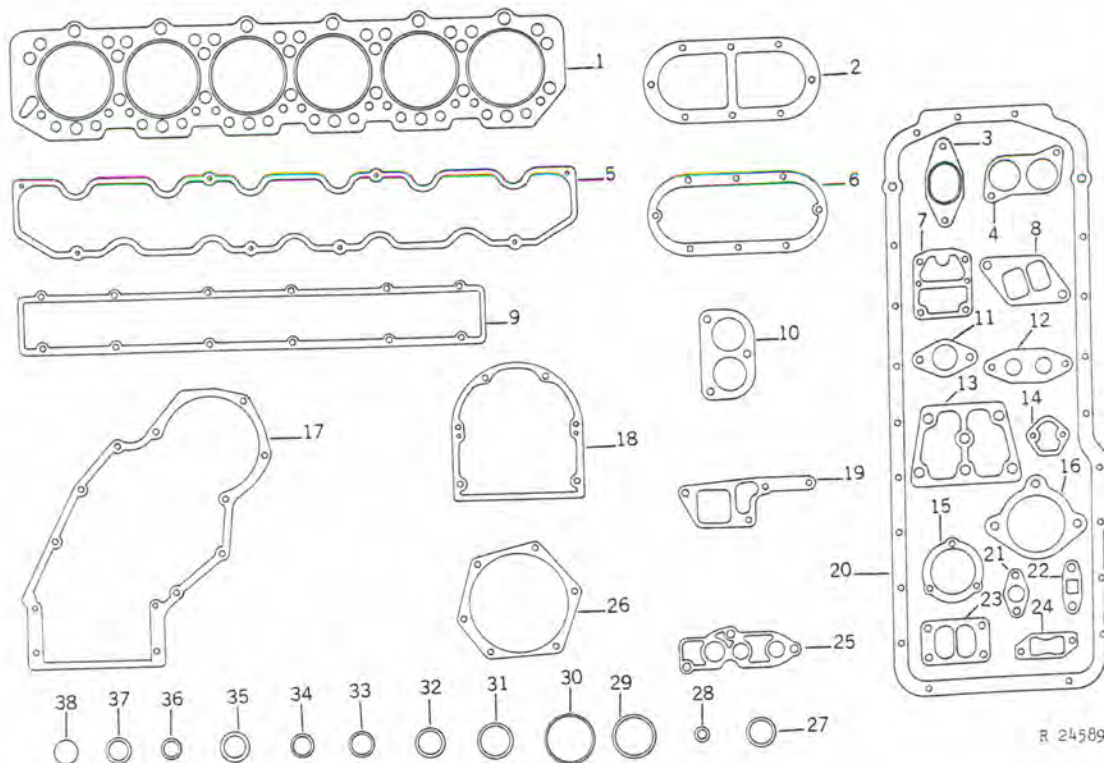
AR 63938 () GASKET, PACKAGED FOR ENGINE REBUILD

* SET LISTED BELOW CONTAINS ALL PARTS FOLLOWED BY AN ASTERISK ON THIS PAGE.

AR 63940 () GASKETS, PACKAGED FOR CYLINDER HEAD REMOVAL

**GASKET SET
(6404A, T)**

R24589



R 24589

KEY	PART NO.	ENGINE SERIAL NO.	DESCRIPTION
1	R 48291	*	GASKET, CYLINDER HEAD
2	R 50419	*	GASKET, OIL COOLER COVER
3	R 44374	*	GASKET, EXHAUST MANIFOLD, OUTER (2 USED)
4	R 44373	*	GASKET, EXHAUST MANIFOLD, INNER (2 USED)
5	R 32593	*	GASKET, ROCKER ARM COVER
6	AR 58952	*	GASKET, OIL COOLER SPACER (2 USED)
7	R 62410	*	GASKET, SPEED-HOUR METER DRIVE GEAR HOUSING (SUB. FOR R44853)
8	R 50397	*	GASKET, INTAKE MANIFOLD
9	R 50399	#	GASKET, INTAKE MANIFOLD COVER (2 USED)
10	R 46479	*	GASKET, THERMOSTAT COVER TO MANIFOLD
11	R 47395	*	GASKET, INTAKE MANIFOLD COVER ADAPTER, REAR
12	R 50424	#	GASKET, OIL COOLER TUBE ADAPTER TO CYLINDER BLOCK
13	R 43595	*	GASKET, CYLINDER HEAD WATER OPENING COVER
14	R 27285	*	GASKET, FUEL PUMP OPENING COVER
15	R 52049	*	GASKET, OIL PUMP HOUSING COVER
16	R 53108	*	GASKET, STARTING MOTOR TO CYLINDER BLOCK
17	R 50353	*	GASKET, TIMING GEAR COVER
18	R 26058	*	GASKET, CRANKSHAFT OIL SEAL HOUSING
19	R 42406	*	GASKET, WATER PUMP SPACER (2 USED)
20	R 53282	*	GASKET, OIL PAN
21	R 43413	*	GASKET, TURBOCHARGER OIL INLET LINE ADAPTER
22	R 43416	*	GASKET, TURBOCHARGER OIL INLET LINE
23	R 43751	*	GASKET, TUROBCHARGER TO EXHAUST MANIFOLD
24	R 42693	*	GASKET, WATER OUTLET MANIFOLD TO CYLINDER HEAD (2 USED)
25	R 43774	*	GASKET, OIL FILTER BODY TO CYLINDER BLOCK
26	R 50390	*	GASKET, INJECTION PUMP ACCESS COVER
27	R 50420	*	PACKING, O-RING, WATER BYPASS TUBE (2 USED)
28	R 48633	*	WASHER, COPPER, INJECTION NOZZLE TO CYLINDER HEAD (6 USED)
29	R 50406	*	PACKING, O-RING INTAKE COUPLING
30	R 50405	*	PACKING, O-RING INTAKE COUPLING
31	R 50378	*	PACKING, O-RING, BYPASS HOUSING TO CYLINDER BLOCK AND OIL PUMP TUBE (4 USED)

GASKET SET - CONTINUED
(6404A, T)

KEY	PART NO.		ENGINE SERIAL NO.	DESCRIPTION
32	R 50420		(-)	PACKING, O-RING, OIL COOLER COVER TO ADAPTER TUBE (4 USED)
33	R 52811	*	(-)	PACKING, O-RING, INTERCOOLER (2 USED)
34	R 43780	*	(-)	PACKING, O-RING, TURBOCHARGER OIL OUTLET LINE TO CYLINDER BLOCK CONNECTOR
35	R 59343	*	(-)	PACKING, O-RING, VENTILATOR OUTLET TUBE (SUB. FOR R495R)
36	R 51603	*	(-)	PACKING, O-RING, FUEL INJECTION NOZZLE (6 USED)
37	R 48693		(-)	GASKET, INJECTION LEAK-OFF LINE (12 USED)
38	T 20328		(-)	GASKET, OIL FILLER CAP

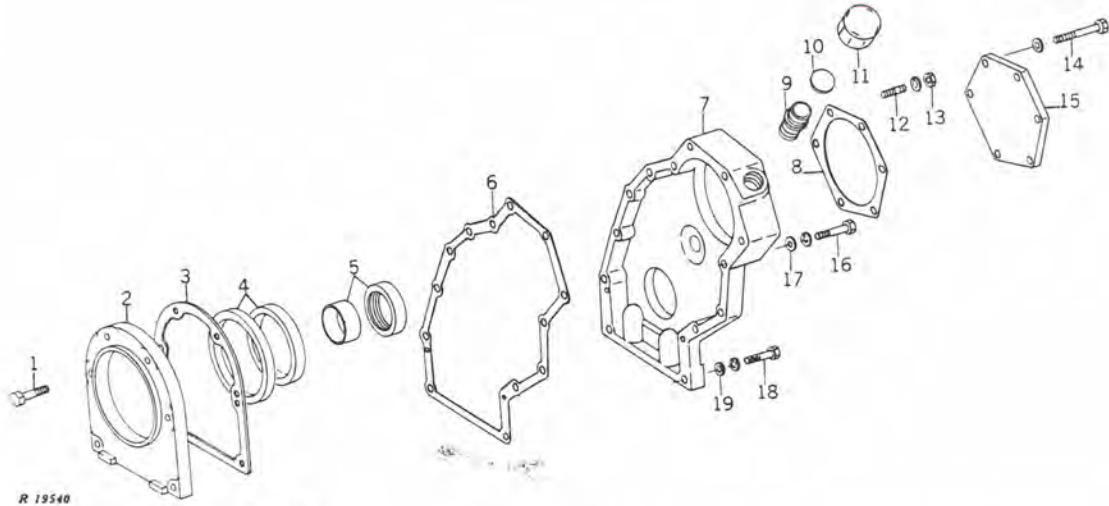
SET LISTED BELOW CONTAINS ALL PARTS LISTED ON THIS PAGE AND PAGES
.. AR 63269 (-) GASKET, PACKAGED FOR ENGINE REBUILD

* SET LISTED BELOW CONTAINS ALL PARTS FOLLOWED BY AN ASTERISK ON THIS PAGE AND PAGE 10-6
.. AR 63270 (-) GASKET, PACKAGED FOR CYLINDER HEAD REMOVAL

NOT INCLUDED IN EITHER KIT.

REAR OIL SEAL AND TIMING GEAR COVER

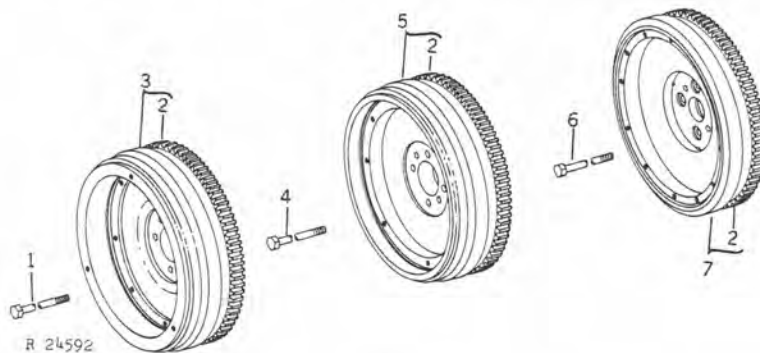
R19540



KEY	PART NO	ENGINE SERIAL NO.	DESCRIPTION
1	R 47074	-	SCREW, SPECIAL CAP (6 USED)
2	R 41406	-	HOUSING, CRANKSHAFT REAR OIL SEAL
3	R 26058	-	GASKET
4	AR 63095	-	SEAL, OIL, WITH CRANKSHAFT REAR WEAR SLEEVE (SUB. FOR AR49650)
5	AR 49025	-	SEAL, OIL, WITH WEAR SLEEVE
6	R 50353	-	GASKET
7	R 50352	-	COVER, TIMING GEAR
8	R 50390	-	GASKET
9	R 50354	-	NIPPLE, OIL FILLER
10	T 20328	-	GASKET, CAP
11	T 20294	-	CAP, CRANKCASE OIL FILLER
12	R 48628	-	LABEL, OIL FILLER CAP
13	R 50355	-	STUD, SPECIAL
14	14H 785	-	NUT, 5/16"
15	12H 303	-	WASHER, LOCK, 5/16"
16	19H 1907	-	SCREW, CAP, 5/16" X 2-3/4" (5 USED)
17	12H 303	-	WASHER, LOCK, 5/16" (5 USED)
18	R 50393	-	COVER, INJECTION PUMP ACCESS
19	19H 2713	-	SCREW, CAP, 5/16" X 1-7/8" (6 USED)
	12H 303	-	WASHER, LOCK, 5/16" (6 USED)
	17 24H 1136	-	WASHER, 11/32" X 11/16" X .060" (6 USED)
	18 19H 1906	-	SCREW, CAP, 5/16" X 1-1/2" (2 USED)
	12H 303	-	WASHER, LOCK, 5/16" (2 USED)
	19 24H 1136	-	WASHER, 11/32" X 11/16" X .060" (2 USED)

FLYWHEEL
 CODE 1501 FLYWHEEL FOR 10 INCH OVER CENTER CLUTCH
 CODE 1505 FLYWHEEL FOR 11.5 INCH OVER CENTER CLUTCH
 CODE 1507 FLYWHEEL FOR 14 INCH SINGLE PLATE

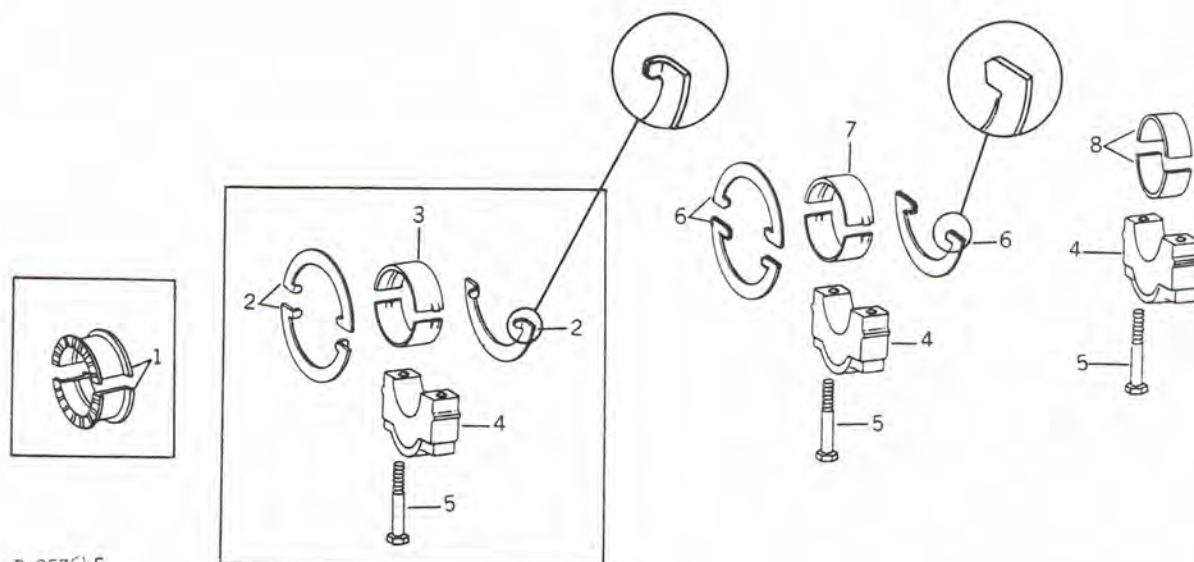
R24592



KEY	PART NO.	ENGINE SERIAL NO.	CODE	DESCRIPTION
1	T 12637	(-)	1501	SCREW, SPECIAL CAP (4 USED) (10-INCH (254MM) FLYWHEEL)
2	R 28811	(-)		GEAR, STARTER
3	AR 54969	(-)	1501	FLYWHEEL, WITH STARTER GEAR (MARKED R50860) (FOR USE WITH 10-INCH (254MM) OVER CENTER CLUTCH)
4	R 43369	(-)	1505	SCREW, SPECIAL CAP (4 USED) (11.5-INCH (292MM) FLYWHEEL)
5	AR 70168	(-)	1505	FLYWHEEL, WITH STARTER GEAR (MARKED R58449) (FOR USE WITH 11.5-INCH (292MM) OVER CENTER CLUTCH)
6	T 12637	(-)	1507	SCREW, SPECIAL CAP (4 USED) (14-INCH (356MM) FLYWHEEL)
7	AR 68167	(-)	1507	FLYWHEEL, WITH STARTER GEAR (MARKED R56962) (FOR USE WITH 14-INCH (356MM) SINGLE PLATE)

MAIN AND MAIN THRUST BEARINGS

R25764F



R 25764F

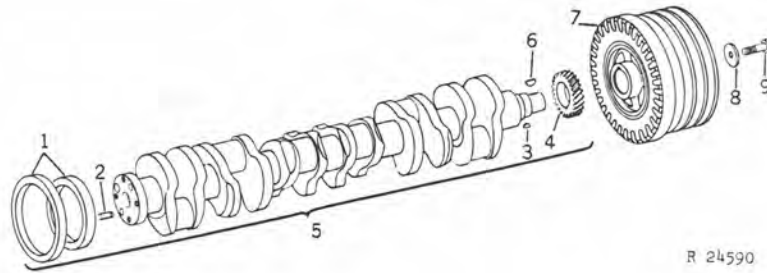
KEY	PART NO.	ENGINE SERIAL NO.	DESCRIPTION
1	AR 65235	(- XXXXX)	BEARING, MAIN THRUST (PKG. OF ONE R55596 AND ONE R55597) (1 PKG. USED) (SUB. FOR AR48940) (SUB. AR77748 AND AR77747)
	AR 65236	(- XXXXX)	BEARING, MAIN THRUST, .002" (0.05MM) UNDERSIZE, WITH STANDARD FLANGE (PKG. OF ONE R55737 AND R55738) (1 PKG. USED) (SUB. FOR AR49232)
	AR 65237	(- XXXXX)	BEARING, MAIN THRUST, .010" (0.25MM) UNDERSIZE, WITH STANDARD FLANGE (PKG. OF ONE R55739 AND R55740) (1 PKG. USED) (SUB. FOR AR42933) (SUB. AR77750 AND AR77747)
	AR 65238	(- XXXXX)	BEARING, MAIN THRUST, .020" (0.51MM) UNDERSIZE, WITH STANDARD FLANGE (PKG. OF ONE R55741 AND R55742) (1 PKG. USED) (SUB. FOR AR49234)
	AR 65239	(- XXXXX)	BEARING, MAIN THRUST, .030" (0.76MM) UNDERSIZE, WITH STANDARD FLANGE (PKG. OF ONE R55743 AND R55744) (1 PKG. USED) (SUB. FOR AR49235)
	AR 65240	(- XXXXX)	BEARING, MAIN THRUST, .010" (0.25MM) UNDERSIZE, WITH .007" (0.18MM) OVERSIZE FLANGE (PKG. OF ONE R55745 AND ONE R55746) (1 PKG. USED) (SUB. FOR AR49236)
2	AR 73275	(XXXXX - XXXXX)	WASHER, THRUST, MAIN BEARING (PKG. OF THREE R57778) (1 PKG. USED) (SUB. ONE AR77747 AND THE BEARING OF THE REQUIRED SIZE)
	AR 73276	(XXXXX - XXXXX)	WASHER, THRUST, MAIN BEARING, .007" (0.18MM) OVERSIZE FLANGE (PKG. OF THREE R60484) (1 PKG. USED) (SUB. ONE AR77753 AND THE BEARING OF THE REQUIRED SIZE)
3	AR 72998	(XXXXX - XXXXX)	BEARING, MAIN THRUST, STANDARD SIZE (PKG. OF ONE R57779 AND ONE R57780) (1 PKG. USED) (SUB. ONE AR77748 AND ONE AR77747 OR ONE AR77753)
	AR 73271	(XXXXX - XXXXX)	BEARING, MAIN THRUST, .002" (0.05MM) UNDERSIZE (PKG. OF ONE R60476 AND ONE R60477) (1 PKG. USED) (SUB. ONE AR77749 AND ONE AR77747 OR ONE AR77753)
	AR 73272	(XXXXX - XXXXX)	BEARING, MAIN THRUST, .010" (0.24MM) UNDERSIZE (PKG. OF ONE R60478 AND ONE R60479) (1 PKG. USED) (SUB. ONE AR77750 AND ONE AR77747 OR ONE AR77753)
	AR 73273	(XXXXX - XXXXX)	BEARING, MAIN THRUST, .020" (0.51MM) UNDERSIZE (PKG. OF ONE R60480 AND ONE R60481) (1 PKG. USED) (SUB. ONE AR77751 AND ONE AR77747 OR ONE AR77753)
	AR 73274	(XXXXX - XXXXX)	BEARING, MAIN THRUST, .030" (0.76MM) UNDERSIZE (PKG. OF ONE R60482 AND ONE R60483) (1 PKG. USED) (SUB. ONE AR77752 AND ONE AR77753)
4	...	(-)	NOT FURNISHED, MATCH WITH BLOCK
5	T 15539	(-)	SCREW, SPECIAL CAP (14 USED)
6	AR 77747	(444688 -)	WASHER, THRUST, MAIN BEARING (PKG. OF THREE R62986) (1 PKG. USED)
	AR 77753	(444688 -)	WASHER, THRUST, MAIN BEARING, .007" (0.18MM) OVERSIZE FLANGE (PKG. OF TWO R63010 AND R62986) (1 PKG. USED)

MAIN AND MAIN THRUST BEARINGS - CONTINUED

KEY	PART NO.	ENGINE SERIAL NO.	DESCRIPTION
7	AR 77748	(444688 -) BEARING, MAIN THRUST, STANDARD SIZE (PKG. OF ONE R62987 AND ONE R62988) (1 PKG. USED)
	AR 77749	(444688 -) BEARING, MAIN THRUST, .002" (0.08MM) UNDERSIZE (PKG. OF ONE R63002 AND ONE R63006) (1 PKG. USED)
	AR 77750	(444688 -) BEARING, MAIN THRUST, .010" (0.24MM) UNDERSIZE (PKG. OF ONE R63003 AND ONE R63007) (1 PKG. USED)
	AR 77751	(444688 -) BEARING, MAIN THRUST, .020" (0.51MM) UNDERSIZE (PKG. OF ONE R63004 AND ONE R63008) (1 PKG. USED)
	AR 77752	(444688 -) BEARING, MAIN THRUST, .030" (0.76MM) UNDERSIZE (PKG. OF ONE R63005 AND ONE R63009) (1 PKG. USED)
8	AR 74814	(-) BEARING, MAIN (PKG. OF ONE R61289 AND R57584) (6 PKG. USED) (SUB. FOR AR44625)
	AR 74815	(-) BEARING, MAIN, .002" (0.05MM) UNDERSIZE (PKG. OF ONE R61608 AND ONE R60472) (6 PKGS. USED) (SUB. FOR AR46399)
	AR 74816	(-) BEARING, MAIN, .010" (0.25MM) UNDERSIZE (PKG. OF ONE R61609 AND ONE R60473) (6 PKGS. USED) (SUB. FOR AR46400)
	AR 74817	(-) BEARING, MAIN, .020" (0.51MM) UNDERSIZE (PKG. OF ONE R61610 AND ONE R60474) (6 PKGS. USED) (SUB. FOR AR46401)
	AR 74818	(-) BEARING, MAIN, .030" (0.76MM) UNDERSIZE (PKG. OF ONE R61611 AND ONE R60475) (6 PKGS. USED) (SUB. FOR AR46402)

**CRANKSHAFT
(6404D, T)**

R24590

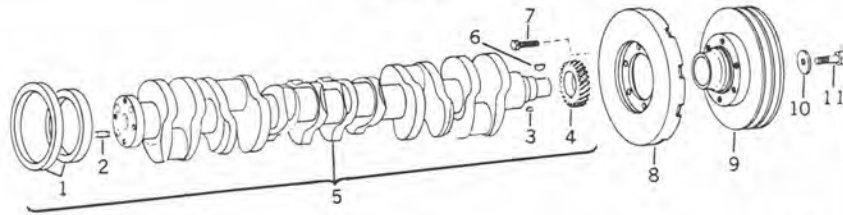


R 24590

KEY	PART NO.	ENGINE SERIAL NO.	DESCRIPTION
I 1	AR 63095	(-)	SEAL, OIL, WITH WEAR SLEEVE (SUB. FOR AR49650)
2	R 41934	(-)	PIN, DOWEL
3	26H 9	(-)	KEY, WOODRUFF, 1/8" X 5/8"
4	R 26049	(-)	GEAR, CRANKSHAFT
I 5	AR 74624	(-)	CRANKSHAFT, WITH GEAR, REAR OIL SLINGER AND PINS (MARKED R56934 AND R56979) (SUB. FOR AR68094)
6	26H 85	(-)	KEY, WOODRUFF, 1/4" X 1"
7	AR 57241	(-)	DAMPER
8	R 26333	(-)	WASHER
9	19H 1734	(-)	SCREW, CAP, 5/8" X 2"

**CRANKSHAFT
(6404A)**

R24716

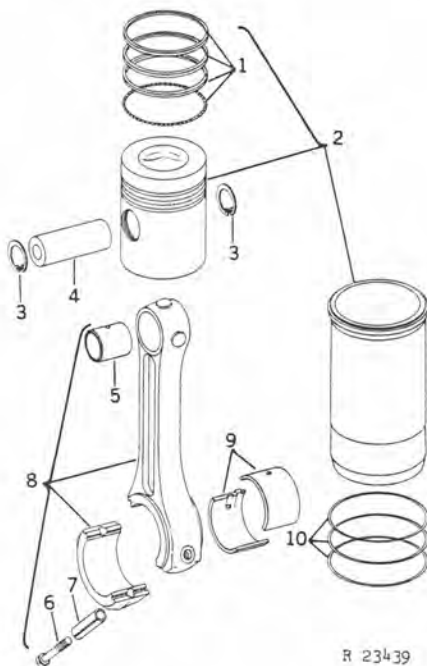


R 24716

KEY	PART NO.	ENGINE SERIAL NO.	DESCRIPTION
I 1	AR 63095	(-)	SEAL, OIL, WITH WEAR SLEEVE (SUB. FOR AR49650)
2	R 41934	(-)	PIN, DOWEL
3	26H 9	(-)	KEY, WOODRUFF, 1/8" X 5/8"
4	R 26049	(-)	GEAR, CRANKSHAFT
I 5	AR 74624	(-)	CRANKSHAFT, WITH GEAR, REAR OIL SLINGER AND PINS (MARKED R56934 AND R56979) (SUB. FOR AR68094)
6	26H 85	(-)	KEY, WOODRUFF, 1/4" X 1"
7	19H 988	(-)	SCREW, CAP, 3/8" X 1-1/4" (6 USED)
8	R 50414	(-)	PULLEY, CRANKSHAFT
9	AR 43954	(-)	DAMPER
10	R 26333	(-)	WASHER
11	19H 1734	(-)	SCREW, CAP, 5/8" X 2"

PISTON, RING AND LINERS
(6404D)

R23439



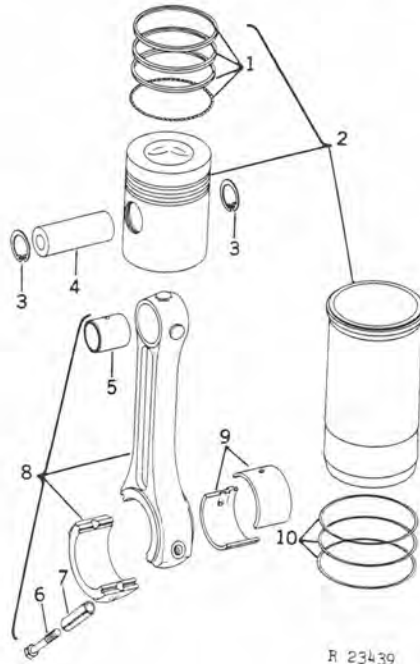
R 23439

Eng No
335846-11/12

KEY	PART NO.	ENGINE SERIAL NO.	DESCRIPTION
1	AR 65502	(-)	RING, PISTON SET (6 USED)
2	AR 65602	(-)	PISTON WITH RING AND LINER
	AR 66459	(-)	KIT, PISTON WITH RINGS, LINERS AND GASKET SET (6 USED)
3	H 80753	(-)	RING, SNAP (12 USED)
4	R 44161	(-)	PIN, PISTON, STANDARD (6 USED)
	R 44162	(-)	PIN, PISTON, .003" (0.08MM) (MARKED WITH YELLOW) (6 USED)
	R 44163	(-)	PIN, PISTON, .005" (0.13MM) (MARKED WITH GREEN) (6 USED)
5	R 30939	(-)	BUSHING, PISTON PIN (6 USED)
6	R 53290	(-)	SCREW, CONNECTING ROD (8 USED) (SUB. FOR R26325)
7	R 53292	(414913 -)	SLEEVE (12 USED) (USE WITH AR70910)
8	AR 26328	(- 414912)	ROD, CONNECTING, WITH PISTON PIN BUSHING ONLY (6 USED) (SUB. AR70910)
	AR 70910	(414913 -)	ROD, CONNECTING, WITH PISTON PIN BUSHING, SCREW AND SLEEVE (MARKED R58880) (6 USED)
9	AR 45723	(-)	BEARING, CONNECTING ROD, STANDARD (PKG. OF TWO R44378) (6 PKGS. USED)
	AR 46395	(-)	BEARING, CONNECTING ROD, .002" (0.05MM) UNDERSIZE (PKG. OF TWO R44925) (6 PKGS. USED)
	AR 46396	(-)	BEARING, CONNECTING ROD, .010" (0.25MM) UNDERSIZE (PKG. OF TWO R44926) (6 PKGS. USED)
	AR 46397	(-)	BEARING, CONNECTING ROD, .020" (0.51MM) UNDERSIZE (PKG. OF TWO R44927) (6 PKGS. USED)
	AR 46398	(-)	BEARING, CONNECTING ROD, .030" (0.76MM) UNDERSIZE (PKG. OF TWO R44928) (6 PKGS. USED)
10	AR 65507	(-)	KIT, PACKING (6 USED) (SUB. FOR AR53443)

PISTON, RINGS, AND LINER
(6404A, T)

R23439

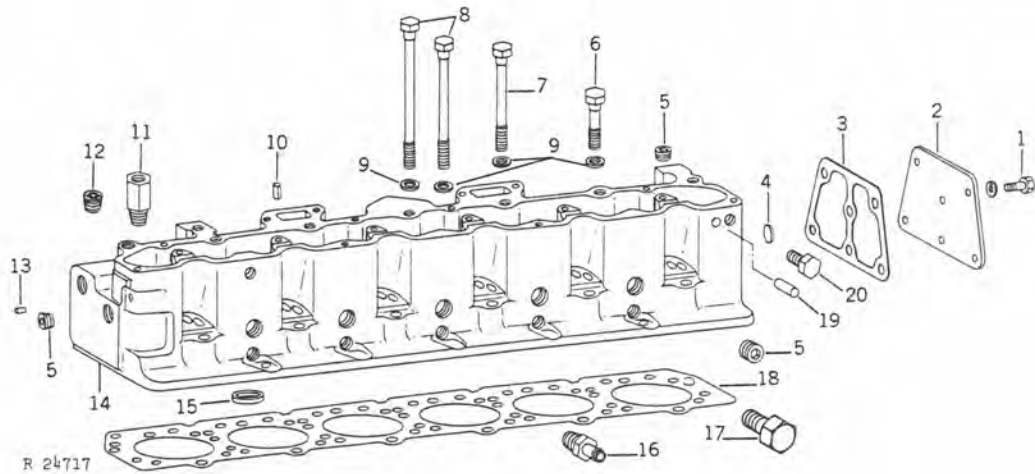


R 23439

KEY	PART NO.	ENGINE SERIAL NO.	DESCRIPTION
1	AR 51741	(-)	SET, RING, PISTON (6 USED)
2	AR 63272	(-)	PISTON WITH RINGS AND LINER (MARKED AR54552) (6 USED)
3	R 54114	(-)	RING, SNAP (12 USED)
4	R 41425	(-)	PIN, PISTON, STANDARD (6 USED)
	R 54263	(-)	PIN, PISTON, .003" (0.08MM) OVERSIZE (MARKED WITH YELLOW) (6 USED) (SUB. FOR R42714)
	R 54264	(-)	PIN, PISTON, .005" (0.13MM) OVERSIZE (MARKED WITH RED) (6 USED) (SUB. FOR R42175)
5	R 42173	(-)	BUSHING, PISTON PIN (6 USED)
6	R 53290	(-)	SCREW, CONNECTING ROD (12 USED) (SUB. FOR R26325)
7	R 53292	(414686 -)	SLEEVE (12 USED) (USE WITH AR70912 ROD)
8	AR 41056	(- 414685)	ROD, CONNECTING, WITH PISTON PIN BUSHING ONLY (MARKED R41423) (6 USED) (SUB. AR70912)
	AR 70912	(414686 -)	ROD, CONNECTING, WITH PISTON PIN BUSHING, SCREW, AND SLEEVE (MARKED R58882) (6 USED)
9	AR 45723	(-)	BEARING, CONNECTING ROD, STANDARD (PKG. OF TWO R44378) (6 PKGS. USED)
	AR 46395	(-)	BEARING, CONNECTING ROD, .002" (0.05MM) UNDERSIZE (PKG. OF TWO R44925) (6 PKGS. USED)
	AR 46396	(-)	BEARING, CONNECTING ROD, .010" (0.25MM) UNDERSIZE (PKG. OF TWO R44926) (6 PKGS. USED)
	AR 46397	(-)	BEARING, CONNECTING ROD, .020" (0.51MM) UNDERSIZE (PKG. OF TWO R44927) (6 PKGS. USED)
	AR 46398	(-)	BEARING, CONNECTING ROD, .030" (0.76MM) UNDERSIZE (PKG. OF TWO R44928) (6 PKGS. USED)
10	AR 65507	(-)	KIT, PACKING (6 USED) (SUB. FOR AR53443)

CYLINDER HEAD AND GASKET

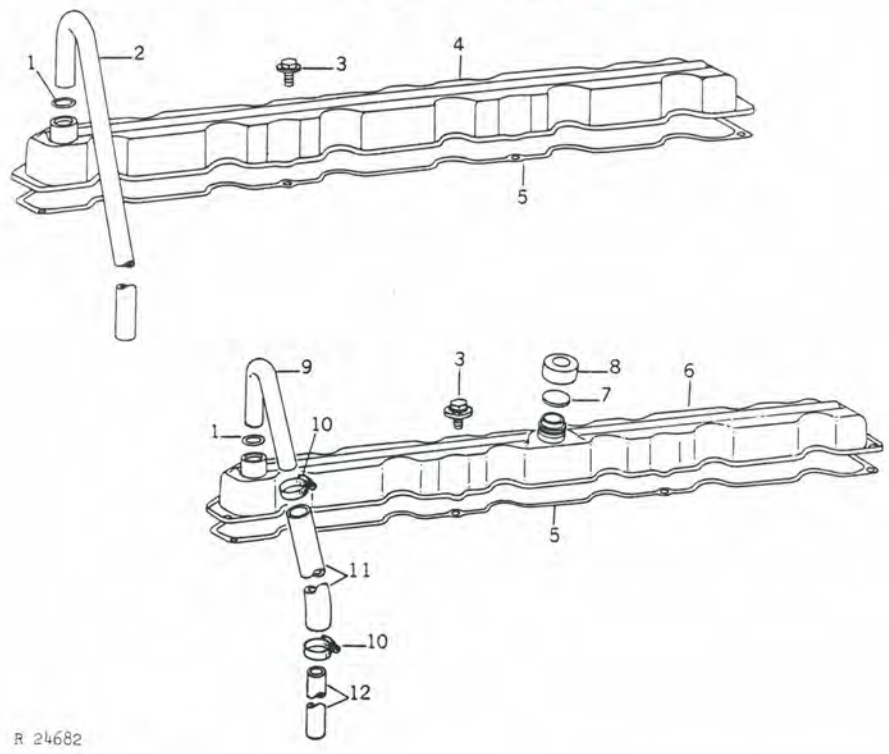
R24717



KEY	PART NO.	ENGINE SERIAL NO.	DESCRIPTION
1	19H 2284	(-)	SCREW, CAP, 3/8" X 7/8" (6 USED)
	12H 331	(-)	WASHER, LOCK, INT. TOOTH, 3/8" (6 USED)
2	R 51347	(-)	COVER
3	R 43595	(-)	GASKET
4	30H 37	(-)	PLUG, EXPANSION
5	15H 665	(-)	PLUG, PIPE, HEX. CTSK., 3/4" (13 USED)
6	R 62421	(-)	SCREW, CYLINDER HEAD, 9/16" X 3-3/8" (6 USED) (SUB. FOR R45195)
7	R 62418	(-)	SCREW, CYLINDER HEAD, 9/16" X 5-3/8" (5 USED) (SUB. FOR R45192)
8	R 62419	(-)	SCREW, CYLINDER HEAD, 9/16" X 6-3/8" (8 USED) (SUB. FOR R45193)
9	R 62420	(-)	SCREW, CYLINDER HEAD, 9/16" X 7-1/2" (7 USED) (SUB. FOR R45194)
	R 42364	(-)	WASHER (26 USED)
10	34H 387	(-)	PIN, SPRING, 3/16" X 3/4"
11	R 41285	(-)	CONNECTOR (6404D)
12	15H 624	(-)	PLUG, PIPE, 1/2" (6404A, T)
13	F 1743 R	(-)	PIN, DOWEL
14	AR 58984	(- 499999)	HEAD, CYLINDER, WITH DOWEL PINS AND PLUGS (MARKED R50360) (6404D)
	AR 72249	(500000 -)	HEAD, CYLINDER, WITH DOWEL PINS AND PLUGS (MARKED R59849) (6404D)
	AR 54554	(- 445569)	HEAD, CYLINDER, WITH DOWEL PINS AND PLUGS (MARKED R53200) (6404A, T)
	AR 70564	(445570 -)	HEAD, CYLINDER, WITH DOWEL PINS AND PLUGS (MARKED R61521) (6404A, T)
15	R 43681	(-)	INSERT, EXHAUST VALVE SEAT, REGULAR (6 USED) (USE WHEN REQUIRED) (6404D)
	R 43683	(-)	INSERT, EXHAUST VALVE SEAT, .010" (0.25MM) OVERSIZE (6 USED) (USE WHEN REQUIRED) (6404D)
	R 43680	(-)	INSERT, INTAKE VALVE SEAT, REGULAR (6 USED) (USE WHEN REQUIRED) (6404D)
	R 43682	(-)	INSERT, INTAKE VALVE SEAT, .010" (0.25MM) OVERSIZE (6 USED) (USE WHEN REQUIRED) (6404D)
	R 50356	(-)	INSERT, VALVE SEAT, REGULAR (12 USED) (USE WHEN REQUIRED) (6404A, T)
	R 55061	(-)	INSERT, VALVE SEAT, .010" (0.25MM) OVERSIZE (6 USED) (USE WHEN REQUIRED) (6404A, T)
16	R 41071	(-)	CONNECTOR, SPECIAL (6404D)
17	R 45692	(-)	SCREW, SPECIAL CAP REAR R.H.
18	R 48291	(-)	GASKET, CYLINDER HEAD
19	R 20423	(-)	PIN, DOWEL
20	R 45693	(-)	SCREW, SPECIAL CAP LIFT STRAP (2 USED)
	R 45692	(-)	SCREW, SPECIAL CAP
...	AR 63940	(-)	SET, GASKET, CYLINDER HEAD REPLACEMENT (6404D) (FOR CONTENTS SEE PAGE 10-5)
..	AR 63270	(-)	SET, GASKET, CYLINDER HEAD REPLACEMENT (6404A, T) (FOR CONTENTS SEE PAGE 10-6 AND 10-7)

ROCKER ARM COVER
 CODE 1101 ROCKER ARM COVER, CENTER FILL
 CODE 1102 ROCKER ARM COVER, NO FILL

R24682

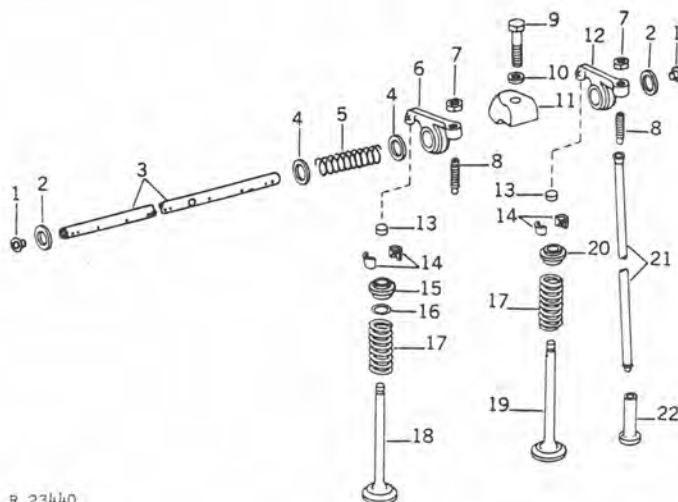


R 24682

KEY	PART NO.	ENGINE SERIAL NO.	CODE	DESCRIPTION
1	R 495 R	(-)		O-RING
2	R 26405	(-)		TUBE, VENTILATOR OUTLET
3	AR 45530	(-)		SCREW, SPECIAL CAP, WITH WASHERS (8 USED)
4	AR 26516	(-)	1102	COVER WITH BUSHING AND BAFFLE
5	R 32593	(-)		GASKET
6	AR 47943	(-)	1101	COVER WITH BUSHING AND BAFFLE
7	T 20328	(-)	1101	GASKET
8	T 20294	(-)	1101	CAP
9	R 50387	(-)		TUBE, VENTILATOR OUTLET (UPPER)
10	AR 21839	(-)		CLAMP, HOSE (2 USED)
11	R 50389	(-)		HOSE, 3/4" X 24" (19MM X 610MM) POLYVINYL
12	R 50388	(-)		TUBE, VENTILATOR OUTLET (LOWER)

ROCKER ARMS, SHAFTS AND VALVES

R23440



R 23440

KEY	PART NO.	ENGINE SERIAL NO.	DESCRIPTION
1	R 54565	(-)	PLUG (2 USED)
2	R 26081	(-)	WASHER, SPRING (2 USED)
3	R 60650	(-)	SHAFT, ROCKER ARM (ALSO ORDER TWO R54565 PLUGS)
4	24H 1384	(-)	WASHER, 49/64" X 1-11/16" X .036" (10 USED)
5	R 26079	(-)	SPRING (5 USED)
6	AR 54905	(-)	ARM, ROCKER, WITH ADJUSTING SCREW AND NUT (6 USED)
7	14H 846	(-)	NUT, 3/8" (12 USED)
8	R 27443	(-)	SCREW, ADJUSTING (12 USED)
9	19H 1740	(-)	SCREW, CAP, 7/16" X 1-3/4" (6 USED)
10	R 26559	(-)	WASHER (6 USED)
11	R 26748	(-)	CLAMP (6 USED)
12	AR 54904	(-)	ARM, ROCKER, WITH ADJUSTING SCREW AND NUT (6 USED)
13	T 20129	(-)	CAP, VALVE STEM (12 USED)
14	T 20077	(-)	LOCK, RETAINER (24 USED)
15	R 41412	(-)	CAP, INTAKE VALVE SPRING (6 USED 6404D)
16	R 27976	(-)	O-RING (6 USED 6404D)
17	R 26125	(-)	SPRING, VALVE
18	R 43883	(-)	VALVE, INTAKE, STANDARD STEM (6 USED 6404D)
	R 45003	(-)	VALVE, INTAKE, .003" (0.08MM) OVERSIZE STEM (6 USED 6404D)
	R 45004	(-)	VALVE, INTAKE, .015" (0.38MM) OVERSIZE STEM (6 USED 6404D)
	R 45005	(-)	VALVE, INTAKE, .030" (0.76MM) OVERSIZE STEM (6 USED 6404D)
	R 50358	(-)	VALVE, INTAKE, STANDARD SIZE (6 USED 6404A, T)
	R 55055	(-)	VALVE, INTAKE, .003" (0.08MM) OVERSIZE (6 USED 6404A, T)
	R 55057	(-)	VALVE, INTAKE, .015" (0.38MM) OVERSIZE (6 USED 6404A, T)
	R 55059	(-)	VALVE, INTAKE, .030" (0.76MM) OVERSIZE (6 USED 6404A, T)

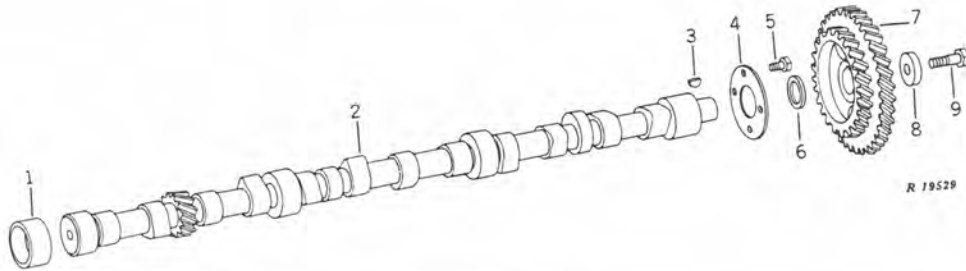
ROCKER ARMS, SHAFTS AND VALVES - CONTINUED

KEY	PART NO.	ENGINE SERIAL NO.	DESCRIPTION
19	R 43679	(-)	VALVE, EXHAUST, STANDARD STEM (6 USED 6404D)
	R 43787	(-)	VALVE, EXHAUST, .003" (0.08MM) OVERSIZE STEM (6 USED 6404D)
	R 43788	(-)	VALVE, EXHAUST, .015" (0.38MM) OVERSIZE STEM (6 USED 6404D)
	R 43789	(-)	VALVE, EXHAUST, .030" (0.76MM) OVERSIZE STEM (6 USED 6404D)
	R 50357	(-)	VALVE, EXHAUST, STANDARD SIZE (6 USED 6404A, T)
	R 55056	(-)	VALVE, EXHAUST, .003" (0.08MM) OVERSIZE (6 USED 6404A, T)
	R 55058	(-)	VALVE, EXHAUST, .015" (0.38MM) OVERSIZE (6 USED 6404A, T)
	R 55060	(-)	VALVE, EXHAUST, .030" (0.76MM) OVERSIZE (6 USED 6404A, T)
20	AR 41006	(-)	ROTATOR, EXHAUST VALVE (6 USED 6404D) (12 USED 6404A, T)
21	AR 40680	(-)	ROD, PUSH (12 USED 6404)
22	R 52773	(-)	FOLLOWER, CAM (12 USED 6404)
..	AR 44402	(-)	LUBRICANT, SPECIAL, VALVE STEM AND VALVE GUIDE, ONE QUART (0.9L)

3274 1204

ENGINE

CAMSHAFT AND GEAR

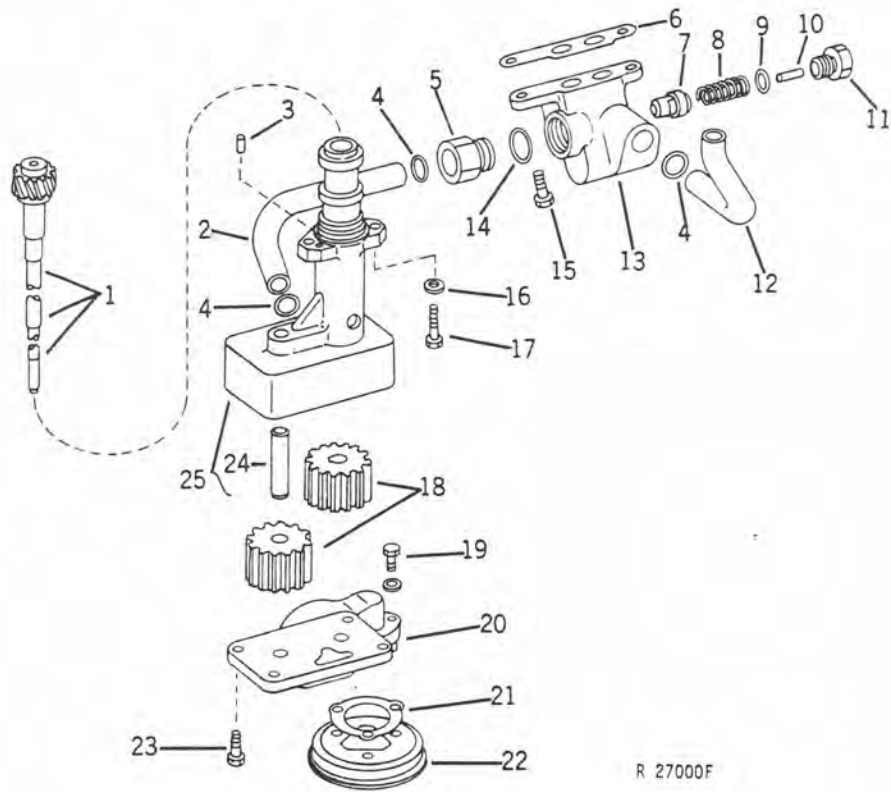


R 19529

KEY	PART NO.	ENGINE SERIAL NO.	DESCRIPTION
1	R 46903	(-)	BUSHING (4 USED)
2	AR 74144	(-)	CAMSHAFT WITH TWELVE CAM FOLLOWERS (MARKED R61150) (ALSO ORDER 19H1777 AND 19H1821) (SUB. FOR AR71709)
3	26H 72	(-)	KEY, WOODRUFF, 1/8" X 5/8"
4	R 42355	(-)	PLATE, THRUST
5	19H 1813	(-)	SCREW, CAP, 5/16" X 5/8" (4 USED)
6	R 42356	(-)	SPACER
7	AR 55487	(-)	GEAR, CAMSHAFT AND INJECTION PUMP DRIVE (MATCHED SET)
8	R 35256	(-)	WASHER, SPECIAL
9	19H 1777	(-)	SCREW, CAP, 1/2" X 1-3/4"

ENGINE OIL PUMP AND OIL COOLER BYPASS VALVE

R27000F



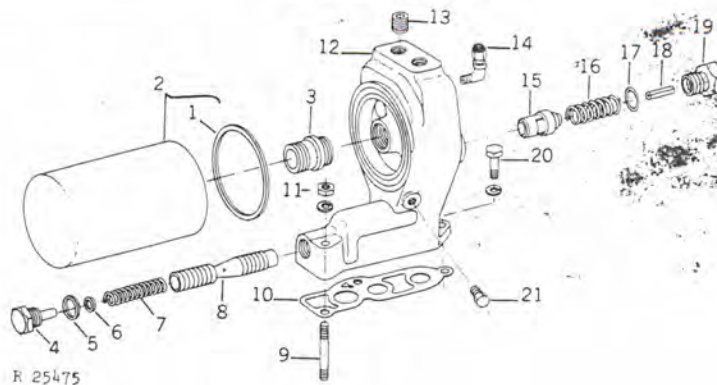
R 27000F

KEY	PART NO.	ENGINE SERIAL NO.	DESCRIPTION
1	R 45133	(-)	GEAR, OIL PUMP DRIVE WITH SHAFT (SUB. FOR R48398)
2	R 50381	(-)	TUBE, BYPASS HOUSING TO OIL PUMP
3	H 826 R	(-)	PIN, DOWEL
4	R 50378	(-)	O-RING (4 USED)
5	R 50379	(-)	NUT, GLAND
6	R 65055	(-)	GASKET
7	R 49464	(-)	VALVE
8	R 26151	(-)	SPRING
9	U 17409	(-)	O-RING
10	34H 313	(-)	PIN, SPRING, 1/4" X 1-1/2"
11	R 49465	(-)	PLUG
12	R 50386	(-)	TUBE, BYPASS HOUSING TO CYLINDER BLOCK
13	R 50384	(-)	HOUSING, OIL COOLER BYPASS
14	U 13639	(-)	O-RING
15	R 40236	(-)	SCREW, SPECIAL (2 USED)
16	R 42729	(-)	WASHER, SPECIAL (2 USED)
17	AR 63865	* - XXXXX	KIT, ENGINE OIL PUMP HOUSING, SCREWS AND WASHERS (SUB. AR71121)
	R 38614	* (XXXXX -)	SCREW, SPECIAL CAP (2 USED)
18	AR 71123	(-)	GEARS, DRIVEN AND IDLER (SUB. FOR AR52570)
19	19H 1905	(-)	SCREW, CAP, 5/16" X 1" (3 USED)
	12H 303	(-)	WASHER, LOCK, 5/16" (3 USED)
20	R 60754	(-)	COVER, OIL PUMP HOUSING (SUB. FOR R52048)
21	R 52049	(-)	GASKET
22	AR 56639	(-)	INTAKE, OIL PUMP
23	R 46567	(-)	SCREW, SPECIAL CAP (4 USED)
24	R 42390	(-)	SHAFT, OIL PUMP IDLER GEAR
25	AR 77494	(-)	HOUSING, OIL PUMP WITH SHAFT (MARKED R50377, R56607, R59033 OR R57556) (SUB. FOR AR54559, AR68313 OR AR71122)

* KIT LISTED BELOW CONTAINS THE COMPLETE ENGINE OIL PUMP AND ALL PARTS FOLLOWED BY AN ASTERISK
 AR 75893 (-) PUMP, ENGINE OIL ASSEMBLY, WITH SCREWS

R25475

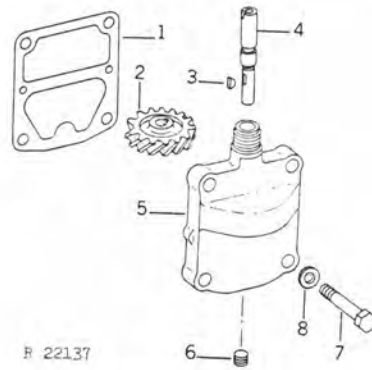
ENGINE OIL FILTER



KEY	PART NO.	ENGINE SERIAL NO.	DESCRIPTION
1	R 43660	(-)	PACKING
2	AR 43634	(-)	FILTER, ENGINE OIL
3	R 43429	(-)	ADAPTER, OIL FILTER
4	R 43425	(-)	PLUG
	R 43549	(-)	WASHER, SPECIAL (3 USED)
5	R 43424	(-)	WASHER, ALUMINUM
6	U 40750	(-)	WASHER (USE AS REQUIRED)
7	R 43548	(-)	SPRING
8	R 43428	(-)	VALVE, OIL PRESSURE REGULATING
9	R 55395	(-)	STUD, 3/8" X 3-5/8"
	F 3646 R	(-)	STUD, 3/8" X 3"
10	R 43774	(-)	GASKET
11	14H 812	(-)	NUT, 3/8" (2 USED)
	12H 304	(-)	WASHER, LOCK, 3/8" (2 USED)
12	AR 76582	(-)	BODY, ENGINE OIL FILTER (MARKED R54561, R59483 OR R62110) (SUB. FOR AR64221 OR AR71819)
13	15H 665	(-)	PLUG, PIPE, HEX. CTSK., 3/4" (2 USED)
14	15H 558	(- 445569)	PLUG, PIPE, HEX. CTSK., 1/8"
	R 62109	(445570 -)	ELBOW, 90°, 1/8"
	R 49464	(-)	VALVE, OIL FILTER BYPASS
16	R 26151	(-)	SPRING, OIL FILTER BYPASS VALVE
17	U 17409	(-)	O-RING
18	34H 313	(-)	PIN, SPRING, 1/4" X 1-1/8"
19	R 49465	(-)	PLUG
20	19H 988	(-)	SCREW, CAP, 3/8" X 1-1/4"
	12H 304	(-)	WASHER, LOCK, 3/8"
21	R 55233	(-)	PLUG, SPECIAL PIPE

R22137

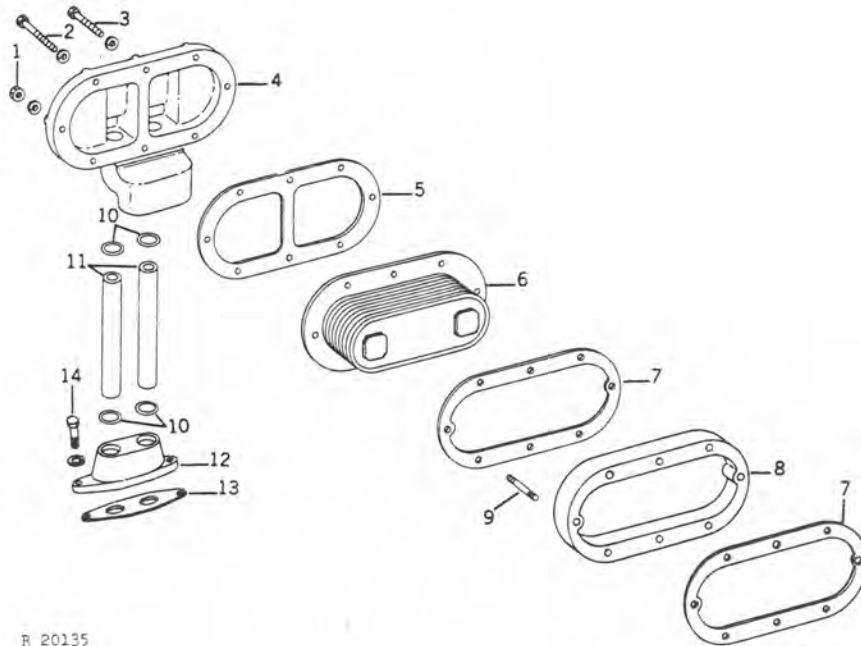
SPEED-HOUR METER DRIVE



KEY	PART NO.	ENGINE SERIAL NO.	DESCRIPTION
1	R 62410	(-)	GASKET (SUB. FOR R44853)
2	R 32426	(-)	GEAR, SPEED-HOUR METER DRIVE
3	26H 3	(-)	KEY, WOODRUFF, 3/32" X 3/8"
4	R 26172	(-)	SHAFT, SPEED-HOUR METER DRIVE
5	R 43851	(-)	HOUSING, SPEED-HOUR METER DRIVE (SUB. FOR AR43652)
6	15H 559	(-)	PLUG, PIPE, HEX. CTSK., 1/4"
7	19H 1732	(-)	SCREW, CAP, 3/8" X 1-1/4" (4 USED)
8	24H 1303	(-)	WASHER, 13/32" X 11/16" X .060" (4 USED)

ENGINE OIL COOLER

R20135



R 20135

KEY	PART NO.	ENGINE SERIAL NO.	DESCRIPTION
1	14H 785	(-)	NUT, 5/16" (2 USED)
	12H 303	(-)	WASHER, LOCK, 5/16" (2 USED)
2	19H 1921	(-)	SCREW, CAP, 5/16" X 3-1/4"
	12H 303	(-)	WASHER, LOCK, 5/16"
3	19H 1907	(-)	SCREW, CAP, 5/16" X 2-3/4" (5 USED)
	12H 303	(-)	WASHER, LOCK, 5/16" (5 USED)
4	R 50421	(-)	COVER, OIL COOLER (6404A)
	R 51283	(-)	COVER, OIL COOLER (6404D, T)
5	R 50419	(-)	GASKET
6	AT 25038	(-)	COOLER, OIL (6404A)
	AR 55394	(-)	COOLER, OIL (6404D, T)
7	AR 58952	(-)	GASKET (2 USED 6404A) (1 USED 6404D, T)
8	R 50418	(-)	SPACER (6404A)
9	R 50375	(-)	STUD, 5/16" X 3" (2 USED) (6404A)
	R 51284	(-)	STUD, 5/16" X 1-3/4" (2 USED) (6404D, T)
10	R 50420	(-)	O-RING (4 USED)
11	R 50422	(-)	TUBE (2 USED) (6404A)
	R 51053	(-)	TUBE (2 USED) (6404D, T)
12	R 50423	(-)	ADAPTER
13	R 50424	(-)	GASKET
14	19H 988	(-)	SCREW, CAP, 3/8" X 1-1/4" (2 USED)
	12H 304	(-)	WASHER, LOCK, 3/8" (2 USED)