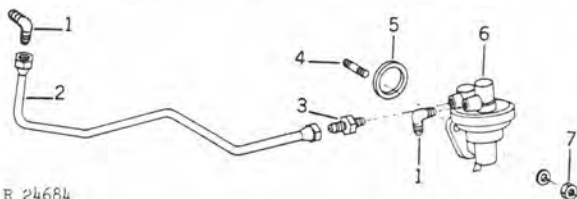


FUEL PUMP AND PIPES
(6404D)

R24684

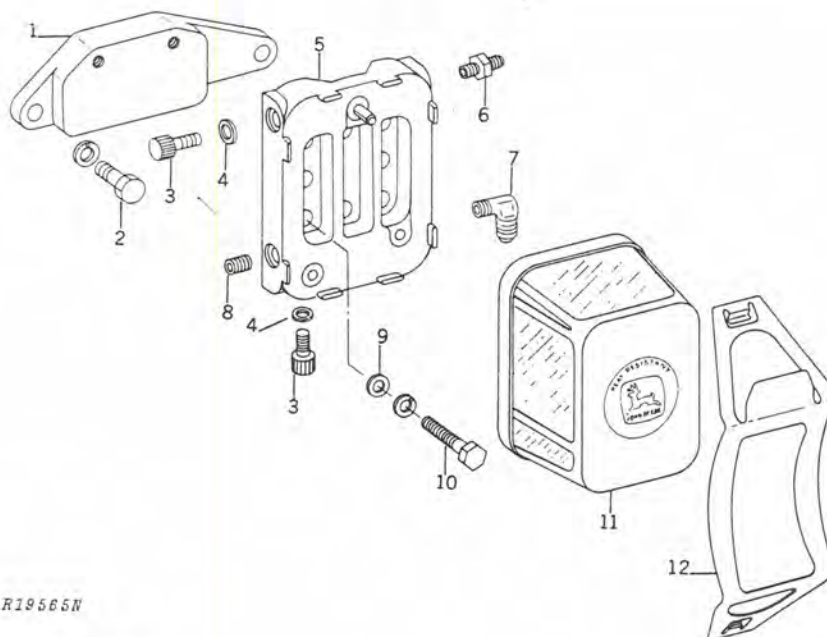


R 24684

KEY	PART NO.	ENGINE SERIAL NO.	DESCRIPTION
1	T 30738	(-)	ELBOW, 90°, 1/8"-27 NPT X 1/2"-20 (2 USED)
2	AR 57265	(-)	PIPE, FUEL PUMP TO FUEL FILTER
3	R 27346	(-)	CONNECTOR, 1/8"-27 NPT X 1/2"-20
4	R 48755	(-)	STUD, 5/16" X 1-1/2" (2 USED)
5	R 48399	(-)	O-RING
6	AR 57264	(-)	PUMP, FUEL, WITH PACKING
7	14H 785	(-)	NUT, 5/16" (2 USED)
	12H 303	(-)	WASHER, LOCK, 5/16" (2 USED)

FUEL FILTER
(6404D)

R19565

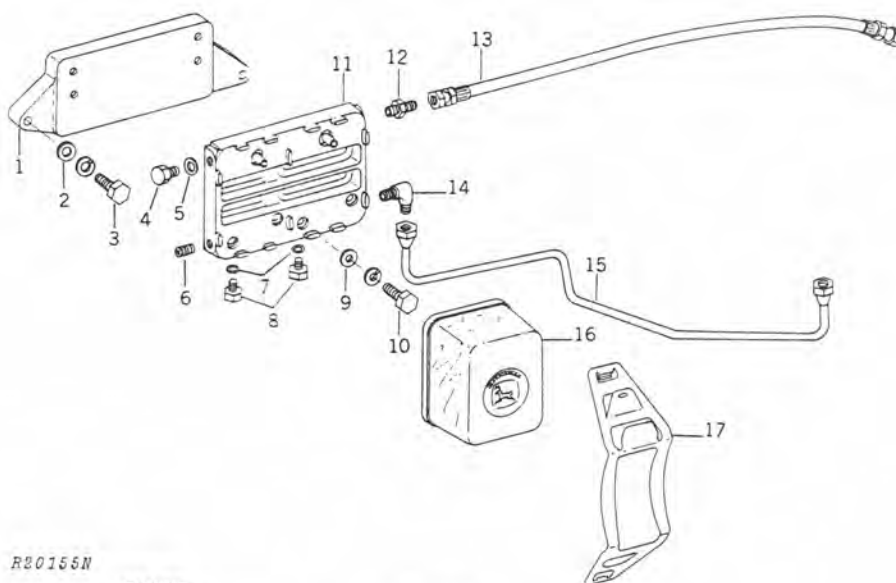


R19565N

KEY	PART NO.	ENGINE SERIAL NO.	DESCRIPTION
1	R 47433	(-)	SUPPORT
2	19H 1822 12H 293	(-)	SCREW, CAP, 7/16" X 1" (2 USED)
3	R 48071	(-)	WASHER, LOCK, 7/16" (2 USED)
4	R 26287	(-)	SCREW, BLEED (2 USED)
5	AR 50040	(-)	PACKING (2 USED) (SUB. FOR R34447)
6	R 27346	(-)	BODY, FUEL FILTER
7	T 30738	(-)	CONNECTOR, 1/8"-27 NPT X 1/2"-20
8	15H 558	(-)	ELBOW, 90°, 1/8"-27 NPT X 1/2"-20
9	24H 1289	(-)	PLUG, PIPE, HEX. CTSK., 1/8"
10	19H 118 12H 303	(-)	WASHER, 21/64" X 5/8" X .048"
11	AR 50041	(-)	SCREW, CAP, 5/16" X 1" (2 USED)
12	R 57258	(-)	WASHER, LOCK, 5/16" (2 USED)
			ELEMENT, FUEL FILTER
			SPRING, RETAINING

FUEL FILTER
(6404A, T)
(ENGINE SERIAL NO. -445569)

R20155

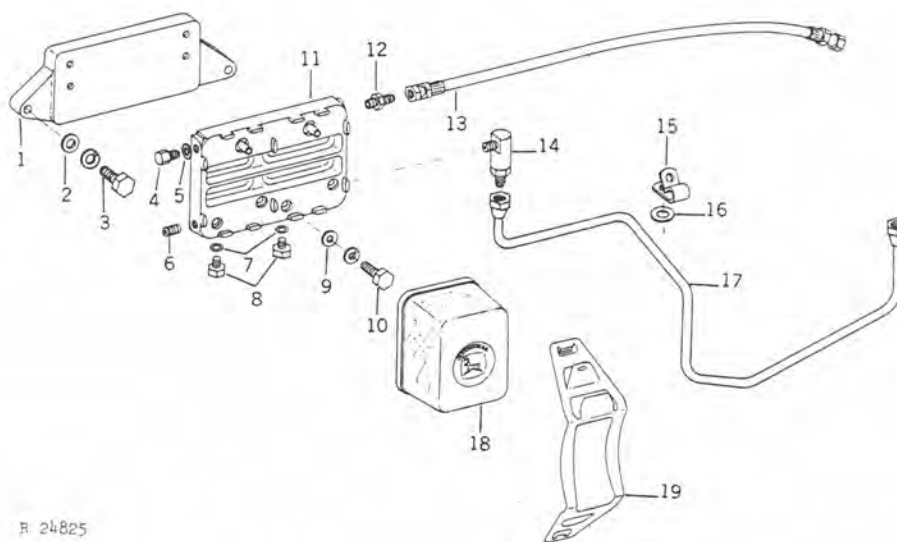


R20155N

KEY	PART NO.	ENGINE SERIAL NO.	DESCRIPTION
1	R 50427	(-)	SUPPORT, FUEL FILTER
2	24H 1323	(-)	WASHER, 15/32" X 13/16" X .090" (2 USED)
3	19H 2500	(-)	SCREW, CAP, 7/16" X 1-3/8" (2 USED)
	12H 293	(-)	WASHER, LOCK, 7/16" (2 USED)
4	R 50425	(-)	SCREW, SPECIAL
5	R 50426	(-)	PACKING
6	15H 559	(-)	PLUG, PIPE, HEX. CTSK., 1/4"
7	R 26287	(-)	PACKING (2 USED) (SUB. FOR R34447)
8	R 48071	(-)	SCREW, BLEED (2 USED)
9	24H 1136	(-)	WASHER, 11/32" X 11/16" X .060" (4 USED)
10	19H 1905	(-)	SCREW, CAP, 5/16" X 1" (4 USED)
	12H 303	(-)	WASHER, LOCK, 5/16" (4 USED)
11	AR 54590	(-)	BODY, FUEL FILTER
12	R 32136	(-)	CONNECTOR, 1/4"-18 NPT X 1/2"-20
13	AR 66454	(-)	LINE, FLEXIBLE FUEL, FUEL FILTERS TO FUEL INJECTION PUMP (SUB. FOR AR47296)
14	AR 54591	(-)	ELBOW, 90°, 1/4"-18 NPT X 1/2"-20
15	AR 61515	(-)	PIPE, FUEL, FUEL TRANSFER PUMP TO FUEL FILTERS
16	AR 50041	(-)	ELEMENT, FUEL FILTER (2 USED)
17	R 57258	(-)	SPRING, RETAINING (2 USED) (SUB. FOR R47358)

FUEL FILTER
(6404A, T)
(ENGINE SERIAL NO. 445570-)

R24825



R 24825

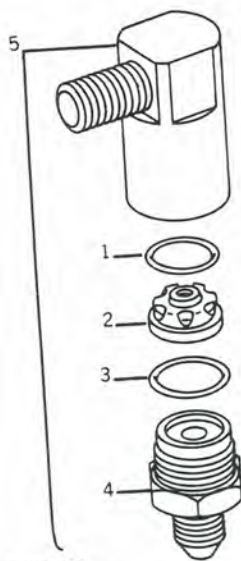
KEY	PART NO.	ENGINE SERIAL NO.	DESCRIPTION
1	R 50427	(-)	SUPPORT, FUEL FILTER
2	24H 1323	(-)	WASHER, 15/32" X 13/16" X .090" (2 USED)
3	19H 2500	(-)	SCREW, CAP, 7/16" X 1-3/8" (2 USED)
	12H 293	(-)	WASHER, LOCK, 7/16" (2 USED)
4	R 50425	(-)	SCREW, BLEED
5	R 50426	(-)	PACKING
6	15H 559	(-)	PLUG, PIPE, HEX. CTSK., 1/4"
7	R 26287	(-)	PACKING (2 USED) (SUB. FOR R34447)
8	R 48071	(-)	SCREW, DRAIN (2 USED)
9	24H 1136	(-)	WASHER, 11/32" X 11/16" X .060" (4 USED)
10	19H 1905	(-)	SCREW, CAP, 5/16" X 1" (4 USED)
	12H 303	(-)	WASHER, LOCK, 5/16" (4 USED)
11	AR 54590	(-)	BODY, FUEL FILTER
12	R 32136	(-)	CONNECTOR, 1/4"-18 NPT X 1/2"-20
13	AR 68454	(-)	LINE, FLEXIBLE FUEL, FUEL FILTERS TO FUEL INJECTION PUMP
14	AR 73888	* (-)	VALVE, FUEL CHECK (SEE PAGE 25-5 FOR SERVICE PARTS)
15	T 30367	* (-)	CLAMP
16	24H 1136	* (-)	WASHER, 11/32" X 11/16" X .060"
17	AR 73822	* (-)	PIPE, FUEL, FUEL TRANSFER PUMP TO FUEL CHECK VALVE
18	AR 50041	(-)	ELEMENT, FUEL FILTER (2 USED)
19	R 57258	(-)	SPRING, RETAINING (2 USED)

* KIT LISTED BELOW CONTAINS ALL PARTS FOLLOWED BY AN ASTERISK ON THIS PAGE AND PAGE 25-5

AR 74603 (-) KIT, FUEL CHECK VALVE

FUEL CHECK VALVE
(6404A, T)
(ENGINE SERIAL NO. 445570-)

R25745F



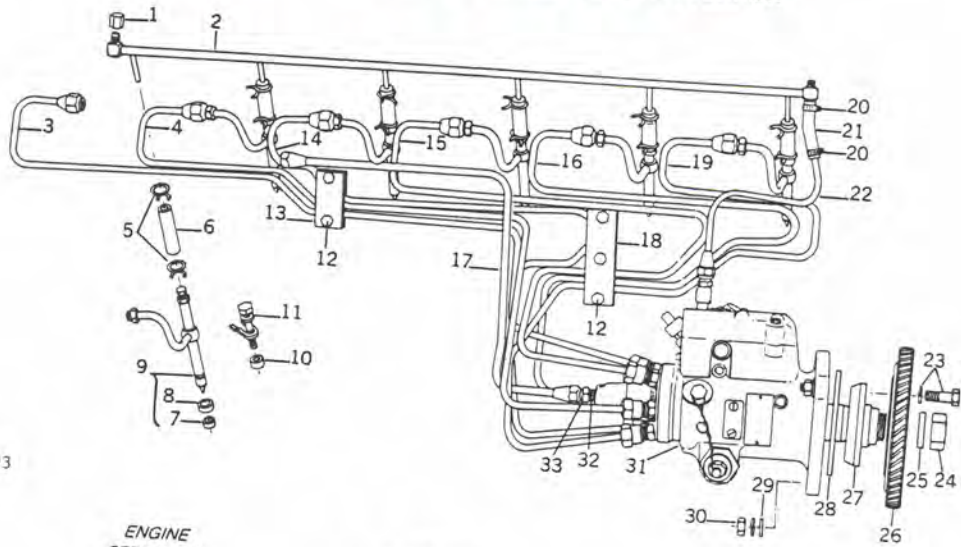
R 25745F

KEY	PART NO.	ENGINE SERIAL NO.	DESCRIPTION
1	R 375 R	(-)	O-RING
2	AR 73824	(-)	VALVE, FUEL CHECK
3	R 27166	(-)	O-RING
4	R 60863	(-)	CONNECTOR, 1/2"-20 X 13/16"-20
5	AR 73888	(-)	VALVE, FUEL CHECK, COMPLETE

* KIT LISTED BELOW CONTAINS ALL PARTS FOLLOWED BY AN ASTERISK ON THIS PAGE AND PAGE 25-4.
AR 74603 (-) KIT, FUEL CHECK VALVE

FUEL INJECTION PUMP NOZZLES, AND FUEL PIPES
 (6404D ENGINE SERIAL NO. -499999)
 CODE 1602 INJECTION PUMP, REGULAR GOVERNOR
 CODE 1603 INJECTION SYSTEM, 3%-5% GOVERNOR

13



R 24593

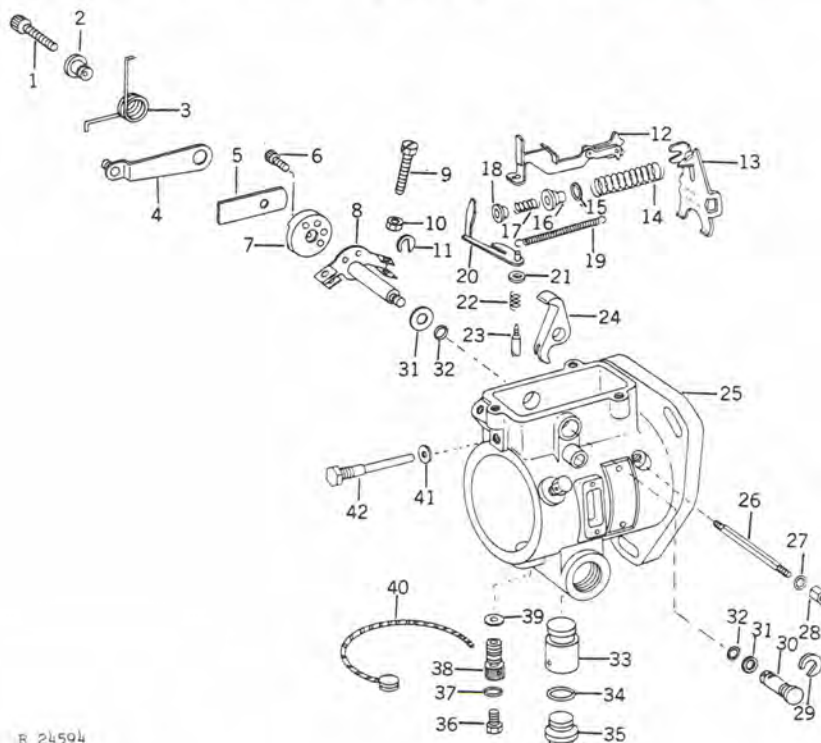
KEY	PART NO.	ENGINE SERIAL NO.	DESCRIPTION
1	R 31147	-	CAP, 37° FLARE
2	AR 57262	-	PIPE, FUEL INJECTION LEAK-OFF
3	AR 57260	-	PIPE, FUEL INJECTION, NO. 6
4	AR 57259	-	PIPE, FUEL INJECTION, NO. 5
5	R 34766	-	CLAMP (12 USED)
6	R 34765	-	BOOT (6 USED)
7	R 48000	-	SEAL (6 USED)
8	R 34764	-	WASHER, UPPER (6 USED)
9	AR 50781	-	NOZZLE, INJECTOR, WITH BOOT (9.52MM) (ROOSA MASTER NO. 1-18767) (FOR PARTS SEE PAGE 25-28)
10	R 34761	-	SPACER (6 USED)
11	R 34760	-	CLAMP WITH SCREW (6 USED)
12	19H 1914	-	SCREW, CAP, 1/4" X 1" (5 USED)
13	R 26728	-	CLAMP, HALF, THREADED
	R 26789	-	CLAMP, HALF
	R 26790	-	CUSHION
14	AR 57258	-	PIPE, FUEL INJECTION, NO. 4
15	AR 57257	-	PIPE, FUEL INJECTION, NO. 3
16	AR 57256	-	PIPE, FUEL INJECTION, NO. 2
17	AR 57254	-	PIPE, FUEL FILTER TO FUEL INJECTION PUMP
18	R 48358	-	CLAMP, HALF, THREADED
	R 48360	-	CLAMP, HALF
	R 48359	-	CUSHION
19	AR 57255	-	PIPE, FUEL INJECTION, NO. 1
	R 28789	-	CLAMP
20	AR 48236	-	CLAMP, HOSE (2 USED)
21	-	HOSE, 2-5/8" (67MM) (MAKE FROM R32639)
22	AR 57263	-	PIPE, FUEL INJECTION LEAK-OFF TO PUMP
	R 35352	-	CONNECTOR, 1/8"-27 NPT X 7/16"-20
23	AR 59115	-	SCREW, SPECIAL CAP, WITH WASHER (3 USED)
24	R 54233	-	NUT, SPECIAL
25	R 54228	-	WASHER
26	AR 55487	-	GEAR, FUEL INJECTION DRIVE (MATCHED SET)
27	R 54250	-	HUB, GEAR
28	R 54229	-	SEAL, PUMP FLANGE
29	24H 1292	-	WASHER, 11/32" X 3/4" X .120" (3 USED)
30	14H 785	-	NUT, 5/16" (3 USED)
	12H 303	-	WASHER, LOCK, 5/16" (3 USED)

FUEL INJECTION PUMP NOZZLES, AND FUEL PIPES - CONTINUED
 (6404D ENGINE SERIAL NO. -499999)
 CODE 1602 INJECTION PUMP, REGULAR GOVERNOR
 CODE 1603 INJECTION SYSTEM, 3%-5% GOVERNOR

KEY	PART NO.	ENGINE SERIAL NO.	CODE	DESCRIPTION
I 31	AR 65465	(- 437914)	1602	PUMP, FUEL INJECTION (ROOSA-MASTER NO. DM2633JTX001 OR DM2633JT2660) (FOR PARTS SEE PAGES 25-8, 25-12, 25-14, 25-16 AND 25-18)
I	AR 65465	(437915 -)	1602	PUMP, FUEL INJECTION (ROOSA-MASTER NO. DM2633MA2872) (FOR PARTS SEE PAGES 25-8, 25-12, 25-14, 25-16 AND 25-18)
	AR 66993	(-)	1603	PUMP, FUEL INJECTION (ROOSA-MASTER NO. DM2633MK2875) (FOR PARTS SEE PAGES 25-10, 25-12, 25-14, 25-16 AND 25-18)
32	R 26286	(-)		O-RING
33	R 27272	(-)		CONNECTOR
* KIT LISTED BELOW CONTAINS ALL PARTS FOLLOWED BY AN ASTERISK ON THIS PAGE AND PAGES 25-6, 25-9, 25-11, 25-12, 25-14, 25-15, 25-16, AND 25-18				
..	AR 63029	(-)		KIT, GASKET OVERHAUL

FUEL INJECTION PUMP LINKAGE
 (6404D ENGINE SERIAL NO. -499999)
 CODE 1602 INJECTION SYSTEM, REGULAR GOVERNOR

R24594



R 24594

KEY	PART NO.	ENGINE SERIAL NO.	DESCRIPTION
1	T 19859	(-)	SCREW, THROTTLE LEVER SPRING
2	T 17950	(-)	RETAINER, THROTTLE LEVER
3	T 17949	(-)	SPRING, THROTTLE LEVER
4	AR 46843	(-)	LEVER, THROTTLE
5	T 19860	(-)	ARM, ADJUSTING
6	T 11917	(-)	SCREW, ADJUSTING LEVER
7	T 19861	(-)	SPACER, ARM
8	AR 51717	(-)	SHAFT, THROTTLE
9	T 11920	(-)	SCREW, LEVER ADJUSTING
10	T 11921	(-)	NUT, ADJUSTING SCREW (2 USED)
11	T 11929	(-)	CLIP, SHAFT RETAINING
12	AR 51719	(-)	HOOK, LINKAGE
	AR 28602	(-)	LINK, GOVERNOR HOOK, ADJUSTING
	R 30719	(-)	WASHER, GOVERNOR LINK HOOK
	R 30718	(-)	SCREW, GOVERNOR LINK HOOK
	R 48516	(-)	HOOK, GOVERNOR LINKAGE
13	R 54245	(-)	ARM, GOVERNOR
14	R 41203	(-)	SPRING, GOVERNOR CONTROL
15	T 17952	(-)	SPACER, GOVERNOR SPRING
16	T 11924	(-)	RETAINER, SPRING
17	T 11913	(-)	SPRING, IDLING
18	T 11914	(-)	GUIDE, IDLING SPRING
19	T 11911	(-)	SPRING, GOVERNOR LINKAGE
20	AR 30736	(-)	ARM, METERING VALVE
21	R 30732	(-)	SHIM, METERING VALVE
22	R 58422	(-)	SPRING, METERING VALVE
23	R 54238	(-)	VALVE, METERING
24	T 11927	(-)	LEVER, THROTTLE SHAFT
25	AR 61989	(-)	HOUSING, PUMP
26	T 11925	(-)	SHAFT, PIVOT

FUEL INJECTION PUMP LINKAGE - CONTINUED
 (6404D ENGINE SERIAL NO. -499999)
 CODE 1602 INJECTION SYSTEM, REGULAR GOVERNOR

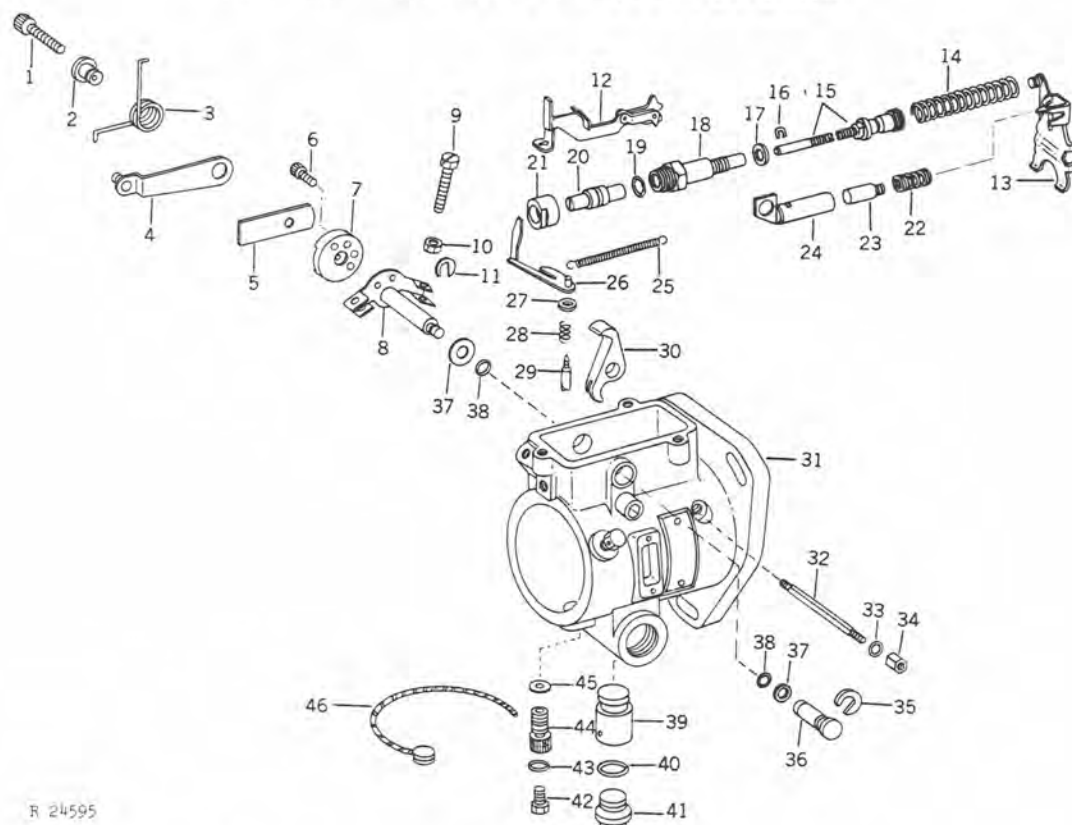
KEY	PART NO.	ENGINE SERIAL NO.	DESCRIPTION
I 27	R 34812	* (-)	SEAL, PIVOT SHAFT (2 USED)
28	T 11932	(-)	NUT, PIVOT SHAFT (2 USED)
29	T 11929	(-)	CLIP, SHAFT RETAINING
30	R 48515	(-)	SHAFT, SHUT-OFF
31	T 11915	* (-)	SEAL, THROTTLE SHAFT (2 USED)
32	T 15720	* (-)	WASHER, THROTTLE SHAFT (2 USED)
33	R 40703	(-)	SCREW, CAM LOCATING
34	T 15712	* (-)	SEAL, ADVANCE PLUG
35	R 40707	(-)	PLUG, ADVANCE
36	R 54254	(-)	SCREW, SPECIAL
37	T 17951	* (-)	SEAL
38	R 54251	(-)	SCREW, SPECIAL
39	T 11899	* (-)	SEAL, HEAD LOCATING SCREW
40	T 11877	(-)	WIRE, SEALING
41	T 11943	(-)	WASHER, GUIDE STUD
42	T 11923	(-)	STUD, GUIDE
I ..	AR 65465	(- 437914)	PUMP, FUEL INJECTION (ROOSA-MASTER NO. DM2633JTX001 OR DM2633JT2660) (FOR PARTS SEE PAGES 25-12, 25-14, 25-16 AND 25-18)
I ..	AR 65465	(437915 -)	PUMP, FUEL INJECTION (ROOSA-MASTER NO. DM2633MA2872) (FOR PARTS SEE PAGES 25-12, 25-14, 25-16 AND 25-18)

* KIT LISTED BELOW CONTAINS ALL PARTS FOLLOWED BY AN ASTERISK ON THIS PAGE AND PAGES 25-6, 25-11, 25-12, 25-14, 25-15, 25-16 AND 25-18

..	AR 63029	(-)	KIT, GASKET OVERHAUL
----	----------	-------	----------------------

FUEL INJECTION PUMP LINKAGE
 (6404D ENGINE SERIAL NO. -499999)
 CODE 1603 INJECTION SYSTEM, 3%-5% GOVERNOR

R24595



R 24595

KEY	PART NO.	ENGINE SERIAL NO.	DESCRIPTION
1	T 19859	-	SCREW, THROTTLE LEVER SPRING
2	T 17950	-	RETAINER, THROTTLE LEVER
3	T 17949	-	SPRING, THROTTLE LEVER
4	AR 46843	-	LEVER, THROTTLE
5	T 19860	-	ARM, ADJUSTING
6	T 11917	-	SCREW, ADJUSTING LEVER
7	T 19861	-	SPACER, ARM
8	AR 71186	-	SHAFT, THROTTLE
9	T 11920	-	SCREW, LEVER ADJUSTING
10	T 11921	-	NUT, ADJUSTING SCREW (2 USED)
11	T 11929	-	CLIP, SHAFT RETAINING
12	AR 73614	-	HOOK LINKAGE
	R 30719	-	LINK, GOVERNOR HOOK, ADJUSTING
	R 30718	-	WASHER, GOVERNOR LINK HOOK
	R 48516	-	SCREW, GOVERNOR LINK HOOK
13	AR 73609	-	HOOK, GOVERNOR LINKAGE
14	R 60710	-	ARM, GOVERNOR, ASSEMBLY
15	AR 73607	-	SPRING, CONTROL
16	R 57871	-	ROD, CONTROL, ASSEMBLY
17	T 11943	-	PIN, CONTROL SPRING
18	R 60711	-	WASHER, CONTROL ROD GUIDE
19	T 26256	-	GUIDE, CONTROL ROD
20	AR 73608	-	SEAL, ADJUSTING CAP
21	R 60713	-	CAP, ADJUSTING
22	R 60712	-	CAP, DROOP CONTROL LOCKING
23	AR 73610	-	SPRING, DAMPER
24	AR 73611	-	PISTON, DAMPER
25	T 11911	-	BARREL, DAMPER
26	AR 30736	-	SPRING, GOVERNOR LINKAGE
		-	ARM, METERING VALVE

FUEL INJECTION PUMP LINKAGE - CONTINUED
(6404D ENGINE SERIAL NO. -499999)
CODE 1603 INJECTION SYSTEM, 3%-5% GOVERNOR

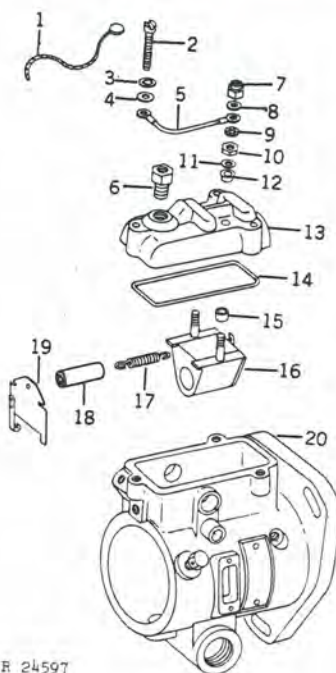
KEY	PART NO.	ENGINE SERIAL NO.	DESCRIPTION
27	R 30732	(-)	SHIM, METERING VALVE
28	R 58422	(-)	SPRING, METERING VALVE
29	R 60714	(-)	VALVE, METERING
30	T 11927	(-)	LEVER, THROTTLE SHAFT
31	AR 61989	(-)	HOUSING, PUMP
32	T 11925	(-)	SHAFT, PIVOT
33	R 34812	* (-)	SEAL, PIVOT SHAFT (2 USED)
34	T 11932	(-)	NUT, PIVOT SHAFT (2 USED)
35	T 11929	(-)	CLIP, SHAFT RETAINING
36	R 59079	(-)	SHAFT, SHUT-OFF
37	T 11915	* (-)	SEAL, THROTTLE SHAFT (2 USED)
38	T 15720	* (-)	WASHER, THROTTLE SHAFT (2 USED)
39	R 40703	(-)	SCREW, CAM LOCATING
40	T 15712	* (-)	SEAL, ADVANCE PLUG
41	R 40707	(-)	PLUG, ADVANCE
42	R 54254	(-)	SCREW, SPECIAL
43	T 17951	* (-)	SEAL
44	R 54251	(-)	SCREW, SPECIAL
45	T 11899	* (-)	SEAL, HEAD LOCATING SCREW
46	T 11877	(-)	WIRE, SEALING
..	AR 66993	(-)	PUMP, FUEL INJECTION (ROOSA-MASTER NO. DM2633MK2875) (FOR PARTS SEE PAGES 25-12, 25-14, 25-16 AND 25-18)

* KIT LISTED BELOW CONTAINS ALL PARTS FOLLOWED BY AN ASTERISK ON THIS PAGE AND PAGES 25-6, 25-9, 25-12, 25-14, 25-15, 25-16 AND 25-18

.. AR 63029 (-) KIT, GASKET OVERHAUL

FUEL INJECTION PUMP ELECTRIC SHUT-OFF
 (6404D ENGINE SERIAL NO. -499999)
 CODE 1602 INJECTION SYSTEM, REGULAR GOVERNOR
 CODE 1603 INJECTION SYSTEM, 3%-5% GOVERNOR

R24597



R 24597

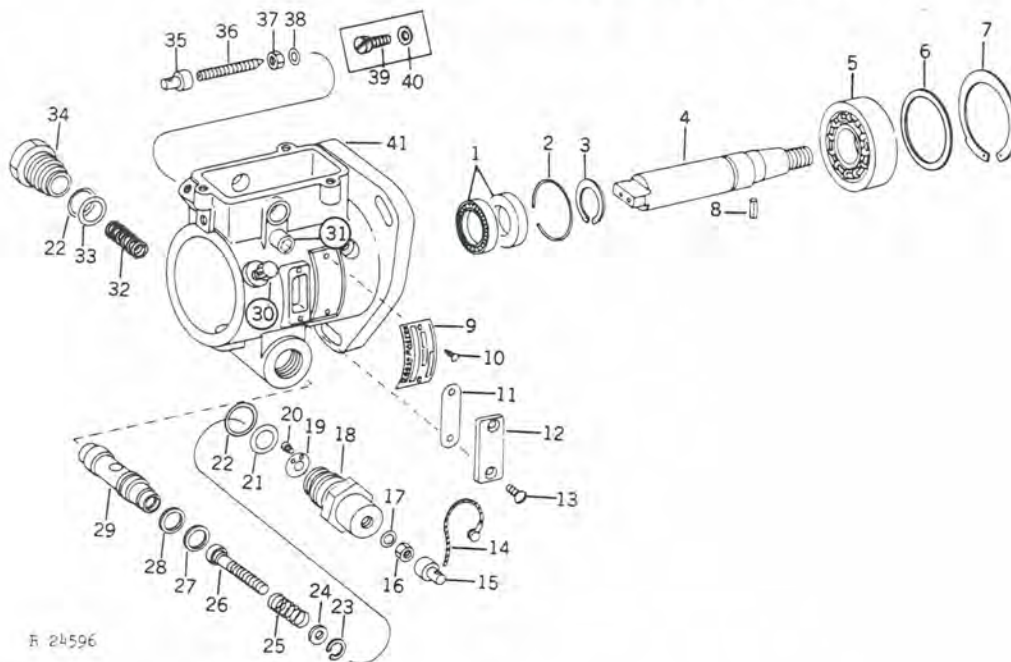
KEY	PART NO.	ENGINE SERIAL NO.	CODE	DESCRIPTION
1	T 11877	(WIRE, SEALING
2	T 15721	-		SCREW, SPECIAL MACHINE (3 USED)
3	12H 295	-		WASHER, LOCK, INTERNAL TOOTH, NO. 10 (3 USED)
4	T 15715	-		WASHER, PLAIN (3 USED)
5	AR 49542	-		WIRE ASSEMBLY
6	R 36535	-		CONNECTOR
7	T 19977	-		NUT, LOCK, TERMINAL CONTACT (2 USED)
8	R 47049	-		WASHER, PLAIN
9	R 47077	-		WASHER, LOCK, INTERNAL TOOTH
10	T 11938	-		NUT, TERMINAL CONTACT (2 USED)
11	R 47049	-		WASHER, PLAIN (2 USED)
12	T 11936	-		WASHER, INSULATING (2 USED)
13	T 11919	-		COVER
14	T 11918	*		PACKING
15	T 11937	-		TUBE, COVER INSULATING (2 USED)
16	AR 48219	-		SOLENOID
17	T 11935	-		SPRING, SHUT-OFF ARM
18	R 48795	-		TUBE
19	AT 11924	-		1602 ARM, SHUT-OFF
	AR 73613	-		1603 ARM, SHUT-OFF
20	AR 61989	-		HOUSING, PUMP
	AR 65465	(- 437914)	1602	PUMP, FUEL INJECTION (ROOSA-MASTER NO. DM2633JTX001 OR DM26334T2660) (FOR PARTS SEE PAGES 25-8, 25-14, 25-16 AND 25-18)
I	AR 65465	(437915 -)	1602	PUMP, FUEL INJECTION (ROOSA-MASTER NO. DM2633MA2872) (FOR PARTS SEE PAGES 25-8, 25-14, 25-16 AND 25-18)
	AR 66993	(-)	1603	PUMP, FUEL INJECTION (ROOSA-MASTER NO. DM2633MK2875) (FOR PARTS SEE PAGES 25-10, 25-14, 25-16 AND 25-18)
	AR 63029	(-)		KIT, GASKET OVERHAUL

* KIT LISTED BELOW CONTAINS ALL PARTS FOLLOWED BY AN ASTERISK ON THIS PAGE AND PAGES 25-6, 25-9, 25-11, 25-14, 25-15, 25-16 AND 25-18

MEMORANDA

FUEL INJECTION PUMP HOUSING DRIVE SHAFT AND AUTOMATIC ADVANCE
 (6404D ENGINE SERIAL NO. -499999)
 CODE 1602 INJECTION SYSTEM, REGULAR GOVERNOR
 CODE 1603 INJECTION SYSTEM, 3%-5% GOVERNOR

R24596



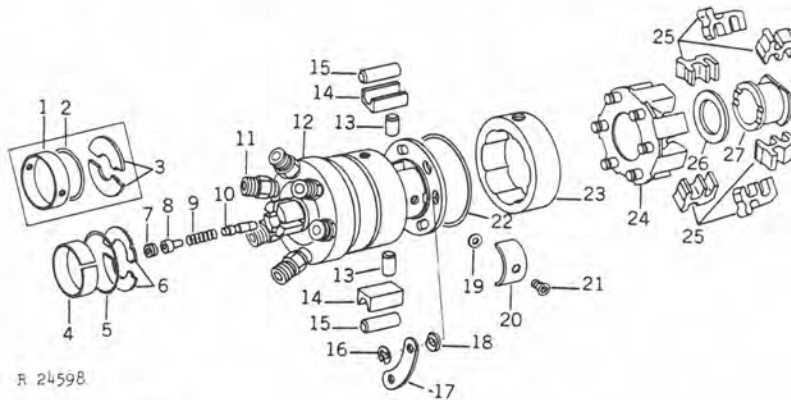
KEY	PART NO.	ENGINE SERIAL NO.	DESCRIPTION
1	AR 72052	*	SEAL, DRIVE SHAFT (2 USED)
2	R 54225	(RING, SEAL RETAINING
3	R 54227	-	RING, RETAINING
4	R 54243	-	SHAFT, DRIVE
5	AR 61990	-	BEARING, BALL
6	R 54235	-	WASHER, DRIVE SHAFT SPRING
7	R 54230	-	RING, RETAINING
8	R 54232	-	PIN, SPRING
9	T 11875	-	PLATE, NAME
10	T 11876	-	SCREW, NAME PLATE (2 USED)
11	T 11883	*	GASKET, TIMING LINE COVER
12	T 11882	-	COVER, TIMING LINE
13	R 54260	-	SCREW, SPECIAL (2 USED)
14	T 11877	-	WIRE, SEALING
15	T 17117	-	CAP, ADJUSTING SCREW
16	T 17122	-	NUT, ADJUSTING SCREW
17	T 11915	*	SEAL, ADJUSTING SCREW
18	R 54255	-	PLUG, PISTON CONTROL
19	R 56484	-	VALVE, REED
20	R 54224	-	SCREW, SOCKET CAP (2 USED)
21	T 17135	-	SEAL, PISTON HOLE PLUG
22	T 15710	*	SEAL, PISTON HOLE PLUG (2 USED)
23	R 48523	-	RING, RETAINING
24	R 48517	-	WASHER, ADVANCE TRIMMER SPRING
25	T 17119	-	SPRING, ADVANCE TRIMMER
26	R 48521	-	SCREW, ADVANCE ADJUSTING
27	R 49211	-	RING, PISTON
28	R 34635	*	SEAL, PISTON RING
29	R 54247	-	PISTON, ADVANCE
30	R 30714	-	SCREW, HEAD LOCKING
31	R 54627	-	SCREW, SOCKET CAP (2 USED)
32	R 36648	-	SPRING, ADVANCE
33	R 56396	*	SEAL, PISTON HOLE PLUG

FUEL INJECTION PUMP HOUSING DRIVE SHAFT AND AUTOMATIC ADVANCE - CONT.
 (6404D ENGINE SERIAL NO. -499999)
 CODE 1602 INJECTION SYSTEM, REGULAR GOVERNOR
 CODE 1603 INJECTION SYSTEM, 3%-5% GOVERNOR

KEY	PART NO.	ENGINE SERIAL NO.	CODE	DESCRIPTION
34	R 48520	(-)		PLUG, PISTON HOLE
35	T 17117	(-)	1602	CAP, TORQUE SCREW
36	T 17124	(-)	1602	SCREW, TORQUE
37	T 17122	(-)	1602	NUT, TORQUE SCREW
38	T 11915	* (-)	1602	SEAL, TORQUE SCREW
39	T 11930	(-)	1603	SCREW, TORQUE
40	T 11878	(-)	1603	SEAL, TORQUE SCREW
41	AR 61989	(-)		HOUSING PUMP
I ..	AR 65465	(- 437914)	1602	PUMP, FUEL INJECTION (ROOSA-MASTER NO. DM26334TX001 OR DM26334T2660) (FOR PARTS SEE PAGES 25-8, 25-12, 25-16 AND 25-18)
I ..	AR 65465	(437915 -)	1602	PUMP, FUEL INJECTION (ROOSA-MASTER NO. DM2633MA2872) (FOR PARTS SEE PAGES 25-8, 25-12, 25-16 AND 25-18)
..	AR 66993	(-)	1603	PUMP, FUEL INJECTION (ROOSA-MASTER NO. DM2633MK2875) (FOR PARTS SEE PAGES 25-10, 25-12, 25-16 AND 25-18)
* KIT LISTED BELOW CONTAINS ALL PARTS FOLLOWED BY AN ASTERISK ON THIS PAGE AND PAGES 25-6, 25-9, 25-11, 25-12, 25-14, 25-16 AND 25-18)				
..	AR 63029	(-)		KIT, GASKET OVERHAUL

FUEL INJECTION PUMP HYDRAULIC HEAD, ROTOR AND GOVERNOR
 (6404D ENGINE SERIAL NO. -499999)
 CODE 1602 INJECTION SYSTEM, REGULAR GOVERNOR
 CODE 1603 INJECTION SYSTEM, 3%-5% GOVERNOR

R24598



R 24598

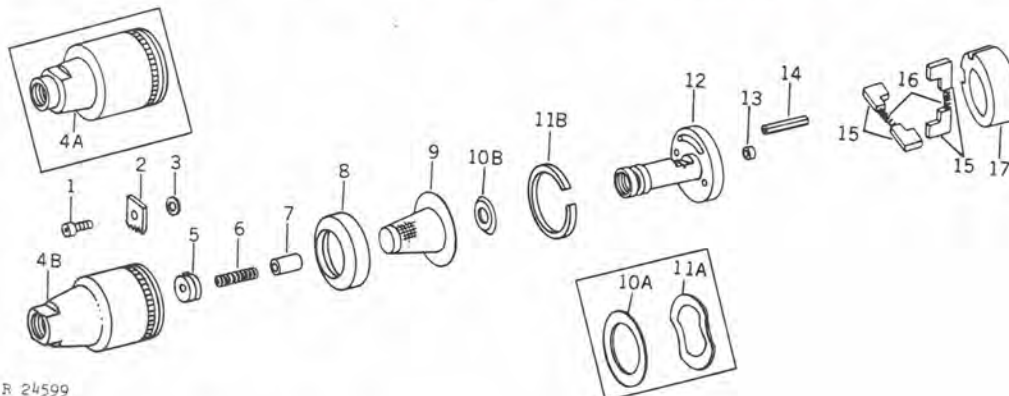
KEY	PART NO.	ENGINE SERIAL NO.	DESCRIPTION
1	R 54257	(- 437914)	RING, LINER LOCATING
2	T 26236	(- 437914)	SEAL, TRANSFER PUMP
3	R 54248	(- 437914)	RETAINER, ROTOR (2 USED)
4	R 61122	(437915 -)	RING, LINER LOCATING
5	R 61124	(437915 -)	SEAL, TRANSFER PUMP
6	R 61121	(437915 -)	RETAINER, ROTOR (2 USED)
7	R 30737	(-)	SCREW, DELIVERY VALVE STOP
8	T 26223	(-)	STOP, DELIVERY VALVE
9	R 30735	(-)	SPRING, DELIVERY VALVE
10	R 36551	(-)	VALVE, DELIVERY
	R 36552	(-)	VALVE, DELIVERY (OVERSIZE)
11	R 57137	(-)	CONNECTOR, FUEL LINE
12	AR 61994	(-)	HEAD AND ROTOR, HYDRAULIC, ASSEMBLY
	T 11926	(-)	SCREW, HEAD PLUG
	R 30725	(-)	SCREW, HEAD PLUG
	R 54626	(-)	WIRE, VENT
13	R 36547	(-)	PLUNGER, ROTOR "A" (2 USED)
	R 36548	(-)	PLUNGER, ROTOR "B" (2 USED)
	R 36549	(-)	PLUNGER, ROTOR "C" (2 USED)
	R 36550	(-)	PLUNGER, ROTOR "D" (2 USED)
14	R 56483	(-)	SHOE, CAM ROLLER (2 USED)
15	T 11886	(-)	ROLLER, CAM (2 USED)
16	R 54242	(-)	RING, RETAINING (6 USED)
17	R 54252	(-)	RETAINER, CUSHION (3 USED)
18	R 54249	(-)	CUSHION, GOVERNOR WEIGHT TRANSFER (6 USED)
19	T 31124	(-)	SHIM, .005" (0.13MM) (USE AS REQUIRED)
	T 31125	(-)	SHIM, .006" (0.15MM) (USE AS REQUIRED)
	T 31126	(-)	SHIM, .007" (0.18MM) (USE AS REQUIRED)
	T 31127	(-)	SHIM, .008" (0.20MM) (USE AS REQUIRED)
	T 31128	(-)	SHIM, .009" (0.23MM) (USE AS REQUIRED)
20	T 11888	(-)	SPRING, LEAF
21	T 11887	(-)	SCREW, LEAF SPRING
22	T 11891	(-)	SEAL, HEAD
23	R 48531	(-)	RING, CAM
24	AR 61993	(-)	RETAINER, GOVERNOR WEIGHT
25	R 54239	(-)	WEIGHT, GOVERNOR (6 USED)
26	R 54240	(-)	WASHER, GOVERNOR SLEEVE THRUST
27	R 54241	(-)	SLEEVE, GOVERNOR THRUST

FUEL INJECTION PUMP HYDRAULIC HEAD, ROTOR AND GOVERNOR - CONTINUED
 (6404D ENGINE SERIAL NO. -499999)
 CODE 1602 INJECTION SYSTEM, REGULAR GOVERNOR
 CODE 1603 INJECTION SYSTEM, 3%-5% GOVERNOR

KEY	PART NO.	ENGINE SERIAL NO.	CODE	DESCRIPTION
..	AR 65465	(- 437914)	1602	PUMP, FUEL INJECTION (ROOSA-MASTER NO. DM2633JTX001 OR DM2633JT2660) (FOR PARTS SEE PAGES 25-8, 25-12, 25-14 AND 25-18)
..	AR 65465	(437915 -)	1602	PUMP, FUEL INJECTION (ROOSA-MASTER NO. DM2633MA2872) (FOR PARTS SEE PAGES 25-8, 25-12, 25-14 AND 25-18)
..	AR 66993	(-)	1603	PUMP, FUEL INJECTION (ROOSA-MASTER NO. DM2633MK2875) (FOR PARTS SEE PAGES 25-10, 25-12, 25-14 AND 25-18)
* KIT LISTED BELOW CONTAINS ALL PARTS FOLLOWED BY AN ASTERISK ON THIS PAGE AND PAGES 25-6, 25-9, 25-11, 25-12, 25-14, 25-15, 25-16 AND 25-18				
..	AR 63029	(-)		KIT, GASKET OVERHUAL

FUEL INJECTION PUMP TRANSFER PUMP
 (6404D ENGINE SERIAL NO. -499999)
 CODE 1602 INJECTION SYSTEM, REGULAR GOVERNOR
 CODE 1603 INJECTION SYSTEM, 3%-5% GOVERNOR

R24599

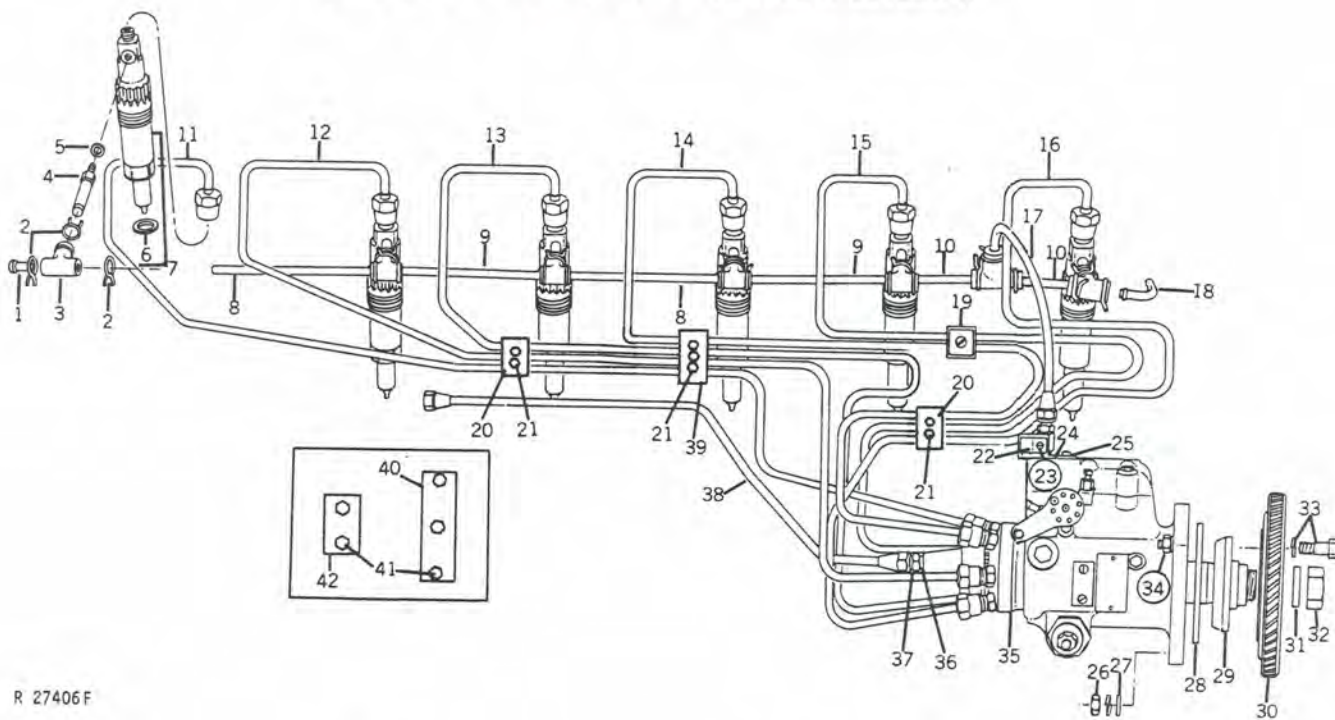


R 24599

KEY	PART NO.	ENGINE SERIAL NO.	CODE	DESCRIPTION
1	R 54261	(-)		SCREW, LOCKING PLATE
2	R 54259	(-)		PLATE, LOCK
3	R 54628	(-)		WASHER
4A	R 57599	(- 437914)		CAP, TRANSFER PUMP END
4B	R 61123	(437915 -)		CAP, TRANSFER PUMP END
5	R 34623	(-)		PLUG, END PLATE
6	R 54237	(-)		SPRING, REGULATING
7	R 54253	(-)		PISTON, REGULATING
8	R 54222	(-)		SEAL, INLET FILTER SCREEN
9	R 54223	(- 437914)		SCREEN, INLET FILTER
10A	R 54246	(437915 -)		SCREEN, INLET FILTER
10B	R 61120	(437915 -)		WASHER, FILTER SCREEN RETAINING
11A	R 54234	(- 437914)		WASHER, FILTER SCREEN RETAINING
11B	R 61119	(437915 -)		WASHER, TRANSFER PUMP SPRING
12	AR 61995	(-)		WASHER, TRANSFER PUMP SPRING
13	R 54231	(-)		REGULATOR, TRANSFER PUMP
14	R 54226	(-)		SEAL, TRANSFER PUMP REGULATING SLEEVE
15	AR 73828	(-)		PIN, SPRING
	AR 73829	(-)		BLADE, TRANSFER PUMP, STANDARD
16	R 34630	(-)		BLADE, TRANSFER PUMP, OVERSIZE
17	R 54244	(-)		SPRING (2 USED)
1	AR 65465	(- 437914)	1602	LINER, TRANSFER PUMP
1	AR 65465	(437915 -)	1602	PUMP, FUEL INJECTION (ROOSA-MASTER NO. DM2633JTX001 OR DM2633JT2660) (FOR PARTS SEE PAGES 25-8, 25-12, 25-14 AND 25-16)
1	AR 66993	(-)	1603	PUMP, FUEL INJECTION (ROOSA-MASTER NO. DM2633MA2872) (FOR PARTS SEE PAGES 25-8, 25-12, 25-14 AND 25-16)
1	AR 66993	(-)	1603	PUMP, FUEL INJECTION (ROOSA-MASTER NO. DM2633MK2875) (FOR PARTS SEE PAGES 25-10, 25-12, 25-14 AND 25-16)
	AR 63029	(-)		* KIT LISTED BELOW CONTAINS ALL PARTS FOLLOWED BY AN ASTERISK ON THIS PAGE AND PAGES 25-6, 25-9, 25-11, 25-12, 25-14, 25-15 AND 25-16
	AR 63029	(-)		KIT, GASKET OVERHAUL

MEMORANDA

FUEL INJECTION PUMP, NOZZLES AND FUEL PIPES
 (6404D ENGINE SERIAL NO. 500000-)
 CODE 1602 INJECTION SYSTEM, REGULAR GOVERNOR



R 27406F

KEY	PART NO.	ENGINE SERIAL NO.	DESCRIPTION
1	16H 644	(-)	RIVET, PAN HD.
2	R 34766	(-)	CLAMP (21 USED)
3	T 23425	(-)	BOOT, NOZZLE LEAK-OFF (7 USED)
4	R 59293	(-)	CONNECTOR, SPECIAL (6 USED)
5	R 59294	(-)	WASHER, ALUMINUM (6 USED)
6	R 59104	(-)	WASHER, ALUMINUM (6 USED)
7	AR 79686	(-)	NOZZLE, FUEL INJECTION WITH WASHER AND O-RING (6 USED) (FOR PARTS SEE PAGE 25-29)
8	R 60877	(-)	TUBE, FUEL INJECTION LEAK-OFF (2 USED)
9	R 60876	(-)	TUBE, FUEL INJECTION LEAK-OFF (2 USED)
10	R 62245	(-)	TUBE, FUEL INJECTION LEAK-OFF (2 USED)
11	AR 70658	(-)	PIPE, FUEL INJECTION, NO. 6
12	AR 70657	(-)	PIPE, FUEL INJECTION, NO. 5
13	AR 70656	(-)	PIPE, FUEL INJECTION, NO. 4
14	AR 70655	(-)	PIPE, FUEL INJECTION, NO. 3
15	AR 70654	(-)	PIPE, FUEL INJECTION, NO. 2
16	AR 70653	(-)	PIPE, FUEL INJECTION, NO. 1
17	AR 76885	(-)	PIPE, FUEL INJECTION LEAK-OFF TO PUMP
18	R 35352	(-)	CONNECTOR
19	R 54088	(-)	TUBE, FUEL INJECTION LEAK-OFF TO TANK
19	R 58186	(-)	CLAMP, HALF (2 USED)
19	R 61144	(-)	RETAINER, CLAMP
19	R 59305	(-)	REINFORCEMENT
19	12H 1312	(-)	SCREW, MACH., NO. 10
19	12H 246	(-)	WASHER, LOCK, NO. 10
20	R 48358	(-)	CLAMP, HALF, THREADED
20	R 48360	(-)	CLAMP, HALF
20	R 48359	(-)	CUSHION
20	R 59297	(XXXXX-)	CLAMP, HALF (4 USED)
20	R 59298	(XXXXX-)	REINFORCEMENT (2 USED)
20	R 61145	(XXXXX-)	RETAINER, CLAMP, THREADED (2 USED)

FUEL INJECTION PUMP, NOZZLES AND FUEL PIPES - CONTINUED
(6404D ENGINE SERIAL NO. 500000-)
CODE 1602 INJECTION SYSTEM, REGULAR GOVERNOR

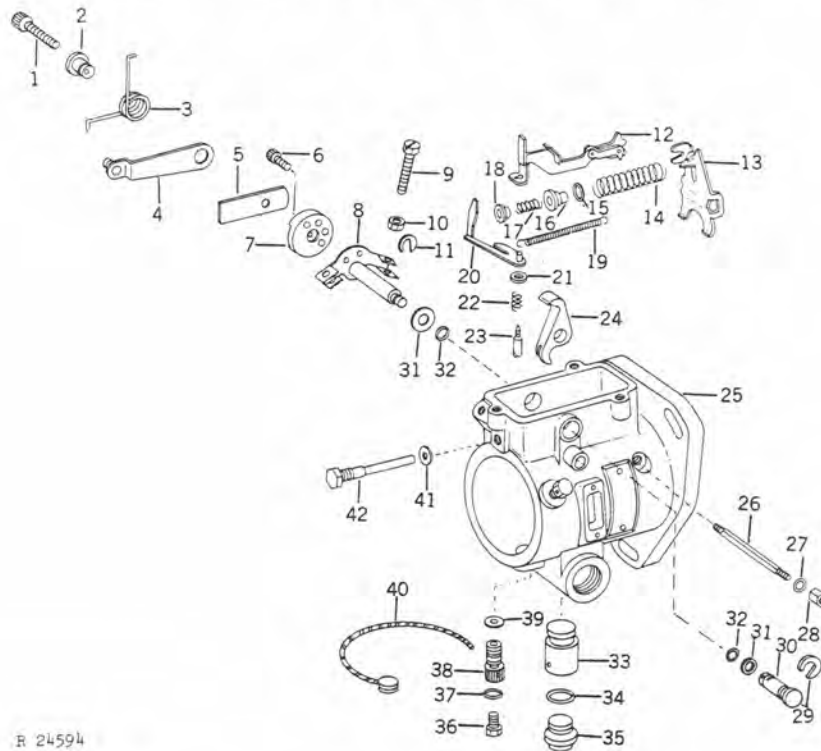
KEY	PART NO.	ENGINE SERIAL NO.	DESCRIPTION
21	19H 1914	(-)	SCREW, CAP, 1/4" X 1" (5 USED)
22	R 53300	(-)	CLIP
23	37H 133	(-)	SCREW, TAPPING, NO. 8 X 5/8"
24	R 53299	(-)	BRACKET, FUEL SHUT-OFF
25	19H 3204	(-)	SCREW, MACH., NO. 10 X 5/8" (2 USED)
	12H 246	(-)	WASHER, LOCK, NO. 10 (2 USED)
26	14H 785	(-)	NUT, 5/16" (3 USED)
	12H 303	(-)	WASHER, LOCK, 5/16" (3 USED)
27	24H 1292	(-)	WASHER, 11/32" X 3/4" X .120" (3 USED)
28	R 54229	(-)	SEAL, PUMP FLANGE
29	R 54250	(-)	HUB, GEAR
30	AR 55487	(-)	GEAR, FUEL INJECTION DRIVE (MATCHED SET)
31	R 54228	(-)	WASHER
32	R 54233	(-)	NUT, SPECIAL
33	AR 59115	(-)	SCREW, SPECIAL CAP, WITH WASHER (3 USED)
34	14H 785	(-)	NUT, 5/16" (3 USED)
	12H 303	(-)	WASHER, LOCK, 5/16" (3 USED)
	24H 1292	(-)	WASHER, 11/32" X 3/4" X .120" (3 USED)
35	AR 73526	(-)	PUMP, FUEL INJECTION (ROOSA-MASTER NO. DM4629ME2984) (SEE PAGES 25-22 THROUGH 25-27)
36	R 26286	(-)	O-RING
37	R 27272	(-)	CONNECTOR, 1/2"-20
38	AR 74344	(-)	PIPE, FUEL FILTER TO FUEL INJECTION PUMP
39	R 26789	(-)	CLAMP, HALF
	R 26790	(-)	CUSHION
39	R 59299	(-)	CLAMP, HALF (2 USED)
	R 59300	(-)	REINFORCEMENT
	R 61146	(-)	RETAINER, CLAMP, THREADED
40	R 48358	(-XXXXX)	CLAMP, HALF (4 USED)
	R 48360	(-XXXXX)	CLAMP, HALF
	R 48359	(-XXXXX)	CUSHION
41	19H 1914	(-XXXXX)	SCREW, CAP, 1/4" x 1" (5 USED)
42	R 26728	(-XXXXX)	CLAMP, HALF, THREADED
	R 26789	(-XXXXX)	CLAMP, HALF
	R 26790	(-XXXXX)	CUSHION

* KIT LISTED BELOW CONTAINS ALL PARTS FOLLOWED BY AN ASTERISK ON THIS PAGE AND PAGES 25-23, 25-24, 25-25, 25-26 AND 25-27.

AR 63029 (-) KIT, GASKET OVERHAUL

FUEL INJECTION PUMP LINKAGE
 (6404D ENGINE SERIAL NO. 500000-)
 CODE 1602 INJECTION SYSTEM, REGULAR GOVERNOR

R24594



R 24594

KEY	PART NO.	ENGINE SERIAL NO.	DESCRIPTION
I 1	T 19859	(-)	SCREW, THROTTLE LEVER SPRING
I 2	T 17950	(-)	RETAINER, THROTTLE LEVER
I 3	T 17949	(-)	SPRING, THROTTLE LEVER
I 4	AR 46843	(-)	LEVER, THROTTLE
I 5	T 19860	(-)	ARM, ADJUSTING
I 6	T 11917	(-)	SCREW, ADJUSTING LEVER
I 7	T 19861	(-)	SPACER, ARM
I 8	AR 51717	(-)	SHAFT, THROTTLE
I 9	T 11920	(-)	SCREW, LEVER ADJUSTING
I 10	T 11921	(-)	NUT, ADJUSTING SCREW (2 USED)
I 11	T 11929	(-)	CLIP, SHAFT RETAINING
I 12	AR 51719	(-)	HOOK, LINKAGE
I	AR 28602	(-)	LINK, GOVERNOR HOOK, ADJUSTING
I	R 30719	(-)	WASHER, GOVERNOR LINK HOOK
I	R 30718	(-)	SCREW, GOVERNOR LINK HOOK
I	R 48516	(-)	HOOK, GOVERNOR LINKAGE
I 13	R 54245	(-)	ARM, GOVERNOR
I 14	R 41203	(-)	SPRING, GOVERNOR CONTROL
I 15	T 17952	(-)	SPACER, GOVERNOR SPRING
I 16	T 11924	(-)	RETAINER, SPRING
I 17	T 11913	(-)	SPRING, IDLING
I 18	T 11914	(-)	GUIDE, IDLING SPRING
I 19	T 11911	(-)	SPRING, GOVERNOR LINKAGE
I 20	AR 30736	(-)	ARM, METERING VALVE
I 21	R 30732	(-)	SHIM, METERING VALVE
I 22	R 58422	(-)	SPRING, METERING VALVE
I 23	R 64311	(-)	VALVE, METERING
I 24	T 11927	(-)	LEVER, THROTTLE SHAFT
I 25	AR 61989	(-)	HOUSING, PUMP
I 26	T 11925	(-)	SHAFT, PIVOT

FUEL INJECTION PUMP LINKAGE - CONTINUED
(6404D ENGINE SERIAL NO. 500000-)
CODE 1602 INJECTION SYSTEM, REGULAR GOVERNOR

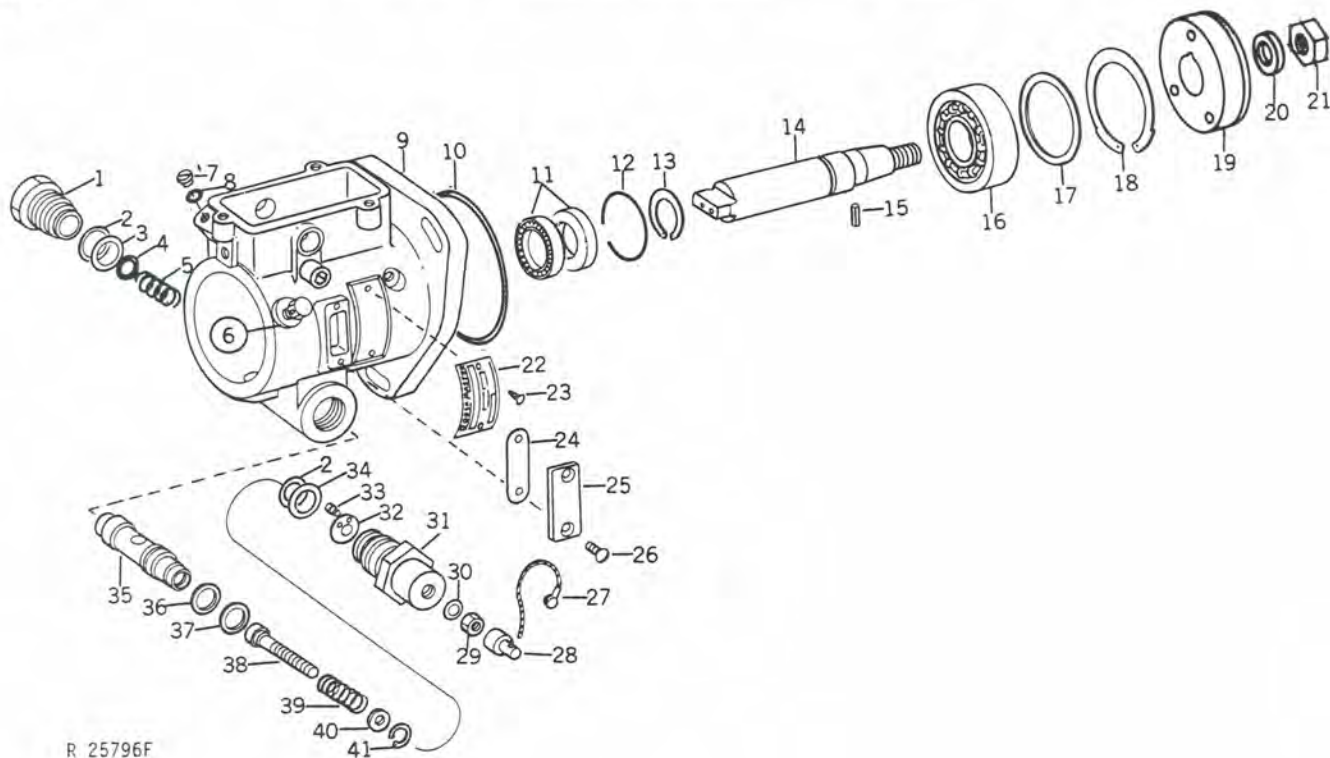
KEY	PART NO.	ENGINE SERIAL NO.	DESCRIPTION
I 27	T 11906	*	(-) SEAL, PIVOT SHAFT (2 USED)
I 28	T 11932	(-)) NUT, PIVOT SHAFT (2 USED)
I 29	T 11929	(-)) CLIP, SHAFT RETAINING
I 30	R 48515	(-)) SHAFT, SHUT-OFF
I 31	T 11915	*	(-) SEAL, THROTTLE SHAFT (2 USED)
I 32	T 15720	*	(-) WASHER, THROTTLE SHAFT (2 USED)
I 33	R 40703	(-)) SCREW, CAM LOCATING
I 34	T 15712	*	(-) SEAL, ADVANCE PLUG
I 35	R 40707	(-)) PLUG, ADVANCE
I 36	R 54254	(-)) SCREW, SPECIAL
I 37	T 17951	*	(-) SEAL
I 38	R 54251	(-)) SCREW, SPECIAL
I 39	T 11899	*	(-) SEAL, HEAD LOCATING SCREW
I 40	T 11877	(-)) WIRE, SEALING
I 41	T 11943	(-)) WASHER, GUIDE STUD
I 42	T 11923	(-)) STUD, GUIDE
I ..	AR 73526	(-)) PUMP, FUEL INJECTION (ROOSA-MASTER NO. DM4629ME2984) (SEE PAGES 25-22, 25-24, 25-25, 25-26 AND 25-27)

* KIT LISTED BELOW CONTAINS ALL PARTS FOLLOWED BY AN ASTERISK ON THIS PAGE AND PAGES 25-21, 25-24, 25-25, 25-26 AND 25-27.

.. AR 63029 (-) KIT, GASKET OVERHAUL

FUEL INJECTION PUMP HOUSING DRIVE SHAFT AND AUTOMATIC ADVANCE
 (6404D ENGINE SERIAL NO. 500000-)
 CODE 1602 INJECTION SYSTEM, REGULAR GOVERNOR

R25796F



R 25796F

KEY	PART NO.	ENGINE SERIAL NO.	DESCRIPTION
I 1	R 48520	(-)	PLUG, PISTON HOLE
I 2	T 15710	* (-)	SEAL, HOLE PLUG (2 USED)
I 3	R 56396	* (-)	SEAL, HOLE PLUG
I 4	T 17144	(-)	SHIM, ADVANCE SPRING, .005" (0.13MM) (USE AS REQUIRED)
I 5	R 63757	(-)	SHIM, ADVANCE SPRING, .015" (0.38MM) (USE AS REQUIRED)
I 6	R 63758	(-)	SHIM, ADVANCE SPRING, .032" (0.81MM) (USE AS REQUIRED)
I 7	R 64309	(-)	SPRING, ADVANCE
I 8	R 30714	(-)	SCREW, HEAD LOCKING
I 9	T 11930	(-)	SCREW, PAN HEAD
I 10	T 11878	(-)	SEAL, TORQUE SCREW
I 11	AR 61989	(-)	HOUSING, PUMP
I 12	R 54229	* (-)	SEAL, PUMP FLANGE
I 13	AR 72052	* (-)	SEAL DRIVE SHAFT
I 14	R 54225	(-)	RING, SEAL RETAINING
I 15	R 54227	(-)	RING, RETAINING
I 16	R 59642	(-)	SHAFT, DRIVE
I 17	R 54232	(-)	PIN, SPRING
I 18	AR 61990	(-)	BEARING, BALL
I 19	R 54235	(-)	WASHER, DRIVE SHAFT SPRING
I 20	R 54230	(-)	RING, RETAINING
I 21	R 54250	(-)	HUB, GEAR
I 22	R 54228	(-)	WASHER
I 23	R 54233	(-)	NUT, SPECIAL
I 24	T 11875	(-)	PLATE, NAME
I 25	T 11876	(-)	SCREW, NAME PLATE (2 USED)
I 26	T 11883	* (-)	GASKET, TIMING LINE COVER
I 27	T 11882	(-)	COVER, TIMING LINE
I 28	R 54260	(-)	SCREW, SPECIAL (2 USED)
I 29	T 11877	(-)	WIRE, SEALING
I 30	T 17117	(-)	CAP, ADJUSTING SCREW
I 31	T 17122	(-)	NUT, ADJUSTING SCREW
I 32	T 11915	* (-)	SEAL, ADJUSTING SCREW

FUEL INJECTION PUMP HOUSING DRIVE SHAFT AND AUTOMATIC ADVANCE - CONT.
 (6404D ENGINE SERIAL NO. 500000-)
 CODE 1602 INJECTION SYSTEM, REGULAR GOVERNOR

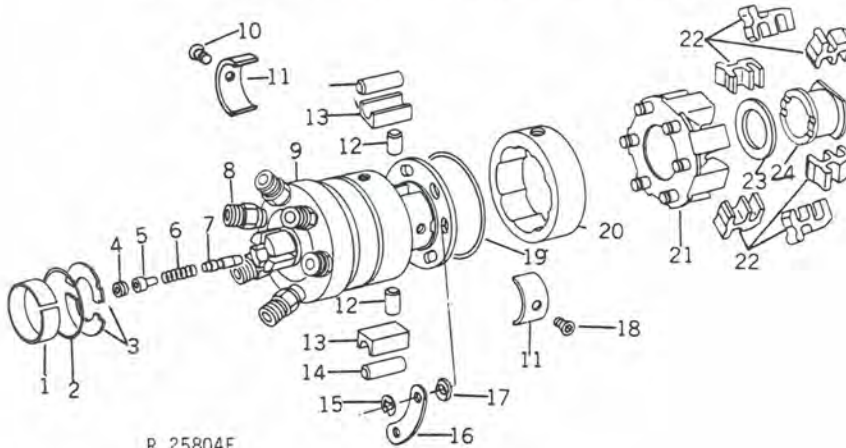
KEY	PART NO.	ENGINE SERIAL NO.	DESCRIPTION
I 31	R 54255	(-)	PLUG, PISTON CONTROL
I 32	R 56484	(-)	VALVE, REED
I 33	R 54224	(-)	SCREW, SPECIAL (2 USED)
I 34	T 17135	* (-)	SEAL, PISTON HOLE PLUG
I 35	R 64310	(-)	PISTON, ADVANCE
I 36	R 34635	* (-)	SEAL, PISTON RING
I 37	R 49211	(-)	RING, PISTON
I 38	R 48521	(-)	SCREW, ADVANCE ADJUSTING
I 39	R 48607	(-)	SPRING, ADVANCE TRIMMER
I 40	R 48517	(-)	WASHER
I 41	R 48523	(-)	RING, RETAINING
I ..	AR 73526	(-)	PUMP, FUEL INJECTION (ROOSA MASTER NO. DM4629ME2984) (SEE PAGES 25-22, 25-23, 25-24, 25-26 AND 25-27)

* KIT LISTED BELOW CONTAINS ALL PARTS FOLLOWED BY AN ASTERISK ON THIS PAGE AND PAGES 25-21, 25-23, 25-24, 25-26 AND 25-27.

.. AR 63029 (-) KIT, GASKET OVERHAUL

FUEL INJECTION PUMP HYDRAULIC HEAD, ROTOR, AND GOVERNOR
 (6404D ENGINE SERIAL NO. 500000-)
 CODE 1602 INJECTION SYSTEM, REGULAR GOVERNOR

R25804F



R 25804F

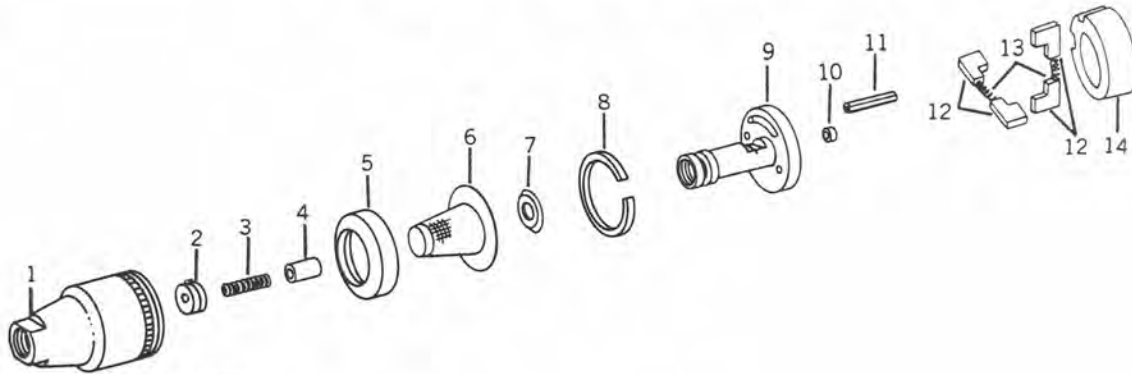
KEY	PART NO.	ENGINE SERIAL NO.	DESCRIPTION
1	R 61122	(-)	RING, LINER LOCATING
2	R 61124	* (-)	SEAL, TRANSFER PUMP
3	R 61121	(-)	RETAINER, ROTOR (2 USED)
4	R 54248	(-)	RETAINER, ROTOR (2 USED)
5	R 57809	(-)	SCREW, DELIVERY VALVE STOP
6	R 57810	(-)	STOP, DELIVERY VALVE
7	R 57799	(-)	SPRING, DELIVERY VALVE
8	R 57798	(-)	VALVE, DELIVERY
9	R 58077	(-)	VALVE, DELIVERY (OVERSIZE)
10	R 63345	(-)	CONNECTOR, FUEL LINE (6 USED)
11	AR 79957	(-)	HEAD AND ROTOR, HYDRAULIC, ASSEMBLY
12	T 11926	(-)	SCREW, HEAD PLUG
13	R 30725	(-)	SCREW, HEAD PLUG
14	R 54626	(-)	WIRE, VENT
15	R 63975	(-)	WIRE, VENT
16	R 48506	(-)	SCREW, LEAF SPRING
17	R 48505	(-)	SPRING, LEAF (2 USED)
18	T 11945	(-)	PLUNGER, ROTOR "A" LONG (2 USED)
19	T 11946	(-)	PLUNGER, ROTOR "B" LONG (2 USED)
20	T 11947	(-)	PLUNGER, ROTOR "C" LONG (2 USED)
21	T 11948	(-)	PLUNGER, ROTOR "D" LONG (2 USED)
22	R 64305	(-)	PLUNGER, ROTOR "A" SHORT (2 USED)
23	R 64306	(-)	PLUNGER, ROTOR "B" SHORT (2 USED)
24	R 64307	(-)	PLUNGER, ROTOR "C" SHORT (2 USED)
25	R 64308	(-)	PLUNGER, ROTOR "D" SHORT (2 USED)
26	R 57808	(-)	SHOE, CAM ROLLER (4 USED)
27	T 11886	(-)	ROLLER, CAM (4 USED)
28	R 54242	* (-)	RING, RETAINING (6 USED)
29	R 54252	(-)	RETAINER, CUSHION (3 USED)
30	R 54249	(-)	CUSHION, GOVERNOR WEIGHT RETAINER (6 USED)
31	R 48509	(-)	SCREW, LEAF SPRING
32	T 11891	* (-)	SEAL, HEAD
33	R 48531	(-)	RING, CAM
34	AR 61993	(-)	RETAINER, GOVERNOR WEIGHT
35	R 54239	(-)	WEIGHT, GOVERNOR (6 USED)
36	R 54240	(-)	WASHER, GOVERNOR SLEEVE THRUST
37	R 54241	(-)	SLEEVE, GOVERNOR THRUST
38	AR 73526	(-)	PUMP, FUEL INJECTION (ROOSA MASTER NO. DM4629ME2984) (SEE PAGES 25-22, 25-23, 25-24, 25-25 AND 25-27)

* KIT LISTED BELOW CONTAINS ALL PARTS FOLLOWED BY AN ASTERISK ON THIS PAGE AND PAGES 25-23, 25-24, 25-25 AND 25-27.

.. AR 63029 (-) KIT, GASKET OVERHAUL

FUEL INJECTION PUMP TRANSFER PUMP
 (6404D ENGINE SERIAL NO. 500000-)
 CODE 1602 INJECTION SYSTEM, REGULAR GOVERNOR

R25805F



R 25805F

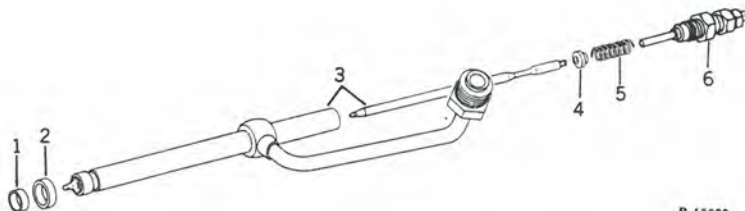
KEY	PART NO.	ENGINE SERIAL NO.	DESCRIPTION
I 1	R 61123	(-)	CAP, TRANSFER PUMP END
I 2	R 34623	(-)	PLUG, END PLATE
I 3	R 54237	(-)	SPRING, REGULATING
I 4	R 54253	(-)	PISTON, REGULATING
I 5	R 54222	* (-)	SEAL, INLET FILTER SCREEN
I 6	R 61118	(-)	SCREEN, INLET FILTER
I 7	R 61120	(-)	WASHER, FILTER SCREEN RETAINING
I 8	R 54246	(-)	WASHER, SPECIAL
I 8	R 61119	(-)	WASHER, TRANSFER PUMP SPRING
I 9	AR 61995	(-)	REGULATOR, TRANSFER PUMP
I 10	R 54231	* (-)	SEAL, TRANSFER PUMP REGULATING SLEEVE
I 11	R 54226	(-)	PIN, SPRING
I 12	AR 73828	(-)	BLADES, TRANSFER PUMP (PKG. OF 4) (1 USED)
I 12	AR 73829	(-)	BLADES, TRANSFER PUMP, OVERSIZE (PKG. OF 4) (1 USED)
I 13	R 34630	(-)	SPRING (2 USED)
I 14	R 54244	(-)	LINER, TRANSFER PUMP
I ..	AR 73526	(-)	PUMP, FUEL INJECTION (ROOSA MASTER NO. DM4629ME2984) (SEE PAGES 25-22, 25-23, 25-24, 25-25 AND 25-26)

* KIT LISTED BELOW CONTAINS ALL PARTS FOLLOWED BY AN ASTERISK ON THIS PAGE AND PAGES 25-23, 25-24, 25-25 AND 25-26.

.. AR 63029 (-) KIT, GASKET OVERHAUL

**INJECTOR NOZZLE (9.52MM) (ROOSA-MASTER)
(6404D ENGINE SERIAL NO. -499999)**

R18802

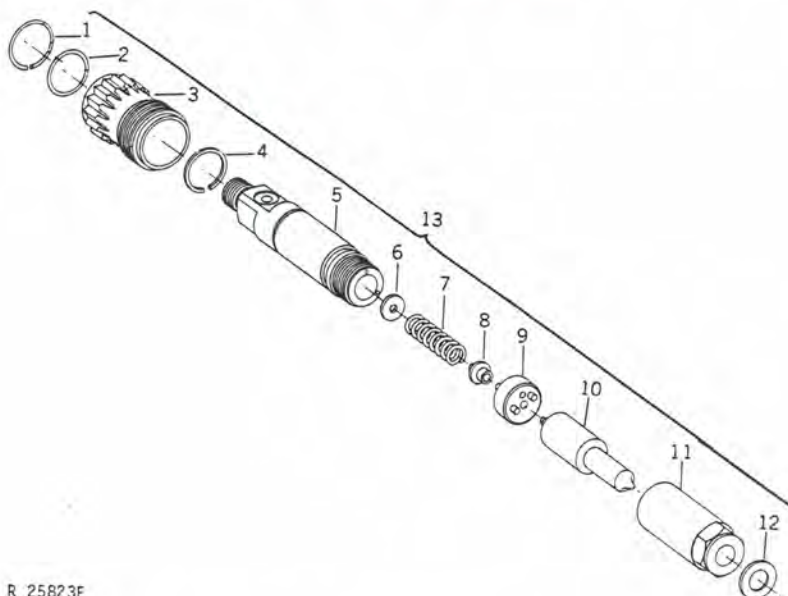


R 18802

KEY	PART NO.	ENGINE SERIAL NO.	DESCRIPTION
1	R 48000	(-)	SEAL
2	R 34764	(-)	WASHER, UPPER
3	AR 50781	(-)	NOZZLE, INJECTOR, WITH BOOT (ROOSA-MASTER NO. I-18767)
4	R 39886	(-)	SEAT, SPRING
5	R 47731	(-)	SPRING
6	AR 52720	(-)	SCREW ASSEMBLY

FUEL INJECTION NOZZLE
(6404D ENGINE SERIAL NO. 50000-)

R25823F

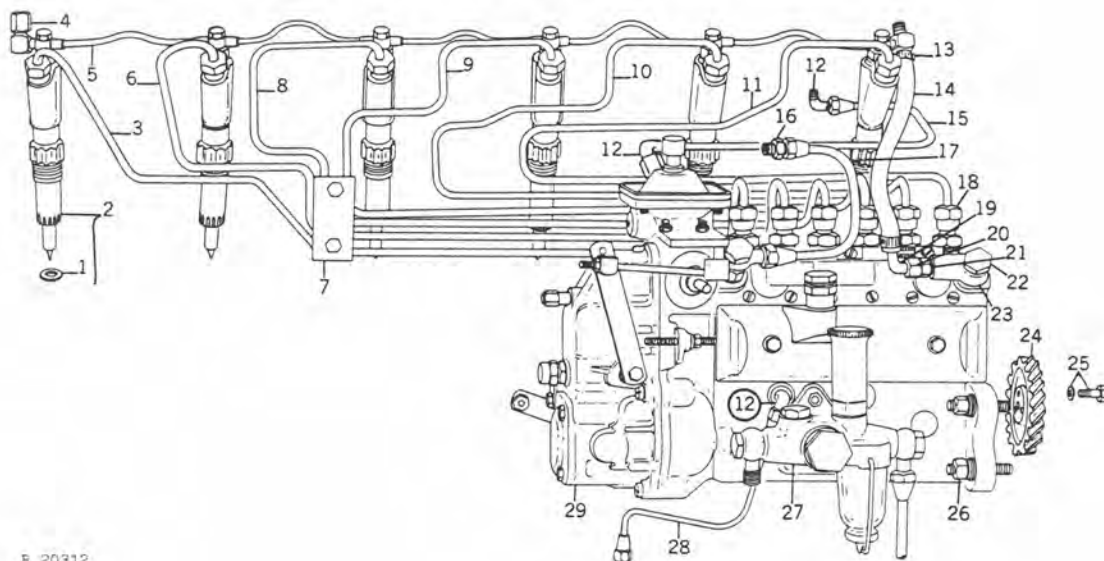


R 25823F

KEY	PART NO.	ENGINE SERIAL NO.	DESCRIPTION
1	R 60277	(-)	RING, SNAP
2	R 51603	(-)	O-RING, 5/8" X 3/32" (15.55MM X 2.62MM)
	R 33259	(-)	O-RING, 9/16" X 1/16" (14.00MM X 1.78MM)
3	R 60279	(-)	SCREW, HOLLOW
4	R 60278	(-)	RING, SNAP
5	R 60272	(-)	HOLDER, NOZZLE
6	R 60280	(-)	SHIM, .039" (0.99MM) PRESSURE ADJUSTING
	R 60281	(-)	SHIM, .041" (1.04MM) PRESSURE ADJUSTING
	R 60282	(-)	SHIM, .043" (1.09MM) PRESSURE ADJUSTING
	R 60283	(-)	SHIM, .045" (1.14MM) PRESSURE ADJUSTING
	R 60284	(-)	SHIM, .047" (1.19MM) PRESSURE ADJUSTING
	R 60285	(-)	SHIM, .049" (1.24MM) PRESSURE ADJUSTING
	R 60286	(-)	SHIM, .051" (1.29MM) PRESSURE ADJUSTING
	R 60287	(-)	SHIM, .053" (1.34MM) PRESSURE ADJUSTING
	R 60288	(-)	SHIM, .055" (1.39MM) PRESSURE ADJUSTING
	R 60289	(-)	SHIM, .057" (1.44MM) PRESSURE ADJUSTING
	R 60290	(-)	SHIM, .059" (1.49MM) PRESSURE ADJUSTING
	R 60291	(-)	SHIM, .061" (1.54MM) PRESSURE ADJUSTING
	R 60292	(-)	SHIM, .063" (1.60MM) PRESSURE ADJUSTING
	R 60293	(-)	SHIM, .065" (1.65MM) PRESSURE ADJUSTING
	R 60294	(-)	SHIM, .067" (1.70MM) PRESSURE ADJUSTING
	R 60295	(-)	SHIM, .069" (1.75MM) PRESSURE ADJUSTING
	R 60296	(-)	SHIM, .071" (1.80MM) PRESSURE ADJUSTING
	R 60297	(-)	SHIM, .073" (1.85MM) PRESSURE ADJUSTING
	R 60298	(-)	SHIM, .075" (1.90MM) PRESSURE ADJUSTING
	R 60299	(-)	SHIM, .077" (1.95MM) PRESSURE ADJUSTING
7	R 60273	(-)	SPRING
8	R 60274	(-)	SEAT, SPRING
9	R 60275	(-)	PLATE, INTERMEDIATE
10	AR 79685	(-)	NOZZLE
11	R 60276	(-)	NUT, NOZZLE RETAINING
12	R 59104	(-)	WASHER, ALUMINUM
13	AR 79686	(-)	NOZZLE, FUEL INJECTION, COMPLETE (6 USED)

FUEL INJECTION PUMP, NOZZLES, AND FUEL PIPES
(6404A, T)
(ENGINE SERIAL NO. -445569)

R20312



R 20312

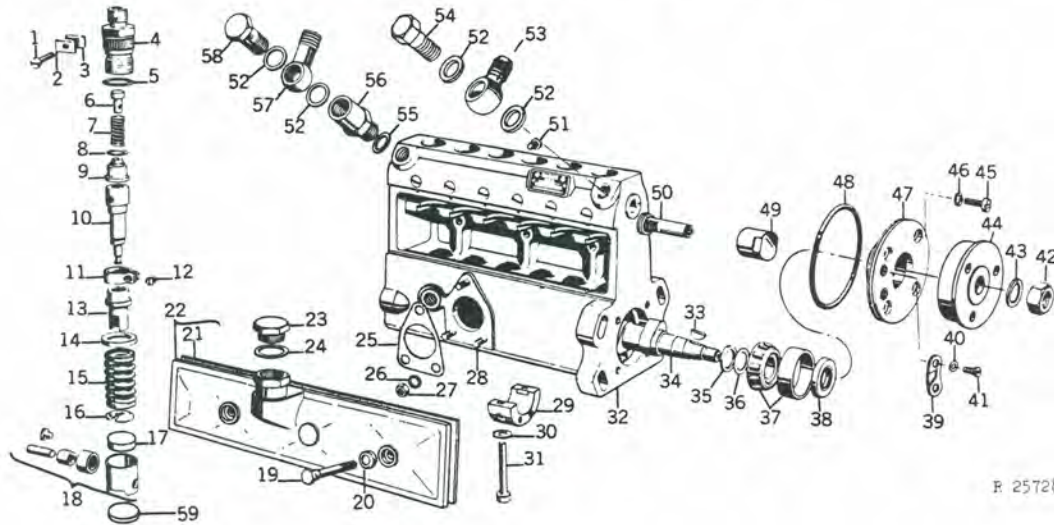
KEY	PART NO.	ENGINE SERIAL NO.	DESCRIPTION
1	R 48633	(-)	WASHER, COPPER (6 USED)
2	AR 53091	(-)	NOZZLE, FUEL INJECTION, WASHER AND O-RING (6 USED) (6404T)
	AR 62986	(-)	NOZZLE, FUEL INJECTION WITH WASHER AND O-RING (6 USED) (6404A)
3	AR 61521	(-)	PIPE, FUEL INJECTION, NO. 6
4	R 31147	(-)	CAP, 37° FLARE
5	AR 68961	(-)	PIPE, FUEL INJECTION LEAK-OFF (SUB. FOR AR50732)
6	AR 61520	(-)	PIPE, FUEL INJECTION, NO. 5
7	R 26728	(-)	CLAMP, HALF, THREADED, FOR PIPE NOS. 3, 4, 5 AND 6
	R 26789	(-)	CLAMP, HALF, FOR PIPE NOS. 3, 4, 5 AND 6
	R 26790	(-)	CUSHION, FOR PIPE NOS. 3, 4, 5 AND 6
	R 48358	(-)	CLAMP, HALF, THREADED, FOR PIPE NOS. 1, 2, 3, 4, 5 AND 6
	R 48360	(-)	CLAMP, HALF, FOR PIPE NOS. 1, 2, 3, 4, 5 AND 6
	R 48359	(-)	CUSHION, FOR PIPE NOS. 1, 2, 3, 4, 5, AND 6
	19H 1914	(-)	SCREW, CAP, 1/4" X 3/4" (5 USED)
	AR 53461	(-)	CLAMP, WITH SCREW, FOR PIPE NOS. 1 AND 2
	R 49629	(-)	CLAMP FOR PIPE NOS. 1 AND 2
	14H 786	(-)	NUT, 1/4"
	12H 302	(-)	WASHER, LOCK, 1/4"
8	AR 61519	(-)	PIPE, FUEL INJECTION, NO. 4
9	AR 61518	(-)	PIPE, FUEL INJECTION, NO. 3
10	AR 61517	(-)	PIPE, FUEL INJECTION, NO. 2
11	AR 61516	(-)	PIPE, FUEL INJECTION, NO. 1
12	R 57641	(-)	ELBOW, 90°, 1/8"-27 NPT X 3/8"-24 (3 USED) (SUB. FOR R49415)
13	AR 48236	(-)	CLAMP, HOSE (2 USED)
14	...	(-)	HOSE, 9" (229MM) (MAKE FROM R32639)
15	AR 61513	(-)	PIPE, FUEL CONTROL
	R 27256	(-)	PLATE, FUEL CONTROL PIPE TO EXHAUST MANIFOLD LOWER FRONT SCREW
	R 27528	(-)	CLAMP, FUEL CONTROL PIPE TO EXHAUST MANIFOLD LOWER FRONT SCREW
	R 55662	(-)	CLAMP, FUEL CONTROL PIPE TO CYLINDER HEAD LIFT STRAP SCREW
	R 55663	(-)	PLATE, FUEL CONTROL PIPE TO CYLINDER HEAD LIFT STRAP SCREW
16	R 50201	(-)	UNION, CONNECTOR, 1/2"-20
17	AR 62062	(-)	PIPE, FUEL, INJECTION PUMP TO FUEL FILTER LINE
18	R 469 R	(-)	NUT, ERMETO (12 USED)
	R 468 R	(-)	SLEEVE, ERMETO (12 USED)
19	R 54088	(- 396687)	PIPE, FUEL INJECTION LEAK-OFF
	AR 68332	(396688 - 396687)	PIPE, FUEL INJECTION LEAK-OFF
20	R 51937	(- 396687)	NUT, SPECIAL
	R 51936	(- 396687)	SLEEVE, RUBBER
21	AR 56224	(-)	VALVE, RESTRICTOR
22	R 53903	(-)	SCREW, HOLLOW

THIS PARTS LISTING IS CONTINUED

FUEL INJECTION PUMP, NOZZLES, AND FUEL PIPES - CONTINUED
 (6404A, T)
 (ENGINE SERIAL NO. -445569)

KEY	PART NO.	ENGINE SERIAL NO.	DESCRIPTION
23	R 53162	(- 396687)	CONNECTOR, BANJO
	R 58608	(-)	CONNECTOR, BANJO
	R 53901	(-)	GASKET (2 USED)
24	AR 55487	(-)	GEARS, INJECTION PUMP DRIVE AND CAMSHAFT (MATCHED SET)
25	AR 59115	(-)	SCREW, SPECIAL CAP, WITH WASHER (3 USED)
I 26	R 55396	(-)	STUD, 3/8" X 1-11/16" (4 USED) (SUB. FOR C2175R)
	24H 1305	(-)	WASHER, 13/32" X 13/16" X .060" (4 USED)
	14H 812	(-)	NUT, 3/8" (4 USED)
	12H 304	(-)	WASHER, LOCK, 3/8" (4 USED)
27	AR 58812	(-)	PUMP, FUEL TRANSFER (6404T)
	AR 63831	(-)	PUMP, FUEL TRANSFER (6404A)
28	AR 61514	(-)	PIPE, OIL, INJECTION PUMP LUBRICATION
29	AR 70348	(-)	PUMP, FUEL INJECTION, COMPLETE (WITHOUT ANEROID) (6404T) (ROBERT BOSCH) (SUB. FOR AR65527 OR AR69347)
	AR 73249	(-)	PUMP, FUEL INJECTION, COMPLETE (WITHOUT ANEROID) (6404T) (NIPPONDENSO)
	AR 70343	(-)	PUMP, FUEL INJECTION, COMPLETE (WITH ANEROID) (6404T) (ROBERT BOSCH) (SUB. FOR AR60370 OR AR69342)
	AR 73248	(-)	PUMP, FUEL INJECTION, COMPLETE (WITH ANEROID) (NIPPONDENSO) (6404T)
	AR 70349	(-)	PUMP, FUEL INJECTION, COMPLETE (WITHOUT ANEROID) (6404A) (ROBERT BOSCH) (SUB. FOR AR65526 OR AR69348)
	AR 70344	(-)	PUMP, FUEL INJECTION, COMPLETE (WITH ANEROID) (6404A) (ROBERT BOSCH) (SUB. FOR AR61996 OR AR69343)

FUEL INJECTION PUMP PARTS
(6404A, T)
(ENGINE SERIAL NO. -445569)



R 25728

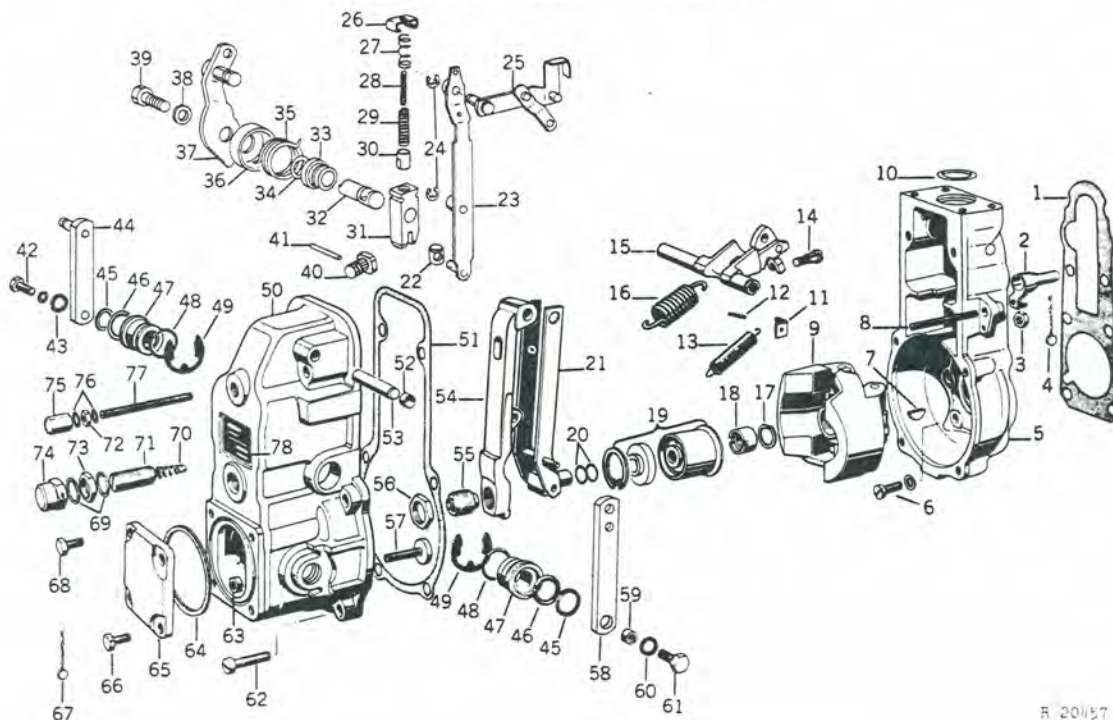
KEY	PART NO.	ENGINE SERIAL NO.	DESCRIPTION
1	R 54859	(-)	SCREW (3 USED)
2	R 54857	(-)	JAW, CLAMPING, WITH THROUGH HOLE (3 USED)
3	R 54858	(-)	JAW, CLAMPING, WITH THREADED HOLE (3 USED)
4	R 54855	(-)	HOLDER, DELIVERY VALVE (6 USED)
5	R 54856	(-)	O-RING (6 USED)
6	R 54881	(-)	SPACER (6 USED)
7	R 54854	(-)	SPRING (6 USED)
8	R 54853	(-)	GASKET (6 USED)
9	R 54892	(-)	VALVE, DELIVERY (6 USED) (6404A)
	AR 63554	(-)	VALVE, DELIVERY (6 USED) (6404T)
10	AR 63559	(-)	PLUNGER AND BARREL (6 USED) (6404A)
	AR 63553	(-)	PLUNGER AND BARREL (6 USED) (6404T)
11	R 54851	(-)	SEGMENT, GEAR (6 USED)
12	R 54852	(-)	SCREW (6 USED)
13	R 54850	(-)	SLEEVE, CONTROL (6 USED)
14	R 54849	(-)	SEAT, SPRING, UPPER
15	R 54891	(-)	SPRING (6 USED) (6404A)
	R 54848	(-)	SPRING (6 USED) (6404T)
16	R 54847	(-)	SEAT, SPRING, LOWER
17	R 54894	(-)	SPACER, .311" (7.90MM) (6404A)
	R 54895	(-)	SPACER, .313" (7.95MM) (6404A)
	R 54896	(-)	SPACER, .315" (8.00MM) (6404A)
	R 54897	(-)	SPACER, .317" (8.05MM) (6404A)
	R 54898	(-)	SPACER, .319" (8.10MM) (6404A)
	R 54899	(-)	SPACER, .321" (8.15MM) (6404A)
	R 54900	(-)	SPACER, .323" (8.20MM) (6404A)
	R 54901	(-)	SPACER, .325" (8.25MM) (6404A)
	R 54902	(-)	SPACER, .327" (8.30MM) (6404A)
	R 54903	(-)	SPACER, .329" (8.35MM) (6404A)
	R 54904	(-)	SPACER, .331" (8.40MM) (6404A)
	R 54905	(-)	SPACER, .333" (8.45MM) (6404A)
	R 54906	(-)	SPACER, .335" (8.50MM) (6404A)
	R 54907	(-)	SPACER, .337" (8.55MM) (6404A)
	R 54908	(-)	SPACER, .339" (8.60MM) (6404A)
	R 54909	(-)	SPACER, .341" (8.65MM) (6404A)
	R 54910	(-)	SPACER, .343" (8.70MM) (6404A)
	R 54911	(-)	SPACER, .345" (8.75MM) (6404A)
	R 54912	(-)	SPACER, .346" (8.80MM) (6404A)
18	AR 63829	(-)	TAPPET, ROLLER, ASSEMBLY (6404A)
	AR 63552	(-)	TAPPET, ROLLER, ASSEMBLY (6404T)
19	R 54876	(-)	SCREW, INJECTION PUMP COVER (2 USED)
20	T 24224	(-)	WASHER, COPPER (2 USED)
21	R 54875	(-)	GASKET

FUEL INJECTION PUMP PARTS - CONTINUED
(6404A, T)
(ENGINE SERIAL NO. -445569)

KEY	PART NO.	ENGINE SERIAL NO.	DESCRIPTION
22	AR 63557	-	COVER, INJECTION PUMP, WITH GASKET
23	R 54877	-	PLUG, CLOSING
24	R 54004	-	GASKET
25	R 53161	-	GASKET
26	T 31556	-	NUT (3 USED)
27	T 24229	-	WASHER, LOCK (3 USED)
28	R 53897	-	STUD (3 USED)
29	R 55062	-	SUPPORT, CENTER BEARING (6404A)
	R 54878	-	SUPPORT, BEARING CENTER (6404T)
30	R 54880	-	WASHER, LOCK (2 USED)
31	R 54879	-	SCREW (2 USED)
32	AR 63558	-	HOUSING, PUMP (6404A)
	AR 63551	-	HOUSING, PUMP (6404T)
33	R 53888	-	KEY, WOODRUFF
34	R 54893	-	CAMSHAFT (6404A)
	R 54862	-	CAMSHAFT (6404T)
35	R 54863	-	SPACER (DRIVE END)
	R 55152	-	SPACER (GOVERNOR END)
36	R 54864	-	SHIM, .0039" (0.10MM) (USE AS REQUIRED) (DRIVE END)
	R 54865	-	SHIM, .0047" (0.12MM) (USE AS REQUIRED) (DRIVE END)
	R 54866	-	SHIM, .0055" (0.14MM) (USE AS REQUIRED) (DRIVE END)
	R 54867	-	SHIM, .0063" (0.16MM) (USE AS REQUIRED) (DRIVE END)
	R 54868	-	SHIM, .0071" (0.18MM) (USE AS REQUIRED) (DRIVE END)
	R 54869	-	SHIM, .0197" (0.50MM) (USE AS REQUIRED) (DRIVE END)
	R 54870	-	SHIM, .0118" (0.30MM) (USE AS REQUIRED) (DRIVE END)
	R 55153	-	SHIM, .0039" (0.10MM) (USE AS REQUIRED) (GOVERNOR END)
	R 55154	-	SHIM, .0047" (0.12MM) (USE AS REQUIRED) (GOVERNOR END)
	R 55155	-	SHIM, .0055" (0.14MM) (USE AS REQUIRED) (GOVERNOR END)
	R 55156	-	SHIM, .0063" (0.16MM) (USE AS REQUIRED) (GOVERNOR END)
	R 55157	-	SHIM, .0071" (0.18MM) (USE AS REQUIRED) (GOVERNOR END)
	R 55159	-	SHIM, .0197" (0.50MM) (USE AS REQUIRED) (GOVERNOR END)
	R 55160	-	SHIM, .0390" (1.00MM) (USE AS REQUIRED) (GOVERNOR END)
	R 55158	-	SHIM, .0118" (0.30MM) (USE AS REQUIRED) (GOVERNOR END)
37	AR 63555	-	BEARING, TAPER ROLLER (DRIVE END)
	AR 63941	-	BEARING, TAPER ROLLER (GOVERNOR END)
38	AR 63556	-	SEAL
39	R 54882	-	POINTER, TIMING
40	R 54884	-	WASHER (2 USED)
41	R 54883	-	SCREW (2 USED)
42	R 53886	-	NUT, HEX
43	R 54871	-	WASHER, LOCK
44	R 54885	-	HUB, DRIVE
45	R 53885	-	SCREW (2 USED)
46	R 54874	-	WASHER, LOCK (2 USED)
47	R 54872	-	ENDPLATE BEARING
48	R 54873	-	O-RING
49	AR 69158	-	CAP, CONTROL RACK WITH MAGNET
50	R 54860	-	RACK, CONTROL
51	R 54861	-	SCREW, RACK LOCATING
52	R 53901	-	GASKET (4 USED)
53	R 53162	-	CONNECTOR, BANJO
54	R 53903	-	SCREW, HOLLOW
55	R 53899	-	GASKET
56	R 53900	-	ADAPTER
57	R 53902	-	CONNECTOR, BANJO
58	R 53903	-	SCREW, HOLLOW
59	R 55063	-	PLUG, PUMP HOUSING, BASE (6 USED)

FUEL INJECTION PUMP GOVERNOR
(6404A, T)
(ENGINE SERIAL NO. -445569)

R20457



R 20457

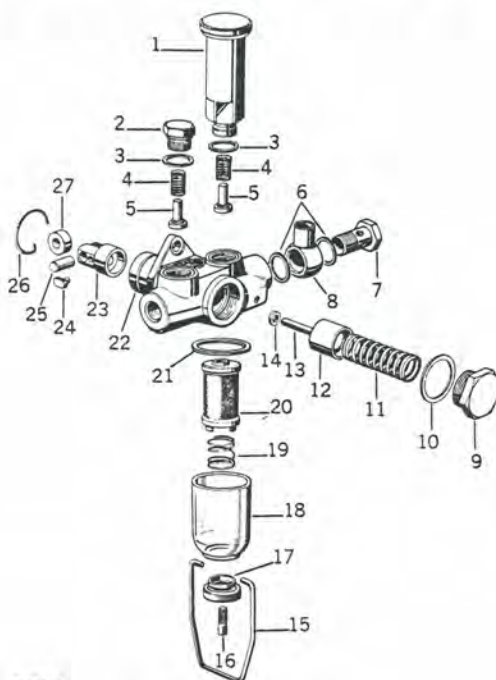
KEY	PART NO.	ENGINE SERIAL NO.	DESCRIPTION
	1 R 55064	(-)	GASKET
	2 R 53918	(-)	CAPSULE, SEALING
I	AR 63560	(-)	SEAL, STOP SCREW (SUB. R53972 AND T31575)
	3 T 31556	(-)	NUT, LOCK
	4 R 53972	(-)	WIRE, SEALING
	5 AR 31575	(-)	SEAL, LEAD
	5 AR 63567	(-)	HOUSING, GOVERNOR (WITH ANEROID)
	R 56989	(-)	HOUSING, GOVERNOR (WITHOUT ANEROID)
	R 56990	(-)	PLUG (WITHOUT ANEROID)
	6 R 53914	(-)	SCREW, FILL. HD. (6 USED)
	T 24229	(-)	WASHER, LOCK (6 USED)
	7 T 24295	(-)	KEY, WOODRUFF
	8 R 53917	(-)	SCREW, HIGH SPEED STOP
	9 AR 61171	(-)	FLYWEIGHT ASSEMBLY
	10 R 54932	(-)	O-RING
	11 R 53915	(-)	BRACKET
I	12 R 53945	(-)	TUBE (2 USED) (SUB. R54921)
	13 R 54921	(-)	SPRING, STARTING
	14 R 54919	(-)	SCREW
	15 AR 61174	(-)	LEVER, SWIVELING
	16 R 53943	(-)	SPRING, GOVERNOR, MAIN
	17 R 53912	(-)	WASHER, LOCK
	18 R 53911	(-)	NUT, RD.
	19 AR 61172	(-)	BEARING, ASSEMBLY
	20 R 53920	(-)	SHIM, .008" (0.2MM) (USE AS REQUIRED)
	R 53921	(-)	SHIM, .012" (0.3MM) (USE AS REQUIRED)
	R 53922	(-)	SHIM, .016" (0.4MM) (USE AS REQUIRED)
	R 53923	(-)	SHIM, .039" (1.0MM) (USE AS REQUIRED)
	21 R 53924	(-)	LEVER, GUIDE
	22 R 53931	(-)	SLIDER
	23 AR 63563	(-)	LEVER, FLOATING
	24 R 53932	(-)	RING, RETAINING (2 USED)

FUEL INJECTION PUMP GOVERNOR - CONTINUED
 (6404A, T)
 (ENGINE SERIAL NO. -445569)

KEY	PART NO.	ENGINE SERIAL NO.	DESCRIPTION
25	AR 63569	(-)	SHACKLE
26	R 53953	(-)	CLIP, RETAINING
27	R 53950	(-)	SPRING, .768" (19.5MM)
28	R 53951	(-)	SPRING, .925" (23.5MM)
29	R 53952	(-)	SPRING, 1.043" (26.5MM)
30	R 53949	(-)	CAPSULE, SPRING LEVER
31	R 53948	(-)	LEVER
32	R 53947	(-)	SHAFT
33	R 53946	(-)	BUSHING, THREADED
34	R 53955	(-)	O-RING
35	R 54922	(-)	SPRING
36	R 53956	(-)	RETAINER, SPRING
37	AR 63565	(-)	LEVER, SHUT-OFF
38	T 24229	(-)	WASHER, LOCK
39	R 53941	(-)	SCREW
40	R 53958	(-)	PIN, STOP
41	R 54923	(-)	PIN
42	R 53941	(-)	SCREW
43	R 53942	(-)	WASHER
44	AR 63564	(-)	LEVER, CONTROL, L.H.
45	R 53938	(-)	SPACER, .012" (0.3MM) (USE AS REQUIRED)
	R 53939	(-)	SPACER, .039" (1.0MM) (USE AS REQUIRED)
	R 53940	(-)	SPACER, .0196" (0.5MM) (USE AS REQUIRED)
46	R 53937	(-)	O-RING (2 USED)
47	R 53934	(-)	BUSHING (2 USED)
48	R 53935	(-)	O-RING (2 USED)
49	R 53936	(-)	RING, RETAINING (2 USED)
50	AR 63561	(-)	COVER, GOVERNOR
51	R 53971	(-)	GASKET
52	R 53927	(-)	PLUG, SEALING (2 USED)
53	R 53926	(-)	SHAFT
54	R 53925	(-)	LEVER, TENSIONING
55	AR 63562	(-)	CAPSULE, TORQUE CONTROL, COMPLETE
56	R 53928	(-)	NUT, LOCK
57	R 53929	(-)	SCREW, FULL LOAD STOP
58	R 55065	(-)	LEVER, CONTROL, R.H.
59	R 53975	(-)	SPACER
60	T 24229	(-)	WASHER, LOCK
61	R 53976	(-)	SCREW
62	R 53969	(-)	SCREW, FILL. HD. (LOWER) (4 USED)
	R 53970	(-)	SCREW, FILL. HD. (UPPER) (2 USED)
63	T 31556	(-)	NUT, HEX.
64	R 53966	(-)	GASKET
65	AR 63566	(-)	COVER
66	R 54926	(-)	SCREW, LOWER (2 USED)
67	R 53972	(-)	WIRE, SEALING
	T 31575	(-)	SEAL, LEAD
68	R 54927	(-)	SCREW, UPPER (2 USED)
69	T 25118	(-)	WASHER, COPPER (2 USED)
70	R 54924	(- 375015)	SPRING
	R 53962	(375016 -)	SPRING
71	R 53961	(-)	CAPSULE, SPRING
72	T 24282	(-)	NUT, HEX.
73	R 53963	(-)	NUT, LOCK
74	R 54925	(- 375015)	NUT, CAP
	R 53964	(375016 -)	NUT, CAP
	R 53960	(-)	NUT, CAP
75	R 53960	(-)	WASHER, COPPER (2 USED)
76	T 24224	(-)	SCREW, LOW IDLE STOP
77	R 53959	(-)	SCREW, LOW IDLE STOP
78	R 54300	(-)	DECAL, GOVERNOR CALIBRATING

FUEL TRANSFER PUMP
(6404A, T)
(ENGINE SERIAL NO. -445569)

R19164



R 19164

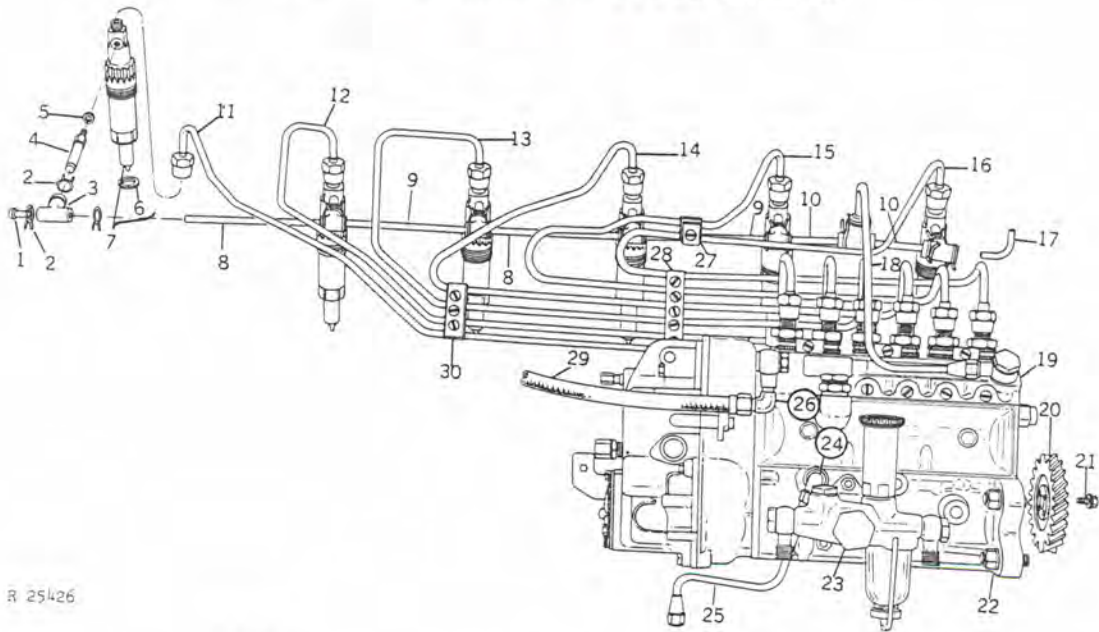
KEY	PART NO.	ENGINE SERIAL NO.	DESCRIPTION
1	R 54033	-	PRIMER, HAND
2	R 54024	-	PLUG, SCREW
3	R 54025	-	GASKET (2 USED)
4	R 54023	-	SPRING (2 USED)
I 5	R 55022	-	VALVE (2 USED) (SUB. FOR R55074)
6	R 53901	-	GASKET (4 USED)
I 7	R 53903	-	SCREW, HOLLOW (2 USED) (SUB. FOR R54012)
8	R 53902	-	FITTING, BANJO (2 USED)
9	R 55069	-	PLUG, SCREW
10	R 54016	-	GASKET
11	R 54011	-	SPRING
12	R 55067	-	PLUNGER, PUMP (ORDER AR63831)
13	R 55068	-	SPINDLE, PRESSURE (ORDER AR63831)
14	R 54013	-	O-RING
15	R 54030	-	CLIP
16	R 54032	-	BOLT, STUD
17	R 54031	-	NUT, CLAMPING
18	R 54027	-	HOUSING, FILTER (GLASS)
19	R 54029	-	SPRING
20	R 54026	-	FILTER
21	R 54028	-	GASKET
22	AR 63831	-	PUMP, FUEL TRANSFER, COMPLETE
23	R 55070	-	TAPPET, ROLLER (SUB. AR73857)
24	R 55073	-	BLOCK, SLIDING (2 USED) (SUB. AR73857)
25	R 55072	-	PIN, ROLLER (SUB. AR73857)
26	R 54021	-	RING, SNAP
27	R 55071	-	ROLLER (SUB. AR73857)
..	R 53161	-	GASKET, FUEL TRANSFER PUMP

FUEL INJECTION PUMP, NOZZLES AND FUEL PIPE - CONTINUED
 (6404A, T)
 (ENGINE SERIAL NO. 445570-)
 CODE 1601 INJECTION SYSTEM, REGULAR GOVERNOR

KEY	PART NO.	ENGINE SERIAL NO.	DESCRIPTION
	29 AR 55487	(-)	GEAR, INJECTION PUMP DRIVE AND CAMSHAFT (MATCHED SET)
I	30 AR 59115	(-)	SCREW, SPECIAL CAP (3 USED)
	31 R 55396	(-)	STUD (4 USED)
	R 42729	(-)	WASHER, SPECIAL (4 USED)
	12H 304	(-)	WASHER, LOCK, 3/8" (4 USED)
	14H 812	(-)	NUT, 3/8"
	32 AR 63831	(-)	PUMP, FUEL TRANSFER (FOR PARTS SEE PAGE 25-52 OR 25-64)
	33 R 57641	(-)	ELBOW, 90°, 1/8"-27 NPT X 3/8"-24
	34 AR 76158	(-)	PIPE, ANEROID CONTROL
	35 U 45538	(-)	ELBOW, 90°, 1/4"-18 X 1/2"-20
	36 R 58186	(-)	CLAMP, HALF (2 USED)
	R 61144	(-)	RETAINER, CLAMP
	R 59305	(-)	RETAINER
	21H 1312	(-)	SCREW, MACH., NO. 10
	12H 246	(-)	WASHER, LOCK, NO. 10
	37 R 59302	(-)	CLAMP, HALF (2 USED)
	R 61147	(-)	RETAINER, CLAMP
	R 59304	(-)	REINFORCEMENT
	21H 1312	(-)	SCREW, MACH., NO. 10 (5 USED)
	12H 302	(-)	WASHER, LOCK, NO. 10 (5 USED)
	38 AR 76488	(-)	PIPE, PUMP OIL INLET
I	39 AR 76326	(-)	LINE, FLEXIBLE
	40 R 59299	(-)	CLAMP, HALF (2 USED)
	R 61146	(-)	RETAINER, CLAMP
	R 59300	(-)	REINFORCEMENT
	12H 1312	(-)	SCREW, MACH., NO. 10 (3 USED)
	12H 246	(-)	WASHER, LOCK, NO. 10 (3 USED)

FUEL INJECTION PUMP, NOZZLES, AND FUEL PIPE
 (6404A, T)
 (ENGINE SERIAL NO. 445570-)
 CODE 1604 INJECTION SYSTEM, 3%-5% GOVERNOR

R25426



R 25426

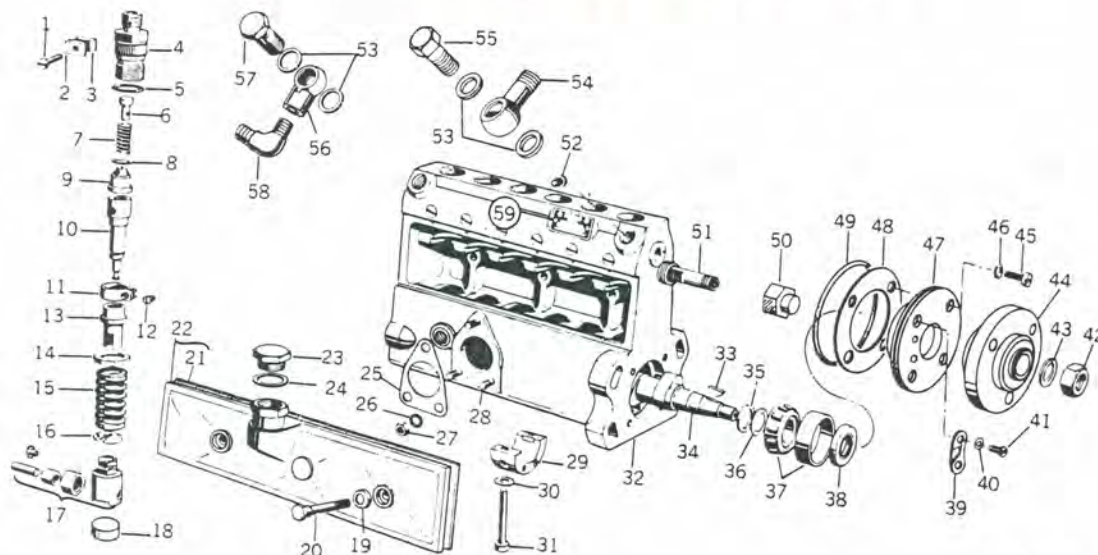
KEY	PART NO.	ENGINE SERIAL NO.	DESCRIPTION
1	16H 644	-) RIVET, PAN HD.
2	R 34766	-) CLAMP (21 USED)
3	T 23425	-) BOOT, NOZZLE LEAK-OFF (7 USED)
4	R 59293	-) CONNECTOR, SPECIAL (6 USED)
5	R 59294	-) WASHER, ALUMINUM (6 USED)
6	R 59104	-) WASHER, ALUMINUM (6 USED)
7	AR 74664	-) NOZZLE, FUEL INJECTION WITH WASHER AND O-RING (6 USED) (FOR PARTS SEE PAGE 25-65) (6404A)
	AR 74665	-) NOZZLE, FUEL INJECTION WITH WASHER AND O-RING (6 USED) (FOR PARTS SEE PAGE 25-53) (6404T)
8	R 60877	-) TUBE, FUEL INJECTION LEAK-OFF (2 USED)
9	R 60876	-) TUBE, FUEL INJECTION LEAK-OFF (2 USED)
10	R 62245	-) TUBE, FUEL INJECTION LEAK-OFF (2 USED)
11	AR 69451	-) PIPE, FUEL INJECTION, NO. 6
12	AR 69450	-) PIPE, FUEL INJECTION, NO. 5
13	AR 69449	-) PIPE, FUEL INJECTION, NO. 4
14	AR 69448	-) PIPE, FUEL INJECTION, NO. 3
15	AR 69447	-) PIPE, FUEL INJECTION, NO. 2
16	AR 69446	-) PIPE, FUEL INJECTION, NO. 1
17	R 54088	-) TUBE, FUEL INJECTION LEAK-OFF
18	AR 76502	-) LINE, PUMP TO LEAK-OFF LINE
19	AR 73519	-) PUMP, FUEL INJECTION (WITHOUT ANEROID) (6404T) (ROBERT BOSCH)
	AR 73520	-) PUMP, FUEL INJECTION (WITHOUT ANEROID) (6404A) (ROBERT BOSCH)
20	AR 55487	-) GEAR, INJECTION PUMP DRIVE AND CAMSHAFT (MATCHED SET)
21	AR 59115	-) SCREW, SPECIAL CAP (3 USED)
22	R 55396	-) STUD (4 USED)
	R 42729	-) WASHER, SPECIAL (4 USED)
	12H 304	-) WASHER, LOCK, 3/8" (4 USED)
	14H 812	-) NUT, 3/8" (4 USED)
23	AR 63831	-) PUMP, FUEL TRANSFER (FOR PARTS SEE PAGE 25-52 OR 25-64)

FUEL INJECTION PUMP, NOZZLES, AND FUEL PIPE - CONTINUED
 (6404A, T)
 (ENGINE SERIAL NO. 445570-)
 CODE 1604 INJECTION SYSTEM, 3%-5% GOVERNOR

KEY	PART NO.	ENGINE SERIAL NO.	DESCRIPTION
24	R 39832	(-)	CONNECTOR, SPECIAL, 1/8"-27 NPT X 3/8"-24
25	AR 61514	(-)	PIPE, INJECTION PUMP, OIL LUBRICATION
26	U 45538	(-)	ELBOW, 90°, 1/4"-18 X 1/2"-20
27	R 58186	(-)	CLAMP, HALF (2 USED)
	R 61144	(-)	RETAINER, CLAMP
	R 59305	(-)	REINFORCEMENT
	21H 1312	(-)	SCREW, MACH., NO. 10
	12H 246	(-)	WASHER, LOCK, NO. 10
28	R 59302	(-)	CLAMP, HALF (2 USED)
	R 61147	(-)	RETAINER, CLAMP
	R 59304	(-)	REINFORCEMENT
	21H 1312	(-)	SCREW, MACH., NO. 10 (5 USED)
	12H 246	(-)	WASHER, LOCK, NO. 10 (5 USED)
29	AR 76760	(-)	LINE, FLEXIBLE
30	R 59299	(-)	CLAMP, HALF (2 USED)
	R 61146	(-)	RETAINER, CLAMP
	R 59300	(-)	REINFORCEMENT
	21H 1312	(-)	SCREW, MACH., NO. 10 (3 USED)
	12H 302	(-)	WASHER, LOCK, NO. 10 (3 USED)

FUEL INJECTION PUMP PARTS
(6404T)
(ENGINE SERIAL NO. 445570-)
CODE 1601 INJECTION SYSTEM, REGULAR GOVERNOR

R25427



R 25427

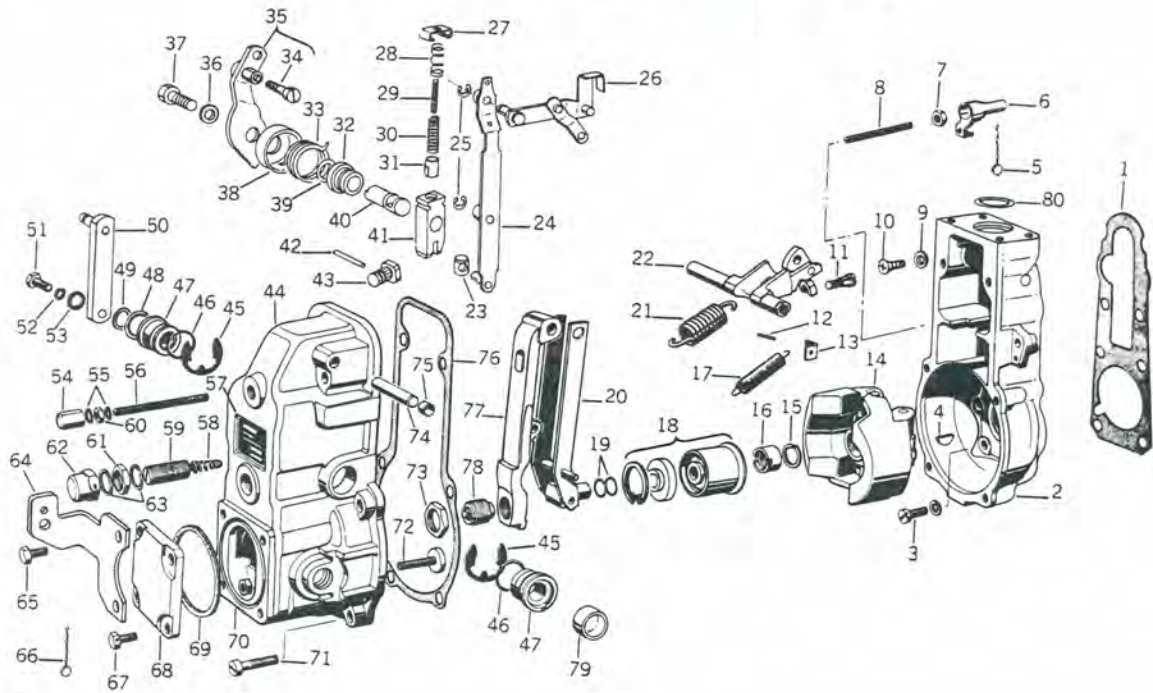
KEY	PART NO.	ENGINE SERIAL NO.	DESCRIPTION
1	R 54859	(-)	SCREW (3 USED)
2	R 54857	(-)	JAW, CLAMPING, WITH THROUGH HOLE (3 USED)
3	R 54858	(-)	JAW, CLAMPING, WITH THREADED HOLE (3 USED)
4	R 63065	(-)	HOLDER, DELIVERY VALVE (6 USED)
5	R 54856	(-)	O-RING (6 USED)
6	R 54881	(-)	SPACER (6 USED)
7	R 54854	(-)	SPRING (6 USED)
8	R 54853	(-)	GASKET (6 USED)
9	AR 63554	(-)	VALVE, DELIVERY (6 USED)
10	AR 63553	(-)	PLUNGER AND BARREL (6 USED)
11	R 54851	(-)	SEGMENT, GEAR (6 USED)
12	R 54852	(-)	SCREW (6 USED)
13	R 54850	(-)	SLEEVE, CONTROL (6 USED)
14	R 54849	(-)	SEAT, SPRING, UPPER (6 USED)
15	R 54848	(-)	SPRING (6 USED)
16	R 54847	(-)	SEAT, SPRING, LOWER (6 USED)
17	AR 63552	(-)	TAPPET, ROLLER, ASSEMBLY (6 USED)
18	R 54846	(-)	PLUG, PUMP HOUSING, BASE (6 USED)
19	T 24224	(-)	WASHER, COPPER (2 USED)
20	R 54876	(-)	SCREW, INSPECTION COVER (2 USED)
21	R 54875	(-)	GASKET
22	AR 63557	(-)	COVER, INJECTION PUMP, WITH GASKET
23	R 54877	(-)	PLUG, CLOSING
24	R 54004	(-)	GASKET
25	R 53161	(-)	GASKET
26	T 24229	(-)	WASHER, LOCK (3 USED)
27	T 31556	(-)	NUT (3 USED)
28	R 53897	(-)	STUD (3 USED)
29	R 54878	(-)	SUPPORT, CENTER BEARING
30	R 54880	(-)	WASHER, LOCK (2 USED)
31	R 54879	(-)	SCREW (2 USED)
32	AR 63551	(-)	HOUSING, PUMP
33	R 53888	(-)	KEY, WOODRUFF
34	R 54862	(-)	CAMSHAFT
35	R 54863	(-)	SPACER, GOVERNOR END

FUEL INJECTION PUMP PARTS - CONTINUED
(6404T)
(ENGINE SERIAL NO. 445570-)
CODE 1601 INJECTION SYSTEM, REGULAR GOVERNOR

KEY	PART NO.	ENGINE SERIAL NO.	DESCRIPTION
36	R 55152	(-)	SHIM, .0039" (0.10MM) (USE AS REQUIRED) (DRIVE END)
	R 54864	(-)	SHIM, .0047" (0.12MM) (USE AS REQUIRED) (DRIVE END)
	R 54865	(-)	SHIM, .0055" (0.14MM) (USE AS REQUIRED) (DRIVE END)
	R 54866	(-)	SHIM, .0063" (0.16MM) (USE AS REQUIRED) (DRIVE END)
	R 54867	(-)	SHIM, .0071" (0.18MM) (USE AS REQUIRED) (DRIVE END)
	R 54868	(-)	SHIM, .0197" (0.50MM) (USE AS REQUIRED) (DRIVE END)
	R 54869	(-)	SHIM, .0118" (0.30MM) (USE AS REQUIRED) (DRIVE END)
	R 54870	(-)	SHIM, .0039" (0.10MM) (USE AS REQUIRED) (GOVERNOR END)
	R 55153	(-)	SHIM, .0047" (0.12MM) (USE AS REQUIRED) (GOVERNOR END)
	R 55154	(-)	SHIM, .0055" (0.14MM) (USE AS REQUIRED) (GOVERNOR END)
	R 55155	(-)	SHIM, .0063" (0.16MM) (USE AS REQUIRED) (GOVERNOR END)
	R 55156	(-)	SHIM, .0071" (0.18MM) (USE AS REQUIRED) (GOVERNOR END)
	R 55157	(-)	SHIM, .0197" (0.50MM) (USE AS REQUIRED) (GOVERNOR END)
	R 55159	(-)	SHIM, .0390" (1.00MM) (USE AS REQUIRED) (GOVERNOR END)
	R 55160	(-)	SHIM, .0118" (0.30MM) (USE AS REQUIRED) (GOVERNOR END)
	R 55158	(-)	SHIM, .0118" (0.30MM) (USE AS REQUIRED) (GOVERNOR END)
37	AR 63555	(-)	BEARING, TAPER ROLLER (DRIVE END)
	AR 63941	(-)	BEARING, TAPER ROLLER (GOVERNOR END)
38	AR 63556	(-)	SEAL
39	R 54882	(-)	POINTER, TIMING
40	R 54884	(-)	WASHER (2 USED)
41	R 54883	(-)	SCREW (2 USED)
42	R 53886	(-)	NUT, HEX
43	R 53887	(-)	WASHER, LOCK
44	R 54885	(-)	HUB, DRIVE
45	R 60908	(-)	SCREW (2 USED)
46	R 54874	(-)	WASHER, LOCK (2 USED)
47	R 54872	(-)	ENDPLATE BEARING
48	R 54873	(-)	O-RING
49	R 60909	(-)	GASKET
50	AR 69158	(-)	CAP, CONTROL RACK, WITH MAGNET
51	R 54860	(-)	RACK, CONTROL
52	R 54861	(-)	SCREW, RACK LOCATING
53	R 53901	(-)	GASKET (4 USED)
54	R 58608	(-)	CONNECTOR, BANJO
55	R 53903	(-)	SCREW, HOLLOW
56	R 53162	(-)	CONNECTOR, BANJO
57	R 53903	(-)	SCREW, HOLLOW
58	R 57641	(-)	ELBOW, 90°, 1/8"-27 X 3/8"-24
59	T 31508	(-)	NAMEPLATE

FUEL INJECTION PUMP GOVERNOR
(6404T)
(ENGINE SERIAL NO. 445570-)
CODE 1601 INJECTION PUMP, REGULAR GOVERNOR

R24919



R 24919

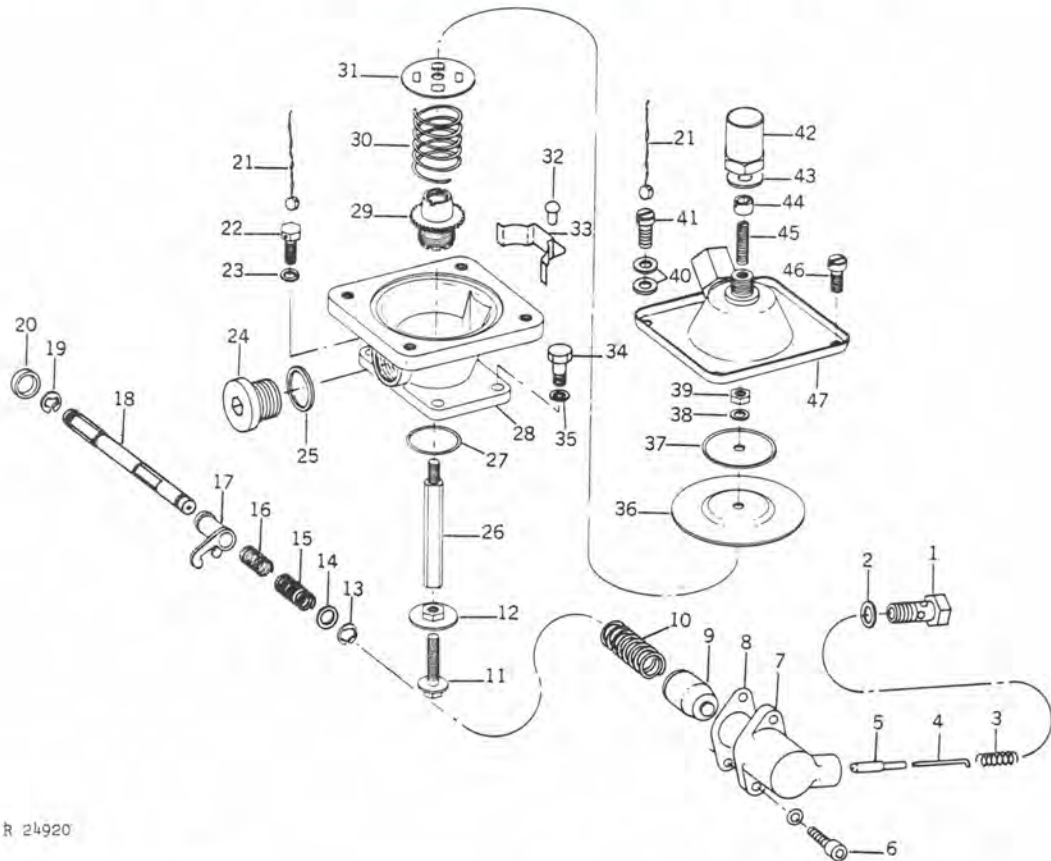
KEY	PART NO.	ENGINE SERIAL NO.	DESCRIPTION
1	R 55064	-	GASKET
2	AR 77812	-	HOUSING, GOVERNOR
3	R 53885	-	SCREW, FILL. HD. (6 USED)
4	T 24229	-	WASHER, LOCK (6 USED)
5	R 53972	-	KEY, WOODRUFF
6	T 31575	-	WIRE, SEALING
7	R 53918	-	SEAL, LEAD
8	T 31556	-	CAPSULE, SEALING
9	R 53917	-	NUT, LOCK
10	R 54938	-	SCREW, HIGH SPEED STOP
11	R 54937	-	SPACER
12	R 53919	-	SCREW, SPECIAL
13	R 53945	-	SCREW, SPECIAL
14	R 53915	-	TUBE (2 USED) (SUB. R54921)
15	AR 61171	-	BRACKET
16	R 53912	-	FLYWHEEL ASSEMBLY
17	R 53911	-	WASHER, LOCK
18	R 54921	-	NUT, ROUND
19	AR 61172	-	SPRING, STARTING
20	R 53920	-	BEARING, ASSEMBLY
21	R 53921	-	SHIM, .008" (0.2MM) (USE AS REQUIRED)
22	R 53922	-	SHIM, .012" (0.3MM) (USE AS REQUIRED)
23	R 53923	-	SHIM, .016" (0.4MM) (USE AS REQUIRED)
24	R 53924	-	SHIM, .039" (1.0MM) (USE AS REQUIRED)
25	R 53943	-	LEVER, GUIDE
26	AR 61174	-	SPRING, GOVERNOR, MAIN
27	R 53931	-	LEVER, SWIVELING
28	R 53930	-	SLIDER
29	R 53932	-	LEVER, FLOATING
30	AR 63569	-	RING, RETAINING (2 USED)
31	R 53953	-	SHACKLE
32		-	CLIP, RETAINING

FUEL INJECTION PUMP GOVERNOR - CONTINUED
(6404T)
(ENGINE SERIAL NO. 445570-)
CODE 1601 INJECTION PUMP, REGULAR GOVERNOR

KEY	PART NO.	ENGINE SERIAL NO.	DESCRIPTION
28	R	53950	SPRING, .768" (19.5MM)
29	R	53951	SPRING, .925" (23.5MM)
30	R	53952	SPRING, 1.043" (26.5MM)
31	R	53949	CAPSULE, SPRING LEVER
32	R	53946	BUSHING, THREADED
33	R	54922	SPRING
34	R	60921	SCREW, SPECIAL
35	AR	63565	LEVER, SHUT-OFF
36	T	24229	WASHER, LOCK
37	R	53976	SCREW
38	R	53956	RETAINER, SPRING
39	R	53955	O-RING
40	R	53947	SHAFT
41	R	53948	LEVER
42	R	53923	PIN
43	R	53958	PIN, STOP
44	AR	65361	COVER, GOVERNOR
45	R	53936	RING, RETAINING (2 USED)
46	R	53935	O-RING (2 USED)
47	R	53934	BUSHING (2 USED)
48	R	53937	O-RING
49	R	53938	SPACER, .012" (0.3MM) (USE AS REQUIRED)
	R	53939	SPACER, .039" (1.0MM) (USE AS REQUIRED)
	R	53940	SPACER, .0196" (0.5MM) (USE AS REQUIRED)
50	AR	63564	LEVER, CONTROL, L.H.
51	R	53976	SCREW
52	T	24229	WASHER, LOCK
53	R	53942	WASHER
54	R	53960	NUT, CAP
55	T	24224	WASHER, COPPER (2 USED)
56	R	53959	SCREW, LOW IDLE STOP
57	R	54300	DECAL, GOVERNOR CALIBRATING
58	R	54924	SPRING
59	R	53961	CAPSULE, SPRING
60	T	24282	NUT, HEX
61	R	53963	NUT, LOCK
62	R	53964	NUT, CAP
63	T	25118	WASHER, COPPER (2 USED)
64	R	55066	BRACKET
	R	53300	CLIP (PUMP SHUT-OFF CABLE)
	37H	133	SCREW, TAPPING, NO. 8 X 5/8"
65	R	53976	SCREW, INNER (2 USED)
66	R	53972	WIRE, SEALING
	T	31575	SEAL, LEAD
67	R	54926	SCREW, OUTER (2 USED)
68	AR	63566	COVER
69	R	53966	GASKET
70	T	31556	NUT, HEX
71	R	53969	SCREW, FILL. HD. (LOWER) (4 USED)
	R	53970	SCREW, FILL. HD. (UPPER) (2 USED)
72	R	53929	SCREW, FULL LOAD STOP
73	R	53928	NUT, LOCK
74	R	53926	SHAFT
75	R	53927	PLUG, SEALING (2 USED)
76	R	53971	GASKET
77	R	53925	LEVER, TENSIONING
78	AR	73861	CAPSULE, TORQUE CONTROL, COMPLETE
79	R	60916	PLUG, CAP
80	R	54932	O-RING

FUEL INJECTION PUMP ANEROID
(6404T)
(ENGINE SERIAL NO. 445570-)
CODE 1601 INJECTION SYSTEM, REGULAR GOVERNOR

R24920



R 24920

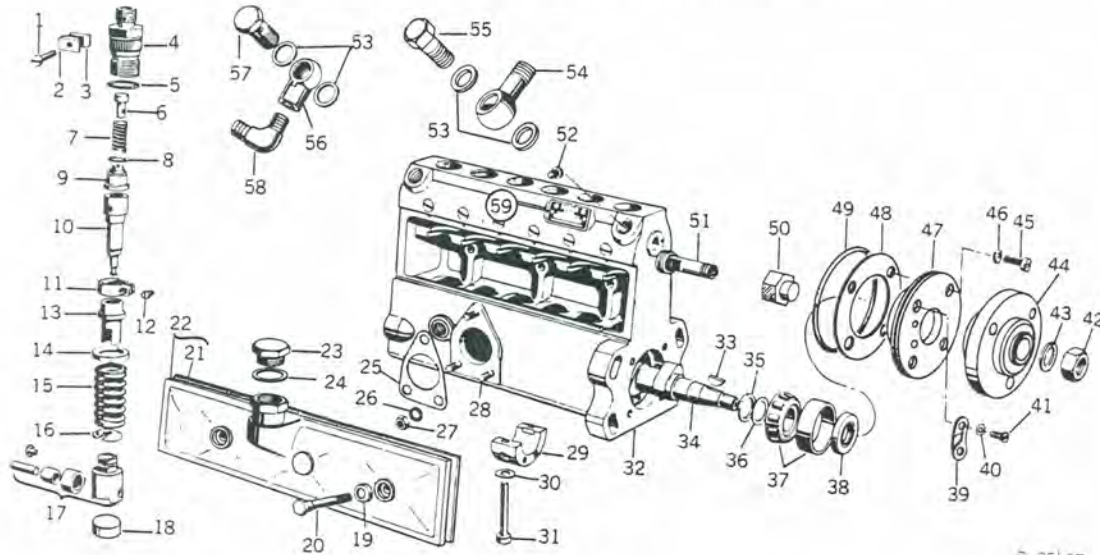
KEY	PART NO.	ENGINE SERIAL NO.	DESCRIPTION
1	R 62106	-	SCREW, SPECIAL
2	R 62107	-	WASHER, COPPER (2 USED)
3	R 26373	-	SPRING
4	R 62105	-	WIRE, RESTRICTOR
5	R 62104	-	VALVE, CAPILLARY
6	R 63063	-	SCREW, SPECIAL (2 USED)
7	R 63062	-	HOUSING
8	R 63061	-	GASKET
9	R 63060	-	PISTON
10	R 63059	-	SPRING
11	R 53932	-	RING, RETAINING
12	R 63058	-	WASHER
13	R 53995	-	SCREW
14	R 54933	-	NUT, STOP
15	R 63057	-	SPRING
16	R 63054	-	SHAFT
17	R 63056	-	SPRING
18	R 63064	-	LEVER
19	R 53997	-	RING, RETAINING
20	R 54936	-	PLUG
21	R 53972	-	WIRE, SEALING (2 USED)
	T 31575	-	SEAL, LEAD (2 USED)
22	R 53991	-	SCREW, WITH HOLE (2 USED)
23	T 24229	-	WASHER, LOCK (2 USED)
24	R 54005	-	PLUG
25	R 54004	-	WASHER
26	R 54931	-	SHAFT

FUEL INJECTION PUMP ANEROID - CONTINUED
 (6404T)
 (ENGINE SERIAL NO. 445570-)
 CODE 1601 INJECTION SYSTEM, REGULAR GOVERNOR

KEY	PART NO.	ENGINE SERIAL NO.	DESCRIPTION
27	R 54932	(-)	O-RING
28	AR 63568	(-)	HOUSING, ANEROID
29	R 53978	(-)	BUSHING, GUIDE
30	R 53982	(-)	SPRING
31	R 53985	(-)	SEAT, SPRING, UPPER
32	R 60911	(-)	STAKE
33	R 60910	(-)	CLIP
34	R 53981	(-)	SCREW (2 USED)
35	T 24229	(-)	WASHER, LOCK (2 USED)
36	R 53983	(-)	DIAPHRAGM
37	R 53986	(-)	WASHER, THRUST
38	R 53987	(-)	WASHER, LOCK
39	T 31556	(-)	NUT, HEX
40	R 53942	(-)	WASHER (2 USED)
41	R 54930	(-)	SCREW, WITH HOLE
42	R 53988	(-)	NUT, CAP
43	T 24223	(-)	GASKET
44	R 54006	(-)	NUT, ROUND
45	T 32330	(-)	SCREW, THREADED
46	R 54887	(-)	SCREW, FILL. HD. (3 USED)
47	R 53989	(-)	COVER
..	AR 63830	(-)	ANEROID, COMPLETE

FUEL INJECTION PUMP PARTS
 (6404T)
 (ENGINE SERIAL NO. 445570-)
 CODE 1604 INJECTION SYSTEM, 3%-5% GOVERNOR

R25427



R 25427

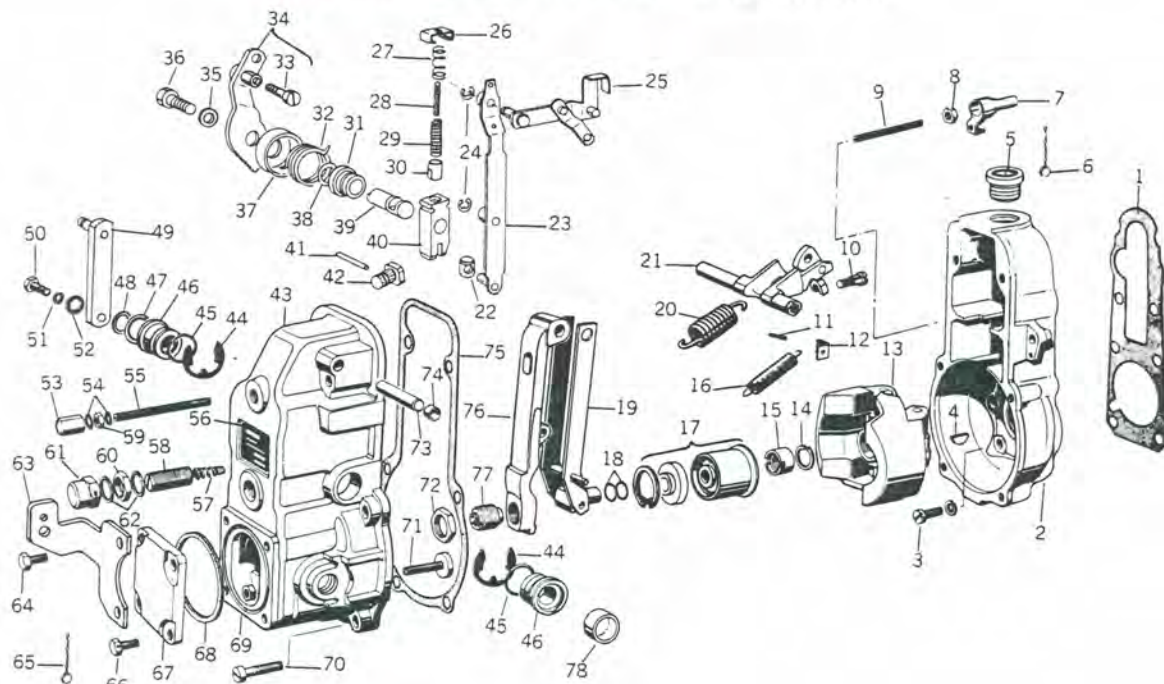
KEY	PART NO.	ENGINE SERIAL NO.	DESCRIPTION
1	R 54859	(-)	SCREW (3 USED)
2	R 54857	(-)	JAW, CLAMPING, WITH THROUGH HOLE (3 USED)
3	R 54858	(-)	JAW, CLAMPING, WITH THREADED HOLE (3 USED)
4	R 63065	(-)	HOLDER, DELIVERY VALVE (6 USED)
5	R 54856	(-)	O-RING (6 USED)
6	R 54881	(-)	SPACER (6 USED)
7	R 54854	(-)	SPRING (6 USED)
8	R 54853	(-)	GASKET (6 USED)
9	AR 63554	(-)	VALVE, DELIVERY (6 USED)
10	AR 63553	(-)	PLUNGER AND BARREL (6 USED)
11	R 54851	(-)	SEGMENT, GEAR (6 USED)
12	R 54852	(-)	SCREW (6 USED)
13	R 54850	(-)	SLEEVE, CONTROL (6 USED)
14	R 54849	(-)	SEAT, SPRING, UPPER (6 USED)
15	R 54848	(-)	SPRING (6 USED)
16	R 54847	(-)	SEAT, SPRING, LOWER (6 USED)
17	AR 63552	(-)	TAPPET, ROLLER, ASSEMBLY (6 USED)
18	R 54846	(-)	PLUG, PUMP HOUSING, BASE (6 USED)
19	T 24224	(-)	WASHER, COPPER (2 USED)
20	R 54876	(-)	SCREW, INSPECTION COVER (2 USED)
21	R 54875	(-)	GASKET
22	AR 63557	(-)	COVER, INJECTION PUMP, WITH GASKET
23	R 54877	(-)	PLUG, CLOSING
24	R 54004	(-)	GASKET
25	R 53161	(-)	GASKET
26	T 24229	(-)	WASHER, LOCK (3 USED)
27	T 31556	(-)	NUT (3 USED)
28	R 53897	(-)	STUD (3 USED)
29	R 54878	(-)	SUPPORT, CENTER BEARING
30	R 54880	(-)	WASHER, LOCK (2 USED)
31	R 54879	(-)	SCREW (2 USED)
32	AR 63551	(-)	HOUSING, PUMP
33	R 53888	(-)	KEY, WOODRUFF
34	R 54862	(-)	CAMSHAFT
35	R 54863	(-)	SPACER, GOVERNOR END

FUEL INJECTION PUMP PARTS - CONTINUED
(6404T)
(ENGINE SERIAL NO. 445570-)
CODE 1604 INJECTION SYSTEM, 3%-5% GOVERNOR

KEY	PART NO.	ENGINE SERIAL NO.	DESCRIPTION
36	R 55152	(-)	SHIM, .0039" (0.10MM) (USE AS REQUIRED) (DRIVE END)
	R 54864	(-)	SHIM, .0047" (0.12MM) (USE AS REQUIRED) (DRIVE END)
	R 54865	(-)	SHIM, .0055" (0.14MM) (USE AS REQUIRED) (DRIVE END)
	R 54866	(-)	SHIM, .0063" (0.16MM) (USE AS REQUIRED) (DRIVE END)
	R 54867	(-)	SHIM, .0071" (0.18MM) (USE AS REQUIRED) (DRIVE END)
	R 54868	(-)	SHIM, .0197" (0.50MM) (USE AS REQUIRED) (DRIVE END)
	R 54869	(-)	SHIM, .0118" (0.30MM) (USE AS REQUIRED) (DRIVE END)
	R 54870	(-)	SHIM, .0039" (0.10MM) (USE AS REQUIRED) (GOVERNOR END)
	R 55153	(-)	SHIM, .0047" (0.12MM) (USE AS REQUIRED) (GOVERNOR END)
	R 55154	(-)	SHIM, .0055" (0.14MM) (USE AS REQUIRED) (GOVERNOR END)
	R 55155	(-)	SHIM, .0063" (0.16MM) (USE AS REQUIRED) (GOVERNOR END)
	R 55156	(-)	SHIM, .0071" (0.18MM) (USE AS REQUIRED) (GOVERNOR END)
	R 55157	(-)	SHIM, .0197" (0.50MM) (USE AS REQUIRED) (GOVERNOR END)
	R 55159	(-)	SHIM, .0390" (1.00MM) (USE AS REQUIRED) (GOVERNOR END)
	R 55160	(-)	SHIM, .0118" (0.30MM) (USE AS REQUIRED) (GOVERNOR END)
	R 55158	(-)	SHIM, .0118" (0.30MM) (USE AS REQUIRED) (GOVERNOR END)
37	AR 63555	(-)	BEARING, TAPER ROLLER (DRIVE END)
	AR 63941	(-)	BEARING, TAPER ROLLER (GOVERNOR END)
38	AR 63556	(-)	SEAL
39	R 54882	(-)	POINTER, TIMING
40	R 54884	(-)	WASHER (2 USED)
41	R 54883	(-)	SCREW (2 USED)
42	R 53886	(-)	NUT, HEX
43	R 53887	(-)	WASHER, LOCK
44	R 54885	(-)	HUB, DRIVE
45	R 60908	(-)	SCREW (2 USED)
46	R 54874	(-)	WASHER, LOCK (2 USED)
47	R 54872	(-)	ENDPLATE BEARING
48	R 54873	(-)	O-RING
49	R 60909	(-)	GASKET
50	AR 69158	(-)	CAP, CONTROL RACK, WITH MAGNET
51	R 54860	(-)	RACK, CONTROL
52	R 54861	(-)	SCREW, RACK LOCATING
53	R 53901	(-)	GASKET (4 USED)
54	R 58608	(-)	CONNECTOR, BANJO
55	R 53903	(-)	SCREW, HOLLOW
56	R 53162	(-)	CONNECTOR, BANJO
57	R 53903	(-)	SCREW, HOLLOW
58	R 57641	(-)	ELBOW, 90°
59	T 31508	(-)	NAMEPLATE

FUEL INJECTION PUMP GOVERNOR
 (6404T)
 (ENGINE SERIAL NO. 445570-)
 CODE 1604 INJECTION SYSTEM, 3%-5% GOVERNOR

R25431



R 25431

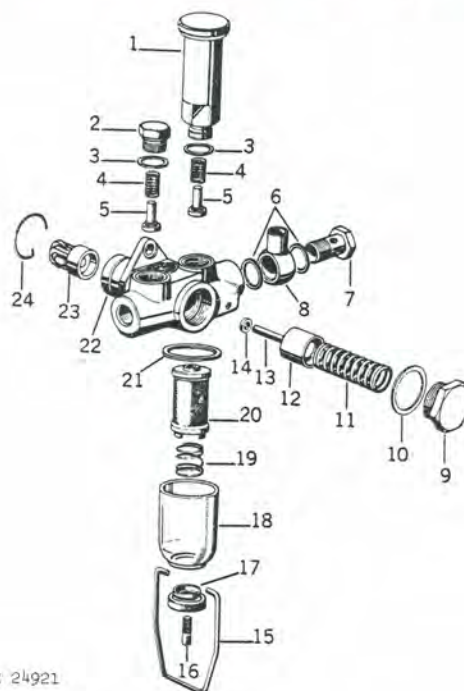
KEY	PART NO.	ENGINE SERIAL NO.	DESCRIPTION
1	R 55064	-	GASKET
2	R 56989	-	HOUSING, GOVERNOR
3	R 53885	-	SCREW, FILL HD. (6 USED)
	T 24229	-	WASHER, LOCK (6 USED)
4	T 24295	-	KEY, WOODRUFF
5	R 56990	-	PLUG
6	R 53972	-	WIRE, SEALING
	T 31575	-	SEAL, LEAD
7	R 53918	-	CAPSULE, SEALING
	AR 63560	-	SEAL, STOP SCREW (SUB. R53972 AND T31575)
8	T 31556	-	NUT, LOCK
9	R 53917	-	SCREW, HIGH SPEED STOP
10	R 60915	-	SCREW
	R 53945	-	TUBE (2 USED) (SUB. R54921)
11	R 53945	-	BRACKET
12	R 60912	-	FLYWEIGHT ASSEMBLY
13	AR 73730	-	WASHER, LOCK
14	R 53912	-	NUT, RD.
15	R 53911	-	SPRING, STARTING
16	R 54921	-	BEARING, ASSEMBLY
17	AR 61172	-	SHIM, .008" (0.2MM) (USE AS REQUIRED)
18	R 53920	-	SHIM, .012" (0.3MM) (USE AS REQUIRED)
	R 53921	-	SHIM, .016" (0.4MM) (USE AS REQUIRED)
	R 53922	-	SHIM, .039" (1.0MM) (USE AS REQUIRED)
	R 53923	-	LEVER, GUIDE
19	R 53924	-	LEVER, GOVERNOR, MAIN
20	R 60913	-	LEVER, SWIVELING
21	AR 61174	-	SLIDER
22	R 53931	-	LEVER, FLOATING
23	R 53930	-	RING, RETAINING (2 USED)
24	R 53932	-	SHACKLE
25	AR 73858	-	CLIP, RETAINING
26	R 53953	-	

FUEL INJECTION PUMP GOVERNOR - CONTINUED
 (6404T)
 (ENGINE SERIAL NO. 445570-)
 CODE 1604 INJECTION SYSTEM, 3%-5% GOVERNOR

KEY	PART NO.	ENGINE SERIAL NO.	DESCRIPTION
27	R 53950	-	SPRING, .768" (19.5MM)
28	R 53951	-	SPRING, .925" (23.5MM)
29	R 53952	-	SPRING, 1.043" (26.5MM)
30	R 53949	-	CAPSULE, SPRING LEVER
31	R 53946	-	BUSHING, THREADED
32	R 54922	-	SPRING
33	R 60921	-	SCREW, SPECIAL
34	AR 63565	-	LEVER, SHUT-OFF
35	T 24229	-	WASHER, LOCK
36	R 53941	-	SCREW, SPECIAL
37	R 53956	-	RETAINER, SPRING
38	R 53955	-	O-RING
39	R 53947	-	SHAFT
40	R 53948	-	LEVER
41	R 54923	-	PIN
42	R 53958	-	PIN, STOP
43	AR 63561	-	COVER, GOVERNOR
44	R 53936	-	RING, RETAINING (2 USED)
45	R 53935	-	O-RING (2 USED)
46	R 53934	-	BUSHING (2 USED)
47	R 53937	-	O-RING
48	R 53938	-	SPACER, .012" (0.3MM) (USE AS REQUIRED)
	R 53939	-	SPACER, .039" (1.0MM) (USE AS REQUIRED)
	R 53940	-	SPACER, .0196" (0.5MM) (USE AS REQUIRED)
49	R 55065	-	LEVER, CONTROL, R.H.
50	R 53976	-	SCREW, SPECIAL
51	T 24229	-	WASHER, LOCK
52	R 53942	-	WASHER
53	R 53960	-	NUT, CAP
54	T 24224	-	WASHER, COPPER (2 USED)
55	R 60914	-	SCREW, LOW IDLE STOP
56	R 54300	-	DECAL, GOVERNOR CALIBRATING
57	R 53962	-	SPRING
58	R 53961	-	CAPSULE, SPRING
59	T 24282	-	NUT, HEX.
60	R 53963	-	NUT, LOCK
61	R 53964	-	NUT, CAP
62	T 25118	-	WASHER, COPPER (2 USED)
63	R 55066	-	BRACKET, BOWDEN WIRE
	R 53300	-	CLIP (PUMP SHUT-OFF CABLE)
	37H 133	-	SCREW, TAPPING, NO. 8 X 5/8"
64	R 60908	-	SCREW, UPPER (2 USED)
65	R 53972	-	WIRE, SEALING
	T 31575	-	SEAL, LEAD
66	R 54926	-	SCREW, LOWER (2 USED)
67	AR 63566	-	COVER
68	R 53966	-	GASKET
69	T 31556	-	NUT, HEX
70	R 53969	-	SCREW, FILL. HD. (LOWER) (4 USED)
	R 53970	-	SCREW, FILL. HD. (UPPER) (4 USED)
71	R 53929	-	SCREW, FULL LOAD STOP
72	R 53928	-	NUT, LOCK
73	R 53926	-	SHAFT
74	R 53927	-	PLUG, SEALING (2 USED)
75	R 53971	-	GASKET
76	R 53925	-	LEVER, TENSIONING
77	AR 73859	-	CAPSULE, TORQUE CONTROL, COMPLETE
78	R 60916	-	PLUG, CAP

FUEL TRANSFER PUMP
 (6404T)
 (ENGINE SERIAL NO. 445570-)
 CODE 1601 INJECTION PUMP, REGULAR GOVERNOR
 CODE 1604 INJECTION SYSTEM, 3%-5% GOVERNOR

R24921

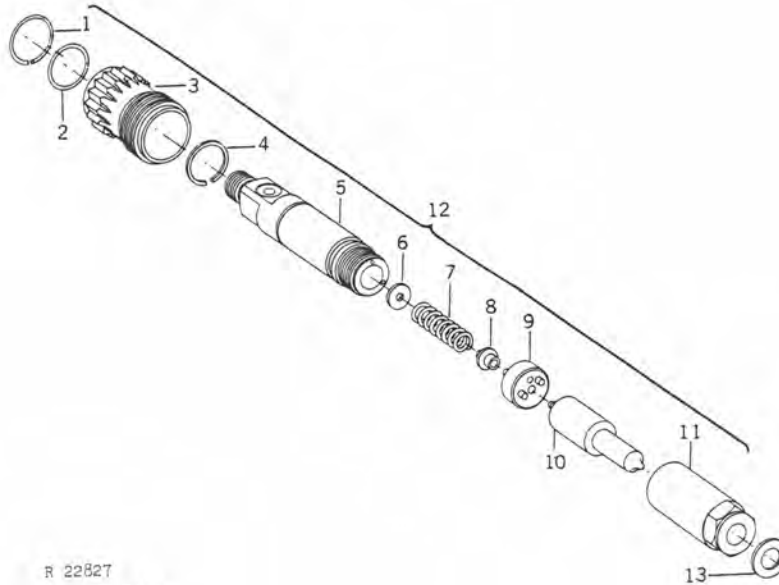


R 24921

KEY	PART NO.	ENGINE SERIAL NO.	DESCRIPTION
1	R 54033	-) PRIMER, HAND
2	R 54024	-) PLUG, SCREW
3	R 54025	-) GASKET (2 USED)
4	R 54023	-) SPRING (2 USED)
5	R 54022	-) VALVE (2 USED)
6	R 53901	-) GASKET (4 USED)
7	R 53903	-) SCREW, HOLLOW (2 USED)
8	R 53902	-) FITTING, BANJO (2 USED)
9	R 55069	-) PLUG, SCREW
10	R 54016	-) GASKET
11	R 54011	-) SPRING
12	...	-) PLUNGER, PUMP (ORDER AR63831)
13	...	-) SPINDLE, PRESSURE (ORDER AR63831)
14	R 54013	-) O-RING
15	R 54030	-) CLIP
16	R 54032	-) BOLT, STUD
17	R 54031	-) NUT, CLAMPING
18	R 54027	-) HOUSING, FILTER (GLASS)
19	R 54029	-) SPRING
20	R 54026	-) FILTER
21	R 54028	-) GASKET
22	AR 63831	-) PUMP, FUEL TRANSFER, COMPLETE (INCLUDES ALL PARTS SHOWN ON THIS PAGE)
23	AR 73857	-) TAPPET, ROLLER
24	R 54021	-) RING, SNAP
..	R 53161	-) GASKET, FUEL TRANSFER PUMP

FUEL INJECTION NOZZLE
 (6404T)
 (ENGINE SERIAL NO. 445570-)
 CODE 1601 INJECTION SYSTEM, REGULAR GOVERNOR
 CODE 1604 INJECTION SYSTEM, 3%-5% GOVERNOR

R22827

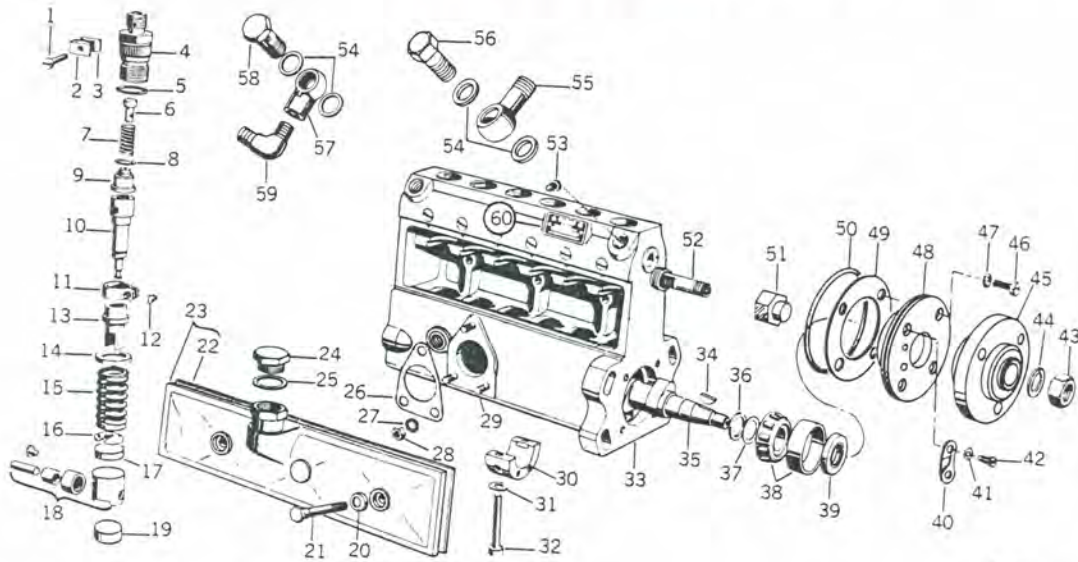


R 22827

KEY	PART NO.	ENGINE SERIAL NO.	DESCRIPTION
1	R 60277	(-)	RING, SNAP
2	R 51603	(-)	O-RING, 5/8" X 3/32" (15.55MM X 2.62MM)
	R 33259	(-)	O-RING, 9/16" X 1/16" (14.00MM X 1.78MM)
3	R 60279	(-)	SCREW, HOLLOW
4	R 60278	(-)	RING, SNAP
5	R 60272	(-)	HOLDER, NOZZLE
6	R 60280	(-)	SHIM, .039" (0.99MM) PRESSURE ADJUSTING
	R 60281	(-)	SHIM, .041" (1.04MM) PRESSURE ADJUSTING
	R 60282	(-)	SHIM, .043" (1.09MM) PRESSURE ADJUSTING
	R 60283	(-)	SHIM, .045" (1.14MM) PRESSURE ADJUSTING
	R 60284	(-)	SHIM, .047" (1.19MM) PRESSURE ADJUSTING
	R 60285	(-)	SHIM, .049" (1.24MM) PRESSURE ADJUSTING
	R 60286	(-)	SHIM, .051" (1.29MM) PRESSURE ADJUSTING
	R 60287	(-)	SHIM, .053" (1.34MM) PRESSURE ADJUSTING
	R 60288	(-)	SHIM, .055" (1.39MM) PRESSURE ADJUSTING
	R 60289	(-)	SHIM, .057" (1.44MM) PRESSURE ADJUSTING
	R 60290	(-)	SHIM, .059" (1.49MM) PRESSURE ADJUSTING
	R 60291	(-)	SHIM, .061" (1.54MM) PRESSURE ADJUSTING
	R 60292	(-)	SHIM, .063" (1.60MM) PRESSURE ADJUSTING
	R 60293	(-)	SHIM, .065" (1.65MM) PRESSURE ADJUSTING
	R 60294	(-)	SHIM, .067" (1.70MM) PRESSURE ADJUSTING
	R 60295	(-)	SHIM, .069" (1.75MM) PRESSURE ADJUSTING
	R 60296	(-)	SHIM, .071" (1.80MM) PRESSURE ADJUSTING
	R 60297	(-)	SHIM, .073" (1.85MM) PRESSURE ADJUSTING
	R 60298	(-)	SHIM, .075" (1.90MM) PRESSURE ADJUSTING
	R 60299	(-)	SHIM, .077" (1.95MM) PRESSURE ADJUSTING
7	R 60273	(-)	SPRING
8	R 60274	(-)	SEAT, SPRING
9	R 60275	(-)	PLATE, INTERMEDIATE
10	AR 74668	(-)	NOZZLE
11	R 60276	(-)	NUT, NOZZLE RETAINING
12	AR 73127	(-)	HOLDER, FUEL INJECTION, LESS NOZZLE (6 USED)
13	R 59104	(-)	WASHER, ALUMINUM (6 USED)

FUEL INJECTION PUMP PARTS
 (6404A)
 (ENGINE SERIAL NO. 445570-)
 CODE 1601 INJECTION SYSTEM - REGULAR GOVERNOR

R24918



R 24918

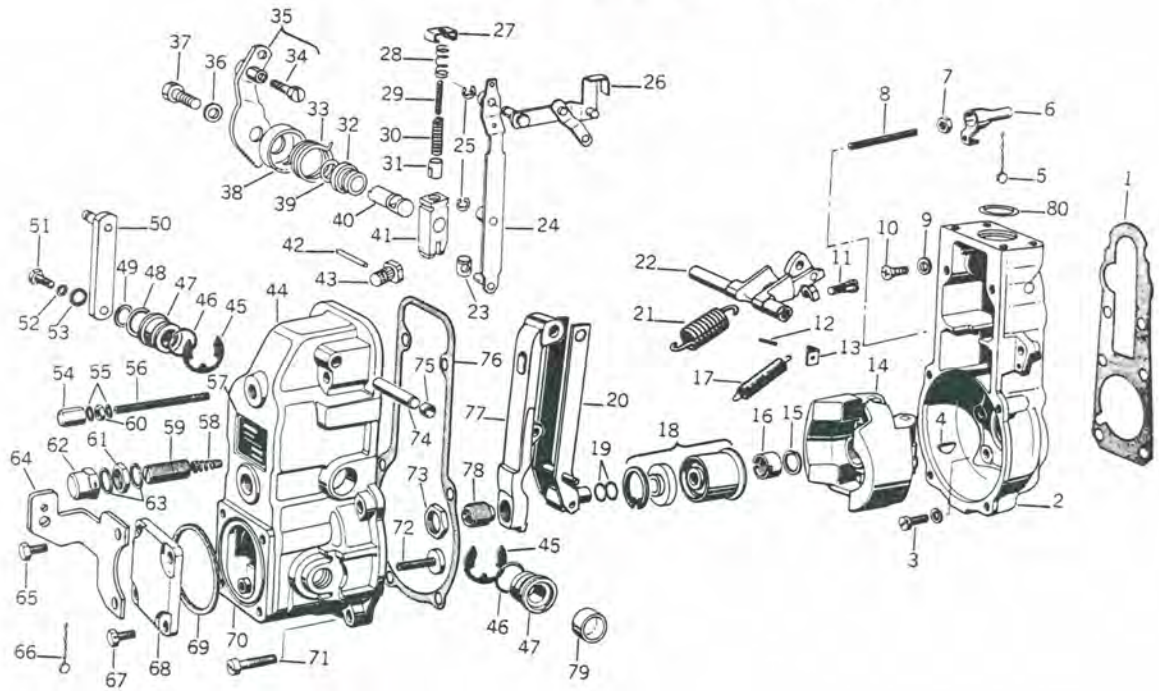
KEY	PART NO.	ENGINE SERIAL NO.	DESCRIPTION
1	R 54859	-	SCREW (3 USED)
2	R 54857	-	JAW, CLAMPING, WITH THROUGH HOLE (3 USED)
3	R 54858	-	JAW, CLAMPING, WITH THREADED HOLE (3 USED)
4	R 63065	-	HOLDER, DELIVERY VALVE (6 USED)
5	R 54856	-	O-RING (6 USED)
6	R 54881	-	SPACER (6 USED)
7	R 54854	-	SPRING (6 USED)
8	R 54853	-	GASKET (6 USED)
9	R 54892	-	VALVE, DELIVERY (6 USED)
10	AR 63559	-	PLUNGER AND BARREL (6 USED)
11	R 54851	-	SEGMENT, GEAR (6 USED)
12	R 54852	-	SCREW (6 USED)
13	R 54850	-	SLEEVE, CONTROL (6 USED)
14	R 54849	-	SEAT, SPRING, UPPER (6 USED)
15	R 54891	-	SPRING (6 USED)
16	R 54847	-	SEAT, SPRING, LOWER (6 USED)
17	R 54894	-	SPACER, .311" (7.90MM)
	R 54895	-	SPACER, .313" (7.95MM)
	R 54896	-	SPACER, .315" (8.00MM)
	R 54897	-	SPACER, .317" (8.05MM)
	R 54898	-	SPACER, .319" (8.10MM)
	R 54899	-	SPACER, .321" (8.15MM)
	R 54900	-	SPACER, .323" (8.20MM)
	R 54901	-	SPACER, .325" (8.25MM)
	R 54902	-	SPACER, .327" (8.30MM)
	R 54903	-	SPACER, .329" (8.35MM)
	R 54904	-	SPACER, .331" (8.40MM)
	R 54905	-	SPACER, .333" (8.45MM)
	R 54906	-	SPACER, .335" (8.50MM)
	R 54907	-	SPACER, .337" (8.55MM)
	R 54908	-	SPACER, .339" (8.60MM)
	R 54909	-	SPACER, .341" (8.65MM)
	R 54910	-	SPACER, .343" (8.70MM)
	R 54911	-	SPACER, .345" (8.75MM)
	R 54912	-	SPACER, .346" (8.80MM)
18	AR 63829	-	TAPPET, ROLLER, ASSEMBLY (6 USED)
19	R 55063	-	PLUG, PUMP HOUSING, BASE (6 USED)

FUEL INJECTION PUMP PARTS - CONTINUED
 (6404A)
 (ENGINE SERIAL NO. 445570-)
 CODE 1601 INJECTION SYSTEM, REGULAR GOVERNOR

KEY	PART NO.	ENGINE SERIAL NO.	DESCRIPTION
20	T 24224	-	WASHER, COPPER (2 USED)
21	R 54876	-	SCREW, INSPECTION COVER (2 USED)
22	R 54875	-	GASKET
23	AR 63557	-	COVER, INSPECTION, WITH GASKET
24	R 54877	-	PLUG, CLOSING
25	R 54004	-	GASKET
26	R 53161	-	GASKET
27	T 24229	-	WASHER, LOCK (3 USED)
28	T 31556	-	NUT (3 USED)
29	R 53897	-	STUD (3 USED)
30	R 55062	-	SUPPORT, CENTER BEARING
31	R 54880	-	WASHER, LOCK (2 USED)
32	R 54879	-	SCREW (2 USED)
33	AR 63558	-	HOUSING, PUMP
34	R 53888	-	KEY, WOODRUFF
35	R 54893	-	CAMSHAFT
36	R 54863	-	SPACER, GOVERNOR END
37	R 55152	-	SHIM, .0039" (0.10MM) (USE AS REQUIRED) (DRIVE END)
	R 54864	-	SHIM, .0047" (0.12MM) (USE AS REQUIRED) (DRIVE END)
	R 54865	-	SHIM, .0055" (0.14MM) (USE AS REQUIRED) (DRIVE END)
	R 54866	-	SHIM, .0063" (0.16MM) (USE AS REQUIRED) (DRIVE END)
	R 54867	-	SHIM, .0071" (0.18MM) (USE AS REQUIRED) (DRIVE END)
	R 54868	-	SHIM, .0197" (0.50MM) (USE AS REQUIRED) (DRIVE END)
	R 54869	-	SHIM, .0118" (0.30MM) (USE AS REQUIRED) (DRIVE END)
	R 54870	-	SHIM, .0039" (0.10MM) (USE AS REQUIRED) (GOVERNOR END)
	R 55153	-	SHIM, .0047" (0.12MM) (USE AS REQUIRED) (GOVERNOR END)
	R 55154	-	SHIM, .0055" (0.14MM) (USE AS REQUIRED) (GOVERNOR END)
	R 55155	-	SHIM, .0063" (0.16MM) (USE AS REQUIRED) (GOVERNOR END)
	R 55156	-	SHIM, .0071" (0.18MM) (USE AS REQUIRED) (GOVERNOR END)
	R 55157	-	SHIM, .0197" (0.50MM) (USE AS REQUIRED) (GOVERNOR END)
	R 55159	-	SHIM, .0390" (1.00MM) (USE AS REQUIRED) (GOVERNOR END)
	R 55160	-	SHIM, .0118" (0.30MM) (USE AS REQUIRED) (GOVERNOR END)
	R 55158	-	SHIM, .0118" (0.30MM) (USE AS REQUIRED) (GOVERNOR END)
38	AR 63555	-	BEARING, TAPER ROLLER (DRIVE END)
	AR 63941	-	BEARING, TAPER ROLLER (GOVERNOR END)
39	AR 63556	-	SEAL
40	R 54882	-	POINTER, TIMING
41	R 54884	-	WASHER (2 USED)
42	R 54883	-	SCREW (2 USED)
43	R 53886	-	NUT, HEX
44	R 53887	-	WASHER, LOCK
45	R 54885	-	HUB, DRIVE
46	R 60908	-	SCREW (2 USED)
47	R 54874	-	WASHER, LOCK (2 USED)
48	R 54872	-	ENDPLATE BEARING
49	R 54873	-	O-RING
50	R 60909	-	GASKET
51	AR 69158	-	CAP, CONTROL RACK, WITH MAGNET
52	R 54860	-	RACK, CONTROL
53	R 54861	-	SCREW, RACK LOCATING
54	R 53901	-	GASKET (4 USED)
55	R 58608	-	CONNECTOR, BANJO
56	R 53903	-	SCREW, HOLLOW
57	R 53162	-	CONNECTOR, BANJO
58	R 53903	-	SCREW, HOLLOW
59	U 45538	-	ELBOW, 90°
60	T 31508	-	NAMEPLATE

FUEL INJECTION PUMP GOVERNOR
(6404A)
(ENGINE SERIAL NO. 445570-)
CODE 1601 INJECTION PUMP, REGULAR GOVERNOR

R24919



R 24919

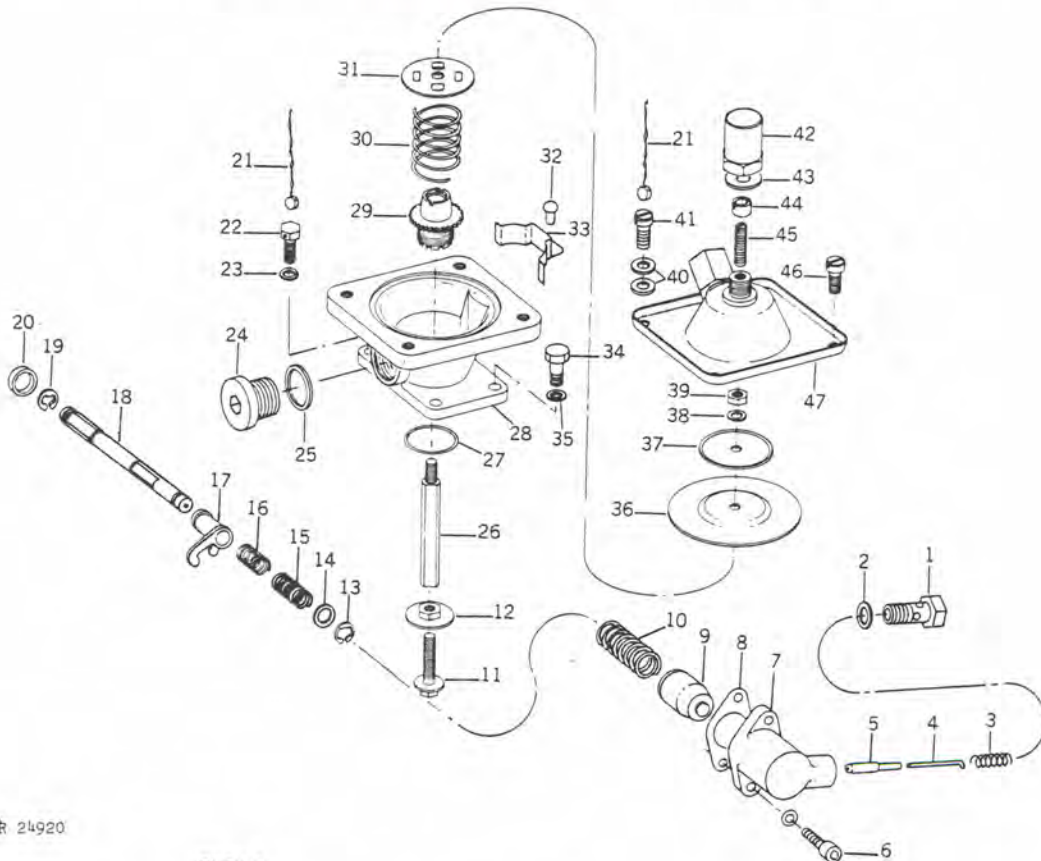
KEY	PART NO.	ENGINE SERIAL NO.	DESCRIPTION
1	R 55064	-	GASKET
2	AR 77812	-	HOUSING, GOVERNOR
3	R 53885	-	SCREW, FILL. HD. (6 USED)
	T 24229	-	WASHER, LOCK (6 USED)
4	T 24295	-	KEY, WOODRUFF
5	R 53972	-	WIRE, SEALING
	T 31575	-	SEAL, LEAD
6	R 53918	-	CAPSULE, SEALING
7	T 31556	-	NUT, LOCK
8	R 53917	-	SCREW, HIGH SPEED STOP
9	R 54938	-	SPACER
10	R 54937	-	SCREW, SPECIAL
11	R 53919	-	SCREW, SPECIAL
12	R 53945	-	TUBE (2 USED) (SUB. R54921)
13	R 53915	-	BRACKET
14	AR 61171	-	FLYWHEEL ASSEMBLY
15	R 53912	-	WASHER, LOCK
16	R 53911	-	NUT, ROUND
17	R 54921	-	SPRING, STARTING
18	AR 61172	-	BEARING, ASSEMBLY
19	R 53920	-	SHIM, .008" (0.2MM) (USE AS REQUIRED)
	R 53921	-	SHIM, .012" (0.3MM) (USE AS REQUIRED)
	R 53922	-	SHIM, .016" (0.4MM) (USE AS REQUIRED)
	R 53923	-	SHIM, .039" (1.0MM) (USE AS REQUIRED)
20	R 53924	-	LEVER, GUIDE
21	R 53943	-	SPRING, GOVERNOR, MAIN
22	AR 61174	-	LEVER, SWIVELING
23	R 53931	-	SLIDER
24	R 53930	-	LEVER, FLOATING
25	R 53932	-	RING, RETAINING (2 USED)
26	AR 63569	-	SHACKLE
27	R 53953	-	CLIP, RETAINING

FUEL INJECTION PUMP GOVERNOR - CONTINUED
 (6404A)
 (ENGINE SERIAL NO. 445570-)
 CODE 1601 INJECTION PUMP, REGULAR GOVERNOR

KEY	PART NO.	ENGINE SERIAL NO.	DESCRIPTION
28	R 53950	-	SPRING, .768" (19.5MM)
29	R 53951	-	SPRING, .925" (23.5MM)
30	R 53952	-	SPRING, 1.043" (26.5MM)
31	R 53949	-	CAPSULE, SPRING LEVER
32	R 53946	-	BUSHING, THREADED
33	R 54922	-	SPRING
34	R 60921	-	SCREW, SPECIAL
35	AR 63565	-	LEVER, SHUT-OFF
36	T 24229	-	WASHER, LOCK
37	R 53976	-	SCREW
38	R 53956	-	RETAINER, SPRING
39	R 53955	-	O-RING
40	R 53947	-	SHAFT
41	R 53948	-	LEVER
42	R 53923	-	PIN
43	R 53958	-	PIN, STOP
44	AR 65361	-	COVER, GOVERNOR
45	R 53936	-	RING, RETAINING (2 USED)
46	R 53935	-	O-RING (2 USED)
47	R 53934	-	BUSHING (2 USED)
48	R 53937	-	O-RING
49	R 53938	-	SPACER, .012" (0.3MM) (USE AS REQUIRED)
	R 53939	-	SPACER, .039" (1.0MM) (USE AS REQUIRED)
	R 53940	-	SPACER, .0196" (0.5MM) (USE AS REQUIRED)
50	AR 63564	-	LEVER, CONTROL, L.H.
51	R 53976	-	SCREW
52	T 24229	-	WASHER, LOCK
53	R 53942	-	WASHER
54	R 53960	-	NUT, CAP
55	T 24224	-	WASHER, COPPER (2 USED)
56	R 53959	-	SCREW, LOW IDLE STOP
57	R 54300	-	DECAL, GOVERNOR CALIBRATING
58	R 54924	-	SPRING
59	R 53961	-	CAPSULE, SPRING
60	T 24282	-	NUT, HEX
61	R 53963	-	NUT, LOCK
62	R 53964	-	NUT, CAP
63	T 25118	-	WASHER, COPPER (2 USED)
64	R 55066	-	BRACKET
	R 53300	-	CLIP (PUMP SHUT-OFF CABLE)
	37H 133	-	SCREW, TAPPING, NO. 8 X 5/8"
65	R 53976	-	SCREW, INNER (2 USED)
66	R 53972	-	WIRE, SEALING
	T 31575	-	SEAL, LEAD
67	R 54926	-	SCREW, OUTER (2 USED)
68	AR 63566	-	COVER
69	R 53966	-	GASKET
70	T 31556	-	NUT, HEX
71	R 53969	-	SCREW, FILL. HD. (LOWER) (4 USED)
	R 53970	-	SCREW, FILL. HD. (UPPER) (2 USED)
72	R 53929	-	SCREW, FULL LOAD STOP
73	R 53928	-	NUT, LOCK
74	R 53926	-	SHAFT
75	R 53927	-	PLUG, SEALING (2 USED)
76	R 53971	-	GASKET
77	R 53925	-	LEVER, TENSIONING
78	AR 73861	-	CAPSULE, TORQUE CONTROL, COMPLETE
79	R 60916	-	PLUG, CAP
80	R 54932	-	O-RING

FUEL INJECTION PUMP ANEROID
 (6404A)
 (ENGINE SERIAL NO. 445570-)
 CODE 1601 INJECTION SYSTEM, REGULAR GOVERNOR

R24920



R 24920

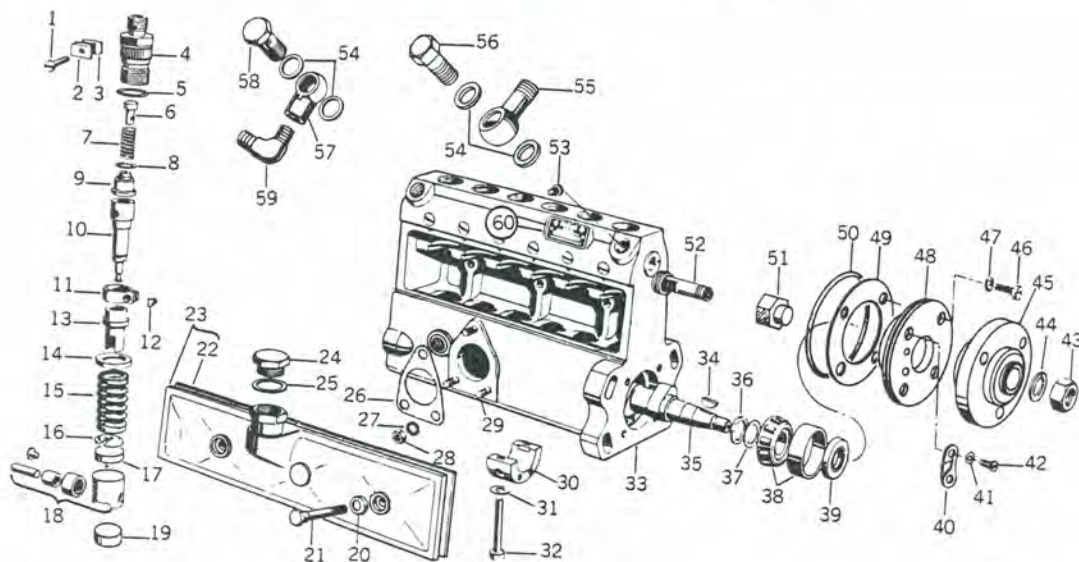
KEY	PART NO.	ENGINE SERIAL NO.	DESCRIPTION
1	R 62106	-	SCREW, SPECIAL
2	R 62107	-	WASHER, COPPER (2 USED)
3	R 26373	-	SPRING
4	R 62105	-	WIRE, RESTRICTOR
5	R 62104	-	VALVE, CAPILLARY
6	R 63063	-	SCREW, SPECIAL (2 USED)
7	R 63062	-	HOUSING
8	R 63061	-	GASKET
9	R 63060	-	PISTON
10	R 63059	-	SPRING
11	R 53932	-	RING, RETAINING
12	R 63058	-	WASHER
13	R 53995	-	SCREW
14	R 54933	-	NUT, STOP
15	R 63057	-	SPRING
16	R 63054	-	SHAFT
17	R 63056	-	SPRING
18	R 63064	-	LEVER
19	R 53997	-	RING, RETAINING
20	R 54936	-	PLUG
21	R 53972	-	WIRE, SEALING (2 USED)
	T 31575	-	SEAL, LEAD (2 USED)
22	R 53991	-	SCREW, WITH HOLE (2 USED)
23	T 24229	-	WASHER, LOCK (2 USED)
24	R 54005	-	PLUG
25	R 54004	-	WASHER
26	R 54931	-	SHAFT

FUEL INJECTION PUMP ANEROID - CONTINUED
 (6404A)
 (ENGINE SERIAL NO. 445570-)
 CODE 1601 INJECTION SYSTEM, REGULAR GOVERNOR

KEY	PART NO.	ENGINE SERIAL NO.	DESCRIPTION
27	R 54932	(-)	O-RING
28	AR 63568	(-)	HOUSING, ANEROID
29	R 53978	(-)	BUSHING, GUIDE
30	R 53982	(-)	SPRING
31	R 53985	(-)	SEAT, SPRING, UPPER
32	R 60911	(-)	STAKE
33	R 60910	(-)	CLIP
34	R 53981	(-)	SCREW (2 USED)
35	T 24229	(-)	WASHER, LOCK (2 USED)
36	R 53983	(-)	DIAPHRAGM
37	R 53986	(-)	WASHER, THRUST
38	R 53987	(-)	WASHER, LOCK
39	T 31556	(-)	NUT, HEX
40	R 53942	(-)	WASHER (2 USED)
41	R 54930	(-)	SCREW, WITH HOLE
42	R 53988	(-)	NUT, CAP
43	T 24223	(-)	GASKET
44	R 54006	(-)	NUT, ROUND
45	T 32330	(-)	SCREW, THREADED
46	R 54887	(-)	SCREW, FILL. HD. (3 USED)
47	R 53989	(-)	COVER
AR	63830	(-)	ANEROID, COMPLETE

FUEL INJECTION PUMP PARTS
(6404A)
(ENGINE SERIAL NO. 445570-)
CODE 1604 INJECTION SYSTEM, 3%-5% GOVERNOR

R24918



R 24918

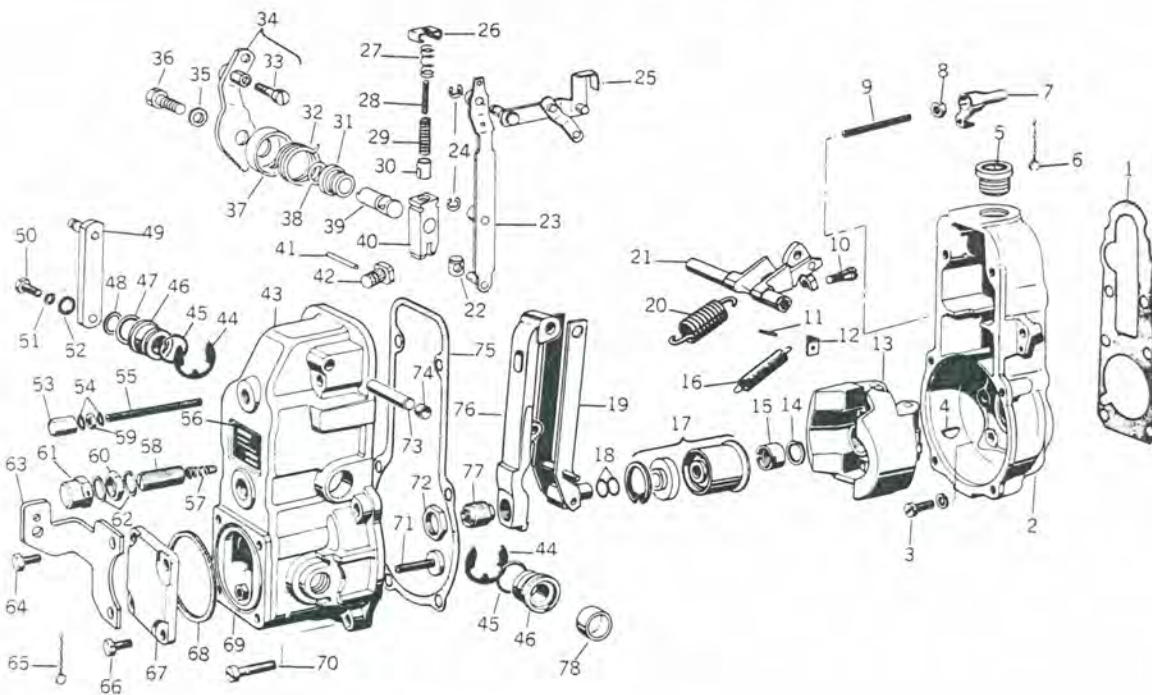
KEY	PART NO.	ENGINE SERIAL NO.	DESCRIPTION
1	R 54859	-	SCREW (3 USED)
2	R 54857	-	JAW, CLAMPING, WITH THROUGH HOLE (3 USED)
3	R 54858	-	JAW, CLAMPING, WITH THREADED HOLE (3 USED)
4	R 63065	-	HOLDER, DELIVERY VALVE (6 USED)
5	R 54856	-	O-RING (6 USED)
6	R 54881	-	SPACER (6 USED)
7	R 54854	-	SPRING (6 USED)
8	R 54853	-	GASKET (6 USED)
9	R 54892	-	VALVE, DELIVERY (6 USED)
10	AR 63559	-	PLUNGER AND BARREL (6 USED)
11	R 54851	-	SEGMENT, GEAR (6 USED)
12	R 54852	-	SCREW (6 USED)
13	R 54850	-	SLEEVE, CONTROL (6 USED)
14	R 54849	-	SEAT, SPRING, UPPER (6 USED)
15	R 54891	-	SPRING (6 USED)
16	R 54847	-	SEAT, SPRING, LOWER (6 USED)
17	R 54894	-	SPACER, .311" (7.90MM)
	R 54895	-	SPACER, .313" (7.95MM)
	R 54896	-	SPACER, .315" (8.00MM)
	R 54897	-	SPACER, .317" (8.05MM)
	R 54898	-	SPACER, .319" (8.10MM)
	R 54899	-	SPACER, .321" (8.15MM)
	R 54900	-	SPACER, .323" (8.20MM)
	R 54901	-	SPACER, .325" (8.25MM)
	R 54902	-	SPACER, .327" (8.30MM)
	R 54903	-	SPACER, .329" (8.35MM)
	R 54904	-	SPACER, .331" (8.40MM)
	R 54905	-	SPACER, .333" (8.45MM)
	R 54906	-	SPACER, .335" (8.50MM)
	R 54907	-	SPACER, .337" (8.55MM)
	R 54908	-	SPACER, .339" (8.60MM)
	R 54909	-	SPACER, .341" (8.65MM)
	R 54910	-	SPACER, .343" (8.70MM)
	R 54911	-	SPACER, .345" (8.75MM)
	R 54912	-	SPACER, .346" (8.80MM)
18	AR 63829	-	TAPPET, ROLLER, ASSEMBLY (6 USED)
19	R 55063	-	PLUG, PUMP HOUSING, BASE (6 USED)

FUEL INJECTION PUMP PARTS - CONTINUED
(6404A)
(ENGINE SERIAL NO. 445570-)
CODE 1604 INJECTION SYSTEM, 3%-5% GOVERNOR

KEY	PART NO.	ENGINE SERIAL NO.	DESCRIPTION
20	T	24224	WASHER, COPPER (2 USED)
21	R	54876	SCREW, INSPECTION COVER (2 USED)
22	R	54875	GASKET
23	AR	63557	COVER, INSPECTION, WITH GASKET
24	R	54877	PLUG, CLOSING
25	R	54004	GASKET
26	R	53161	GASKET
27	T	24229	WASHER, LOCK (3 USED)
28	T	31556	NUT (3 USED)
29	R	53897	STUD (3 USED)
30	R	55062	SUPPORT, CENTER BEARING
31	R	54880	WASHER, LOCK (2 USED)
32	R	54879	SCREW (2 USED)
33	AR	63558	HOUSING, PUMP
34	R	53888	KEY, WOODRUFF
35	R	54893	CAMSHAFT
36	R	54863	SPACER, GOVERNOR END
37	R	55152	SHIM, .0039" (0.10MM) (USE AS REQUIRED) (DRIVE END)
	R	54864	SHIM, .0047" (0.12MM) (USE AS REQUIRED) (DRIVE END)
	R	54865	SHIM, .0055" (0.14MM) (USE AS REQUIRED) (DRIVE END)
	R	54866	SHIM, .0063" (0.16MM) (USE AS REQUIRED) (DRIVE END)
	R	54867	SHIM, .0071" (0.18MM) (USE AS REQUIRED) (DRIVE END)
	R	54868	SHIM, .0197" (0.50MM) (USE AS REQUIRED) (DRIVE END)
	R	54869	SHIM, .0118" (0.30MM) (USE AS REQUIRED) (DRIVE END)
	R	54870	SHIM, .0039" (0.10MM) (USE AS REQUIRED) (GOVERNOR END)
	R	55153	SHIM, .0047" (0.12MM) (USE AS REQUIRED) (GOVERNOR END)
	R	55154	SHIM, .0055" (0.14MM) (USE AS REQUIRED) (GOVERNOR END)
	R	55155	SHIM, .0063" (0.16MM) (USE AS REQUIRED) (GOVERNOR END)
	R	55156	SHIM, .0071" (0.18MM) (USE AS REQUIRED) (GOVERNOR END)
	R	55157	SHIM, .0197" (0.50MM) (USE AS REQUIRED) (GOVERNOR END)
	R	55159	SHIM, .0390" (1.00MM) (USE AS REQUIRED) (GOVERNOR END)
	R	55160	SHIM, .0118" (0.30MM) (USE AS REQUIRED) (GOVERNOR END)
	R	55158	SHIM, .0118" (0.30MM) (USE AS REQUIRED) (GOVERNOR END)
38	AR	63555	BEARING, TAPER ROLLER (DRIVE END)
	AR	63941	BEARING, TAPER ROLLER (GOVERNOR END)
39	AR	63556	SEAL
40	R	54882	POINTER, TIMING
41	R	54884	WASHER (2 USED)
42	R	54883	SCREW (2 USED)
43	R	53886	NUT, HEX
44	R	53887	WASHER, LOCK
45	R	54885	HUB, DRIVE
46	R	60908	SCREW (2 USED)
47	R	54874	WASHER, LOCK (2 USED)
48	R	54872	ENDPLATE BEARING
49	R	54873	O-RING
50	R	60909	GASKET
51	AR	69158	CAP, CONTROL RACK, WITH MAGNET
52	R	54860	RACK, CONTROL
53	R	54861	SCREW, RACK LOCATING
54	R	53901	GASKET (4 USED)
55	R	58608	CONNECTOR, BANJO
56	R	53903	SCREW, HOLLOW
57	R	53162	CONNECTOR, BANJO
58	R	53903	SCREW, HOLLOW
59	U	45538	ELBOW, 90°, 1/4"-18 X 1/2"-20
60	T	31508	NAMEPLATE

FUEL INJECTION PUMP GOVERNOR
 (6404A)
 (ENGINE SERIAL NO. 445570-)
 CODE 1604 INJECTION SYSTEM, 3%-5% GOVERNOR

R25431



R 25431

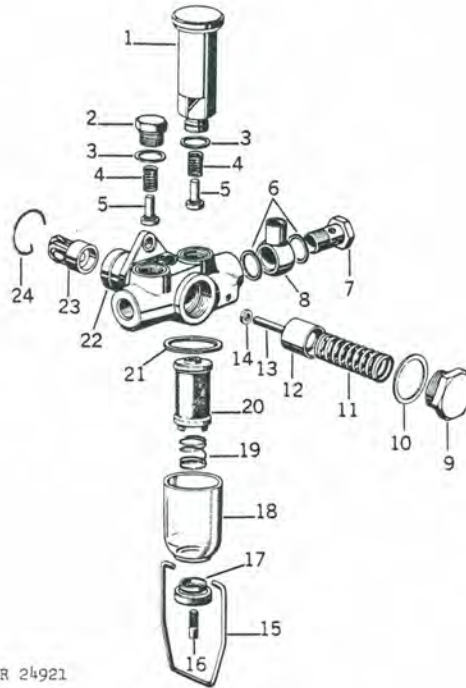
KEY	PART NO.	ENGINE SERIAL NO.	DESCRIPTION
1	R 55064	-	GASKET
2	R 56989	-	HOUSING, GOVERNOR
3	R 53885	-	SCREW, FILL HD. (6 USED)
4	T 24229	-	WASHER, LOCK (6 USED)
5	T 24295	-	KEY, WOODRUFF
5	R 56990	-	PLUG
6	R 53972	-	WIRE, SEALING
6	T 31575	-	SEAL, LEAD
7	R 53918	-	CAPSULE, SEALING
7	AR 63560	-	SEAL, STOP SCREW (SUB. R53972 AND T31575)
8	T 31556	-	NUT, LOCK
9	R 53917	-	SCREW, HIGH SPEED STOP
10	R 60915	-	SCREW
11	R 53945	-	TUBE (2 USED) (SUB. R54921)
12	R 60912	-	BRACKET
13	AR 73730	-	FLYWEIGHT ASSEMBLY
14	R 53912	-	WASHER, LOCK
15	R 53911	-	NUT, RD.
16	R 54921	-	SPRING, STARTING
17	AR 61172	-	BEARING, ASSEMBLY
18	R 53920	-	SHIM, .008" (0.2MM) (USE AS REQUIRED)
	R 53921	-	SHIM, .012" (0.3MM) (USE AS REQUIRED)
	R 53922	-	SHIM, .016" (0.4MM) (USE AS REQUIRED)
	R 53923	-	SHIM, .039" (1.0MM) (USE AS REQUIRED)
19	R 53924	-	LEVER, GUIDE
20	R 60913	-	SPRING, GOVERNOR, MAIN
21	AR 61174	-	LEVER, SWIVELING
22	R 53931	-	SLIDER
23	R 53930	-	LEVER, FLOATING
24	R 53932	-	RING, RETAINING (2 USED)
25	AR 73858	-	SHACKLE
26	R 53953	-	CLIP, RETAINING

FUEL INJECTION PUMP GOVERNOR - CONTINUED
(6404A)
(ENGINE SERIAL NO. 445570-)
CODE 1604 INJECTION SYSTEM, 3%-5% GOVERNOR

KEY	PART NO.	ENGINE SERIAL NO.	DESCRIPTION
27	R 53950	(-)	SPRING, .768" (19.5MM)
28	R 53951	(-)	SPRING, .925" (23.5MM)
29	R 53952	(-)	SPRING, 1.043" (26.5MM)
30	R 53949	(-)	CAPSULE, SPRING LEVER
31	R 53946	(-)	BUSHING, THREADED
32	R 54922	(-)	SPRING
33	R 60921	(-)	SCREW, SPECIAL
34	AR 63565	(-)	LEVER, SHUT-OFF
35	T 24229	(-)	WASHER, LOCK
36	R 53941	(-)	SCREW, SPECIAL
37	R 53956	(-)	RETAINER, SPRING
38	R 53955	(-)	O-RING
39	R 53947	(-)	SHAFT
40	R 53948	(-)	LEVER
41	R 54923	(-)	PIN
42	R 53958	(-)	PIN, STOP
43	AR 63561	(-)	COVER, GOVERNOR
44	R 53936	(-)	RING, RETAINING (2 USED)
45	R 53935	(-)	O-RING (2 USED)
46	R 53934	(-)	BUSHING (2 USED)
47	R 53937	(-)	O-RING
48	R 53938	(-)	SPACER, .012" (0.3MM) (USE AS REQUIRED)
	R 53939	(-)	SPACER, .039" (1.0MM) (USE AS REQUIRED)
	R 53940	(-)	SPACER, .0196" (0.5MM) (USE AS REQUIRED)
49	R 60824	(-)	LEVER, CONTROL, R.H. (6404A)
50	R 53976	(-)	SCREW, SPECIAL
51	T 24229	(-)	WASHER, LOCK
52	R 53942	(-)	WASHER
53	R 53960	(-)	NUT, CAP
54	T 24224	(-)	WASHER, COPPER (2 USED)
55	R 60914	(-)	SCREW, LOW IDLE STOP
56	R 54300	(-)	DECAL, GOVERNOR CALIBRATING
57	R 53962	(-)	SPRING
58	R 53961	(-)	CAPSULE, SPRING
59	T 24282	(-)	NUT, HEX.
60	R 53963	(-)	NUT, LOCK
61	R 53964	(-)	NUT, CAP
62	T 25118	(-)	WASHER, COPPER (2 USED)
63	R 55066	(-)	BRACKET, BOWDEN WIRE
	R 53300	(-)	CLIP (PUMP SHUT-OFF CABLE)
	37H 133	(-)	SCREW, TAPPING, NO. 8 X 5/8"
64	R 60908	(-)	SCREW, UPPER (2 USED)
65	R 53972	(-)	WIRE, SEALING
	T 31575	(-)	SEAL, LEAD
66	R 54926	(-)	SCREW, LOWER (2 USED)
67	AR 63566	(-)	COVER
68	R 53966	(-)	GASKET
69	T 31556	(-)	NUT, HEX.
70	R 53969	(-)	SCREW, FILL. HD. (LOWER) (4 USED)
	R 53970	(-)	SCREW, FILL. HD. (UPPER) (4 USED)
71	R 53929	(-)	SCREW, FULL LOAD STOP
72	R 53928	(-)	NUT, LOCK
73	R 53926	(-)	SHAFT
74	R 53927	(-)	PLUG, SEALING (2 USED)
75	R 53971	(-)	GASKET
76	R 53925	(-)	LEVER, TENSIONING
77	AR 73859	(-)	CAPSULE, TORQUE CONTROL, COMPLETE
78	R 60916	(-)	PLUG, CAP

FUEL TRANSFER PUMP
 (6404A)
 (ENGINE SERIAL NO. 445570-)
 CODE 1601 INJECTION PUMP, REGULAR GOVERNOR
 CODE 1604 INJECTION SYSTEM, 3%-5% GOVERNOR

R24921

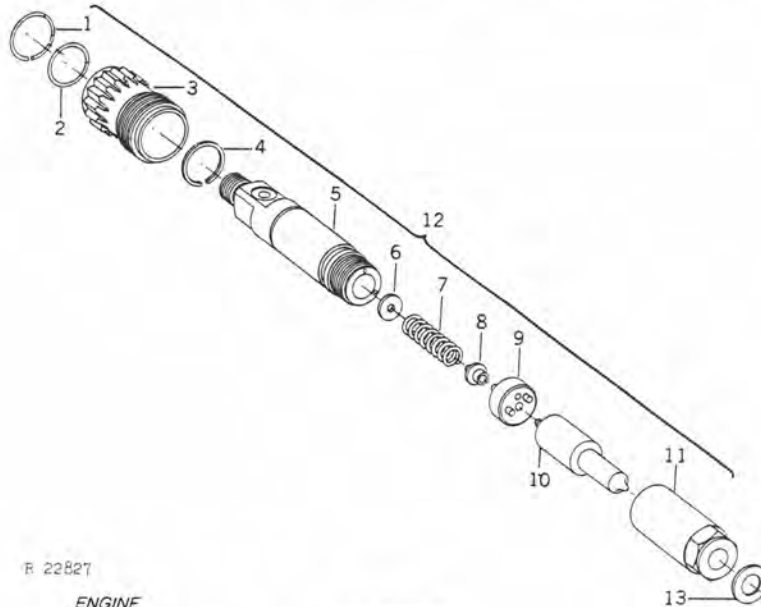


R 24921

KEY	PART NO.	ENGINE SERIAL NO.	DESCRIPTION
1	R 54033	(-)	PRIMER, HAND
2	R 54024	(-)	PLUG, SCREW
3	R 54025	(-)	GASKET (2 USED)
4	R 54023	(-)	SPRING (2 USED)
5	R 54022	(-)	VALVE (2 USED)
6	R 53901	(-)	GASKET (4 USED)
7	R 53903	(-)	SCREW, HOLLOW (2 USED)
8	R 53902	(-)	FITTING, BANJO (2 USED)
9	R 55069	(-)	PLUG, SCREW
10	R 54016	(-)	GASKET
11	R 54011	(-)	SPRING
12	...	(-)	PLUNGER, PUMP (ORDER AR63831)
13	...	(-)	SPINDLE, PRESSURE (ORDER AR63831)
14	R 54013	(-)	O-RING
15	R 54030	(-)	CLIP
16	R 54032	(-)	BOLT, STUD
17	R 54031	(-)	NUT, CLAMPING
18	R 54027	(-)	HOUSING, FILTER (GLASS)
19	R 54029	(-)	SPRING
20	R 54026	(-)	FILTER
21	R 54028	(-)	GASKET
22	AR 63831	(-)	PUMP, FUEL TRANSFER, COMPLETE (INCLUDES ALL PARTS SHOWN ON THIS PAGE)
23	AR 73857	(-)	TAPPET, ROLLER
24	R 54021	(-)	RING, SNAP
..	R 53161	(-)	GASKET, FUEL TRANSFER PUMP

FUEL INJECTION NOZZLE
(6404A)
(ENGINE SERIAL NO. 445570-)
CODE 1601 INJECTION SYSTEM, REGULAR GOVERNOR
CODE 1604 INJECTION SYSTEM, 3%-5% GOVERNOR

R22827

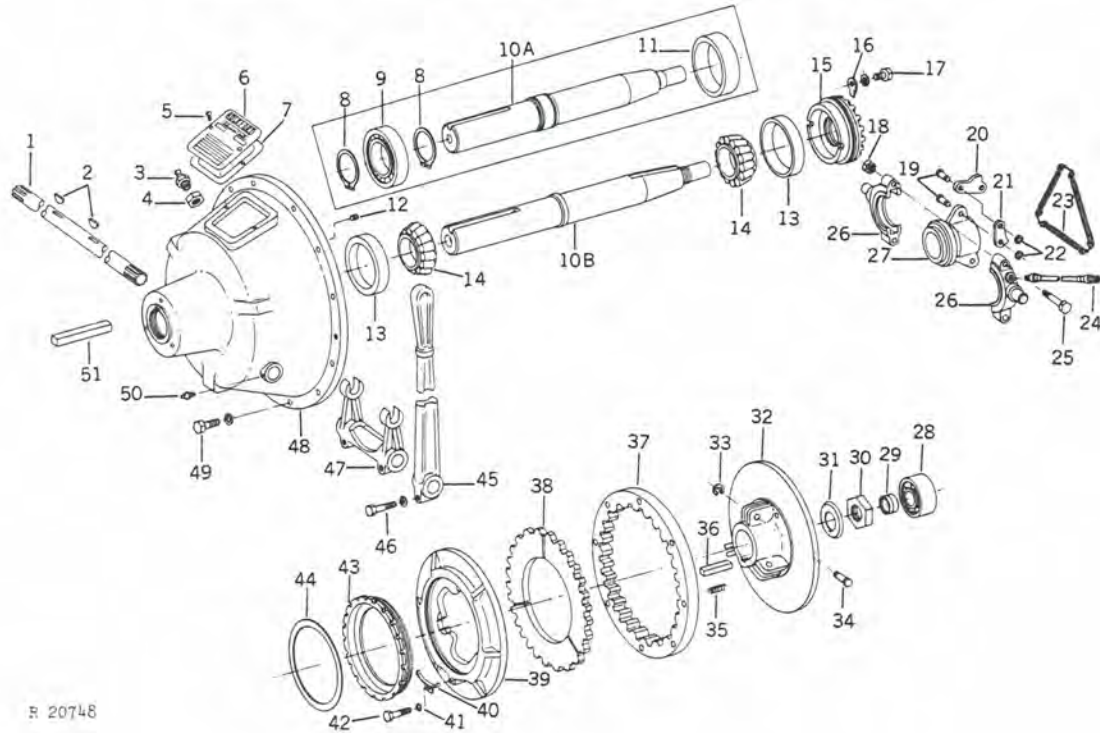


R 22827

KEY	PART NO.	ENGINE SERIAL NO.	DESCRIPTION
1	R 60277	(-)	RING, SNAP
2	R 51603	(-)	O-RING, 5/8" X 3/32" (15.55MM X 2.62MM)
	R 33259	(-)	O-RING, 9/16" X 1/16" (14.00MM X 1.78MM)
3	R 60279	(-)	SCREW, HOLLOW
4	R 60278	(-)	RING, SNAP
5	R 60272	(-)	HOLDER, NOZZLE
6	R 60280	(-)	SHIM, .039" (0.99MM) PRESSURE ADJUSTING
	R 60281	(-)	SHIM, .041" (1.04MM) PRESSURE ADJUSTING
	R 60282	(-)	SHIM, .043" (1.09MM) PRESSURE ADJUSTING
	R 60283	(-)	SHIM, .045" (1.14MM) PRESSURE ADJUSTING
	R 60284	(-)	SHIM, .047" (1.19MM) PRESSURE ADJUSTING
	R 60285	(-)	SHIM, .049" (1.24MM) PRESSURE ADJUSTING
	R 60286	(-)	SHIM, .051" (1.29MM) PRESSURE ADJUSTING
	R 60287	(-)	SHIM, .053" (1.34MM) PRESSURE ADJUSTING
	R 60288	(-)	SHIM, .055" (1.39MM) PRESSURE ADJUSTING
	R 60289	(-)	SHIM, .057" (1.44MM) PRESSURE ADJUSTING
	R 60290	(-)	SHIM, .059" (1.49MM) PRESSURE ADJUSTING
	R 60291	(-)	SHIM, .061" (1.54MM) PRESSURE ADJUSTING
	R 60292	(-)	SHIM, .063" (1.60MM) PRESSURE ADJUSTING
	R 60293	(-)	SHIM, .065" (1.65MM) PRESSURE ADJUSTING
	R 60294	(-)	SHIM, .067" (1.70MM) PRESSURE ADJUSTING
	R 60295	(-)	SHIM, .069" (1.75MM) PRESSURE ADJUSTING
	R 60296	(-)	SHIM, .071" (1.80MM) PRESSURE ADJUSTING
	R 60297	(-)	SHIM, .073" (1.85MM) PRESSURE ADJUSTING
	R 60298	(-)	SHIM, .075" (1.90MM) PRESSURE ADJUSTING
	R 60299	(-)	SHIM, .077" (1.95MM) PRESSURE ADJUSTING
7	R 60273	(-)	SPRING
8	R 60274	(-)	SEAT, SPRING
9	R 60275	(-)	PLATE, INTERMEDIATE
10	AR 74667	(-)	NOZZLE
11	R 60276	(-)	NUT, NOZZLE RETAINING
12	AR 73127	(-)	HOLDER, FUEL INJECTION, LESS NOZZLE (6 USED)
13	R 59104	(-)	WASHER, ALUMINUM (6 USED)

PTO AND CLUTCH
 CODE 5801 PTO CLUTCH AND HOUSING FOR IN-LINE LOADING
 CODE 5802 PTO CLUTCH AND HOUSING FOR SIDE LOADING

R20748



R 20748

KEY	PART NO.	ENGINE SERIAL NO.	CODE	DESCRIPTION
1	R 53309	(-)		SHAFT, YOKE
2	26H 85	(-)		KEY, WOODRUFF, 1/4" X 1" (2 USED)
3	JD 7759	(-)		FITTING, GREASE, 1/8" (3 USED)
4	R 53311	(-)		NUT
5	21H 1352	(-)		SCREW, MACH., PAN HD., 1/4" X 3/8" (2 USED)
6	R 53335	(-)	5801	PLATE, INSTRUCTION (IN-LINE)
7	T 11049	(-)	5802	PLATE, INSTRUCTION (SIDE LOAD)
8	R 53332	(-)		GASKET
9	JD 8537	(-)	5801	RING, EXT. SNAP (IN-LINE) (2 USED)
10A	R 53338	(-)	5801	BEARING, BALL (IN-LINE)
10B	R 53349	(-)	5801	SHAFT, DRIVE (IN-LINE)
11	R 53333	(-)	5802	SHAFT, DRIVE (SIDE-LOAD)
12	R 53308	(-)	5801	SPACER, PLAIN (IN-LINE)
13	JD 8206	(-)		SCREW, SET
14	JD 7365	(-)	5802	CUP, TAPER ROLLER BEARING (SIDE LOAD) (2 USED)
15	R 53323	(-)	5802	CONE, TAPER ROLLER BEARING (SIDE LOAD) (2 USED)
16	R 53334	(-)	5802	RETAINER, BEARING (SIDE LOAD)
17	R 53307	(-)	5801	RETAINER, BEARING (IN-LINE)
18	R 53317	(-)		PLATE, LOCK
19	T 11083	(-)		SCREW, CAP, 5/16" X 1/2"
20	T 11079	(-)		WASHER, LOCK, 5/16"
21	T 11082	(-)		NUT, STOP (2 USED) (USED WITH KEY 27)
22	T 11084	(-)		PIN, CLEVIS (6 USED)
23	AT 10896	(-)		LEVER (3 USED)
24	AR 59467	(-)		LINK, CONNECTING (6 USED)
25	R 53316	(-)		RING, RETAINING (6 USED)
26	AR 59466	(-)		LEVER, SPRING
27	R 53314	(-)		TUBE, FLEXIBLE
				SCREW, SPECIAL CAP (2 USED) (USED WITH KEY 27)
				BEARING, RELEASE (2 USED) (INCLUDES KEYS 18 AND 25)
				SLEEVE, RELEASE