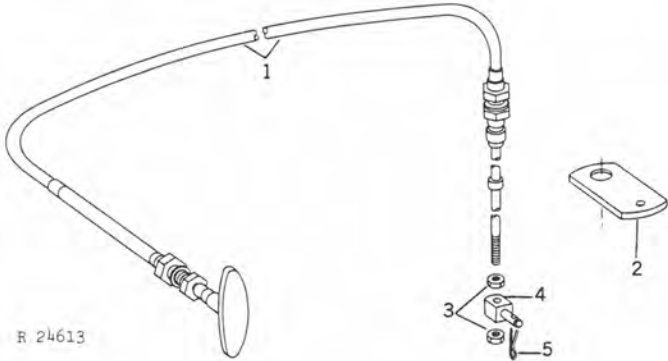


PTO AND CLUTCH - CONTINUED
CODE 5801 PTO CLUTCH AND HOUSING FOR IN-LINE LOADING
CODE 5802 PTO CLUTCH AND HOUSING FOR SIDE LOADING

KEY	PART NO.	ENGINE SERIAL NO.	CODE	DESCRIPTION
28	AR 48751	(-)	5801	BEARING, SPECIAL BALL (IN-LINE)
	R 53327	(-)	5802	BEARING, BALL (SIDE LOAD)
29	R 53336	(-)	5801	SPACER, PILOT BEARING (IN-LINE)
30	R 11068	(-)		NUT, SPECIAL HEX
31	R 53350	(-)		WASHER, SPECIAL LOCK
32	R 53344	(-)		BODY, CLUTCH
33	T 11081	(-)		RING, RETAINING (3 USED)
34	T 11080	(-)		PIN, CLEVIS (3 USED)
35	T 11077	(-)		SPRING, SEPERATOR (3 USED)
36	R 53341	(-)		KEY, 3/8" X 1/2" X 2-1/4"
37	R 53346	(-)		RING, DRIVING
38	AR 59470	(-)		DISK, CLUTCH DRIVING (11-1/2" (292MM) FLYWHEEL) (6404D)
	AR 70182	(-)		DISK, CLUTCH DRIVING (6404A, T)
39	R 53345	(-)		PLATE, PRESSURE
40	R 53313	(-)		LOCK, ADJUSTMENT
41	T 11076	(-)		WASHER, SHAKE PROOF
42	T 11812	(-)		SCREW, HEX. HD.
43	R 53312	(-)		NUT, ADJUSTING
44	R 53319	(-)		PLATE, ADJUSTING RING
45	R 53325	(-)		LEVER, SHIFTING
46	R 53310	(-)		BOLT, HEX. HD.
	12H 331	(-)		WASHER, LOCK, 3/8"
47	AR 59465	(-)		YOKE, CLUTCH
48	R 58450	(-)	5802	HOUSING, BELL, NO. 3 SAE (SIDE LOAD) (11-1/2" (292MM) FLYWHEEL)
	R 58451	(-)		HOUSING, BELL, NO. 3 SAE (IN-LINE (11-1/2" (292MM) FLYWHEEL)
49	19H 2552	(-)		SCREW, CAP, 3/8" X 1-1/8" (12 USED)
	12H 304	(-)		WASHER, LOCK, 3/8" (12 USED)
50	JD 7849	(-)		FITTING, GREASE (2 USED)
51	R 53340	(-)		KEY, 5/8" X 5/8" X 5-1/4"
..	AR 70179	(-)	5802	PTO ASSEMBLY, SIDE LOAD (11-1/2" (292MM) FLYWHEEL) (6404D)
..	AR 70180	(-)	5801	PTO ASSEMBLY, IN-LINE (11-1/2" (292MM) FLYWHEEL) (6404D)
..	AR 70176	(-)	5802	PTO ASSEMBLY, SIDE LOAD (11-1/2" (292MM) FLYWHEEL) (6404A, T)
..	AR 70181	(-)	5802	PTO ASSEMBLY, IN-LINE (11-1/2" (292MM) FLYWHEEL) (6404A, T)

PUSH-PULL CABLE AND BRACKETS
 (6404D)
 CODE 3203 INSTRUMENT PANEL AND INSTRUMENT

R24613

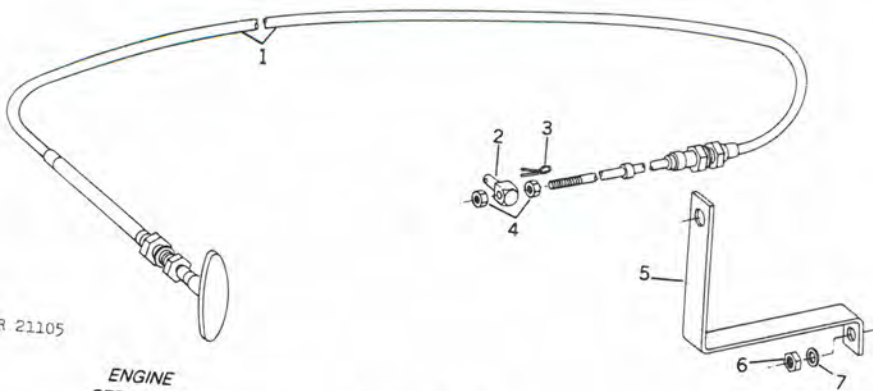


R 24613

KEY	PART NO.	ENGINE SERIAL NO.	DESCRIPTION
1	AR 65433	(-)	CABLE, THROTTLE CONTROL
2	R 56760	(-)	BRACKET
3	14H 631	(-)	NUT, SPECIAL HEX., NO. 10 (2 USED)
4	R 55340	(-)	SWIVEL
5	11H 206	(-)	PIN, COTTER, 3/32" X 3/4"

PUSH-PULL CABLE AND BRACKETS
 (6404A, T)
 CODE 3203 INSTRUMENT PANEL AND INSTRUMENTS

R21105

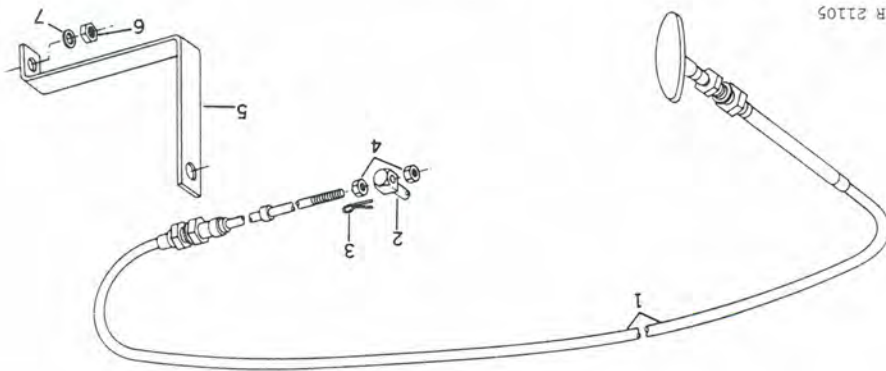


R 21105

KEY	PART NO.	ENGINE SERIAL NO.	DESCRIPTION
1	AR 65433	(-)	CABLE, THROTTLE CONTROL
2	R 56760	(-)	BRACKET
3	14H 631	(-)	NUT, SPECIAL HEX, NO. 10 (2 USED)
4	R 55340	(-)	SWIVEL
5	11H 206	(-)	PIN, COTTER, 3/32" X 3/4"
6	14H 812	(-)	NUT, 3/8"
7	R 42729	(-)	WASHER

PUSH-PULL CABLE AND BRACKETS
 (6404A, T)
 CODE 3203 INSTRUMENT PANEL AND INSTRUMENTS

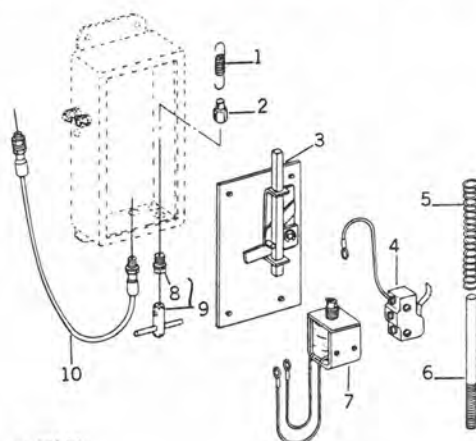
R21105



KEY	PART NO.	ENGINE SERIAL NO.	DESCRIPTION
1	AR 65433	-	CABLE, THROTTLE CONTROL
2	R 56760	-	BRACKET
3	14H 631	-	NUT, SPECIAL HEX, NO. 10 (2 USED)
4	R 55340	-	SWIVEL
5	11H 206	-	PIN, COTTER, 3/32" X 3/4"
6	14H 812	-	NUT, 3/8"
7	R 42729	-	WASHER

RACK PULLER
(6404A, T)
CODE 3203 INSTRUMENT PANEL AND INSTRUMENTS

R23429

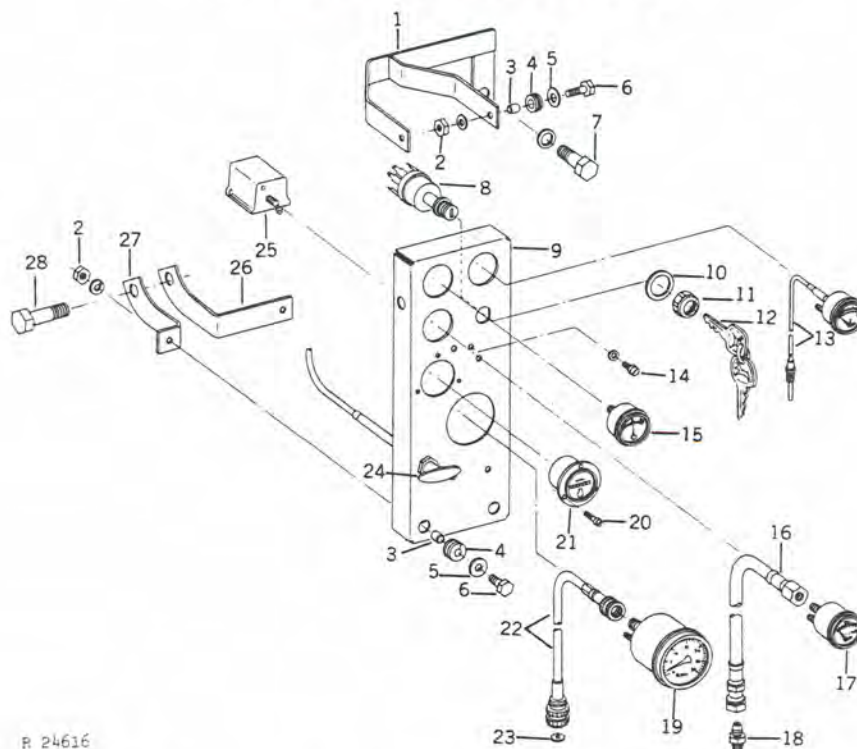


R 23429

KEY	PART NO.	ENGINE SERIAL NO.	DESCRIPTION
1	R 59309	(-)	SPRING
2	R 59308	(-)	BUSHING, RESET
3	AR 71573	(-)	PLATE, LATCH
4	AR 71574	(-)	SWITCH
5	R 59311	(-)	SPRING, GUIDE ROD
6	R 59307	(-)	ROD, SPRING GUIDE
7	AR 71575	(-)	COIL
8	R 59310	(-)	INSULATOR, CONTACT
9	AR 71572	(-)	HANDLE, RESET
10	AR 71576	(-)	CABLE, SHUT-OFF

INSTRUMENT AND INSTRUMENT PANEL WITH BRACKETS
(6404D)
CODE 3203 INSTRUMENT PANEL AND INSTRUMENTS
CODE 3303 TACHOMETER
CODE 3401 ELECTRIC HOURMETER

R24616



R 24616

KEY	PART NO.	ENGINE SERIAL NO.	CODE	DESCRIPTION
1	AR 64936	(-)		BRACKET, INSTRUMENT PANEL MOUNTING
2	14H 786	(-)		NUT, 1/4" (2 USED)
	12H 302	(-)		WASHER, LOCK, 1/4" (2 USED)
3	R 55339	(-)		SPACER (4 USED)
4	B 30667	(-)		GROMMET (4 USED)
5	24H 1288	(-)		WASHER, 9/32" X 1" X .060" (4 USED)
6	19H 1914	(-)		SCREW, CAP, 1/4" X 1" (4 USED)
7	R 45693	(-)		SCREW, SPECIAL CAP
	12H 294	(-)		WASHER, LOCK, 5/8"
8	AR 58126	(-)		SWITCH, STARTER, WITH KEYS
9	R 55334	(-)		PANEL, INSTRUMENT
10	R 43424	(-)		WASHER, ALUMINUM
11	R 44342	(-)		NUT, SPECIAL
12	AR 51481	(-)		KEYS
13	AR 53748	(-)		GAUGE, TEMPERATURE
14	21H 1294	(-)		SCREW, MACH., PAN HD., NO. 10 X 5/16"
	12H 295	(-)		WASHER, INT. TOOTH, NO. 10
15	AR 53746	(-)		GAUGE, AMMETER
16	AR 64315	(-)		LINE, FLEXIBLE OIL
17	AR 53747	(-)		GAUGE, OIL PRESSURE
18	R 35352	(-)		CONNECTOR, OIL PRESSURE GAUGE
19	AR 53897	(-)	3303	TACHOMETER
20	21H 1290	(-)	3401	SCREW, MACH., PAN HD., NO. 6 X 5/16" (3 USED)
	12H 321	(-)	3401	WASHER, LOCK, NO. 6 (3 USED)

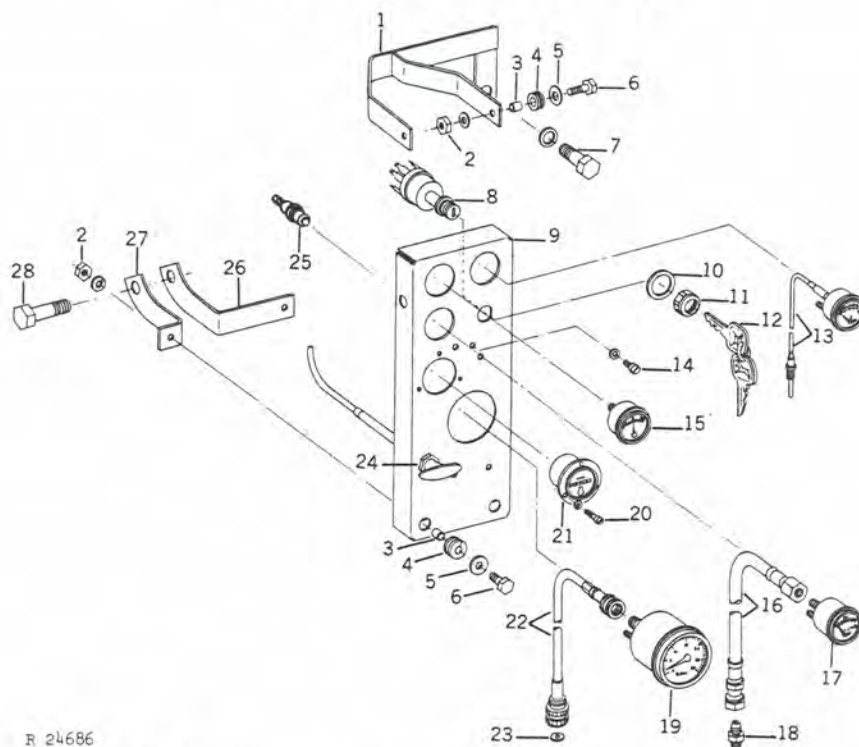
INSTRUMENT AND INSTRUMENT PANEL WITH BRACKETS - CONTINUED
(6404D)

CODE 3203 INSTRUMENT PANEL AND INSTRUMENTS
CODE 3303 TACHOMETER
CODE 3401 ELECTRIC HOURMETER

KEY	PART NO.	ENGINE SERIAL NO.	CODE	DESCRIPTION
21	AT 33995	(-)	3401	METER, HOUR
22	AT 17503	(-)	3303	CABLE, TACHOMETER
23	B 3285 R	(-)	3303	GASKET
24	AR 65348	(-)		CABLE, THROTTLE CONTROL
25	AR 53745	(-)		SWITCH, SAFETY
26	R 55926	(-)		BRACKET, LOWER MOUNTING, FRONT
27	R 55591	(-)		BRACKET, LOWER MOUNTING, REAR
28	19H 1782	(-)		SCREW, CAP., 3/4" X 2-1/4"

INSTRUMENT AND INSTRUMENT PANEL WITH BRACKETS (6404A, T)
 CODE 3203 INSTRUMENT PANEL AND INSTRUMENTS W/FUEL SHUT-OFF
 CODE 3205 INSTRUMENT PANEL AND INSTRUMENTS W/O FUEL SHUT-OFF
 CODE 3300 TACHOMETER
 CODE 3401 ELECTRIC HOURMETER

R24686



R 24686

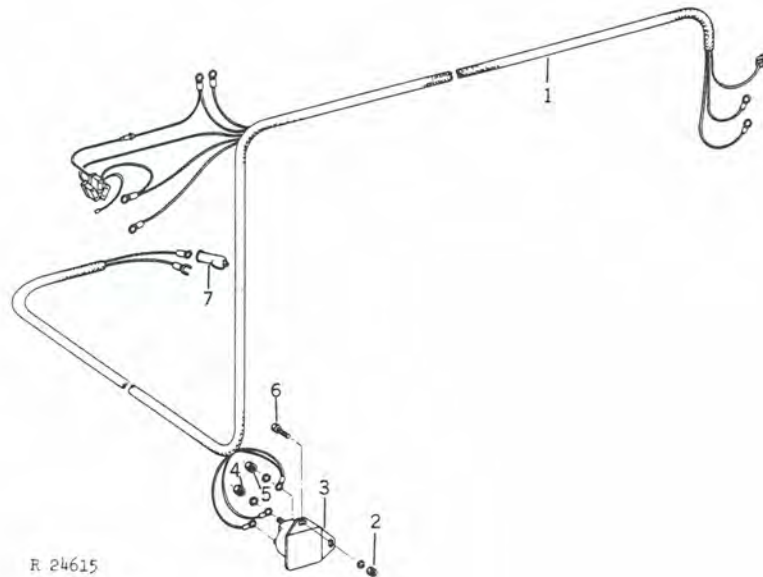
KEY	PART NO.	ENGINE SERIAL NO.	CODE	DESCRIPTION
1	AR 64936	(-)		BRACKET, INSTRUMENT PANEL MOUNTING
2	14H 786	(-)		NUT, 1/4" (2 USED)
	12H 302	(-)		WASHER, LOCK, 1/4" (2 USED)
3	R 55339	(-)		SPACER (4 USED)
4	B 30667	(-)		GROMMET (4 USED)
5	24H 1288	(-)		WASHER, 9/32" X 1" X .060" (4 USED)
6	19H 1914	(-)		SCREW, CAP, 1/4" X 1" (4 USED)
7	R 45693	(-)		SCREW, SPECIAL CAP
	12H 294	(-)		WASHER, LOCK, 5/8"
8	AR 58126	(-)		SWITCH, STARTER, WITH KEYS
9	R 55334	(-)		PANEL, INSTRUMENT
10	R 43424	(-)		WASHER, ALUMINUM
11	R 44342	(-)		NUT, SPECIAL
12	AR 51481	(-)		KEYS
13	AR 53748	(-)		GAUGE, TEMPERATURE
14	21H 1294	(-)		SCREW, MACH., PAN HD., NO. 10 X 5/16"
	12H 295	(-)		WASHER, INT. TOOTH, NO. 10
15	AR 53746	(-)		GAUGE, AMMETER
16	AR 64315	(-)		LINE, FLEXIBLE OIL
17	AR 67282	(-)		GAUGE, OIL PRESSURE
18	R 35352	(-)		CONNECTOR, OIL PRESSURE GAUGE
19	AR 53897	(-)	3300	TACHOMETER
20	21H 1290	(-)	3401	SCREW, MACH., PAN HD., NO. 6 X 5/16" (3 USED)
	12H 321	(-)	3401	WASHER, LOCK, NO. 6 (3 USED)

INSTRUMENT AND INSTRUMENT PANEL WITH BRACKETS (6404A, T) - CONTINUED
 CODE 3203 INSTRUMENT PANEL AND INSTRUMENTS W/FUEL SHUT-OFF
 CODE 3205 INSTRUMENT PANEL AND INSTRUMENTS W/O FUEL SHUT-OFF
 CODE 3300 TACHOMETER
 CODE 3401 ELECTRIC HOURMETER

KEY	PART NO.	ENGINE SERIAL NO.	CODE	DESCRIPTION
21	AT 33995	(-)	3401	METER, HOUR
22	AT 17503	(-)	3300	CABLE, TACHOMETER
23	B 3285 R	(-)	3300	GASKET
24	AR 65433	(-)	3203	CABLE, THROTTLE CONTROL
25	AR 67285	(-)		SWITCH, PUSH BUTTON
26	R 55926	(-)		BRACKET, LOWER MOUNTING, FRONT
27	R 55591	(-)		BRACKET, LOWER MOUNTING, REAR
28	19H 1782	(-)		SCREW, CAP, 3/4" X 2-1/4"

WIRING HARNESS AND STARTING CIRCUIT RELAY
 CODE 3203 INSTRUMENT PANEL AND INSTRUMENTS

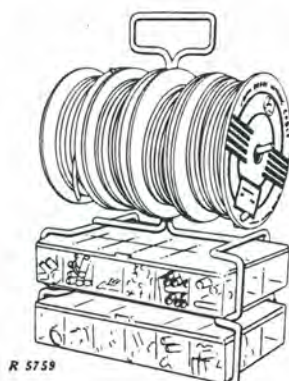
R24615



KEY	PART NO.	ENGINE SERIAL NO.	DESCRIPTION
1	AR 53750	(-)	HARNESS, WIRING
2	14H 786	(-)	NUT, 1/4" (2 USED)
	12H 297	(-)	WASHER, LOCK, 1/4" (2 USED)
3	AM 52191	(-)	RELAY, STARTING CIRCUIT
4	14H 785	(-)	NUT, 5/16" (2 USED)
	12H 303	(-)	WASHER, LOCK, 1/4" (2 USED)
5	14H 631	(-)	NUT, NO. 10
	12H 246	(-)	WASHER, LOCK, NO. 10
6	19H 1846	(-)	SCREW, CAP, 1/4" X 3/4" (2 USED)
7	R 30964	(-)	COVER, TERMINAL
..	AR 55283	(-)	HARNESS, ALTERNATOR ADAPTER WIRING (DELCO)

R5759

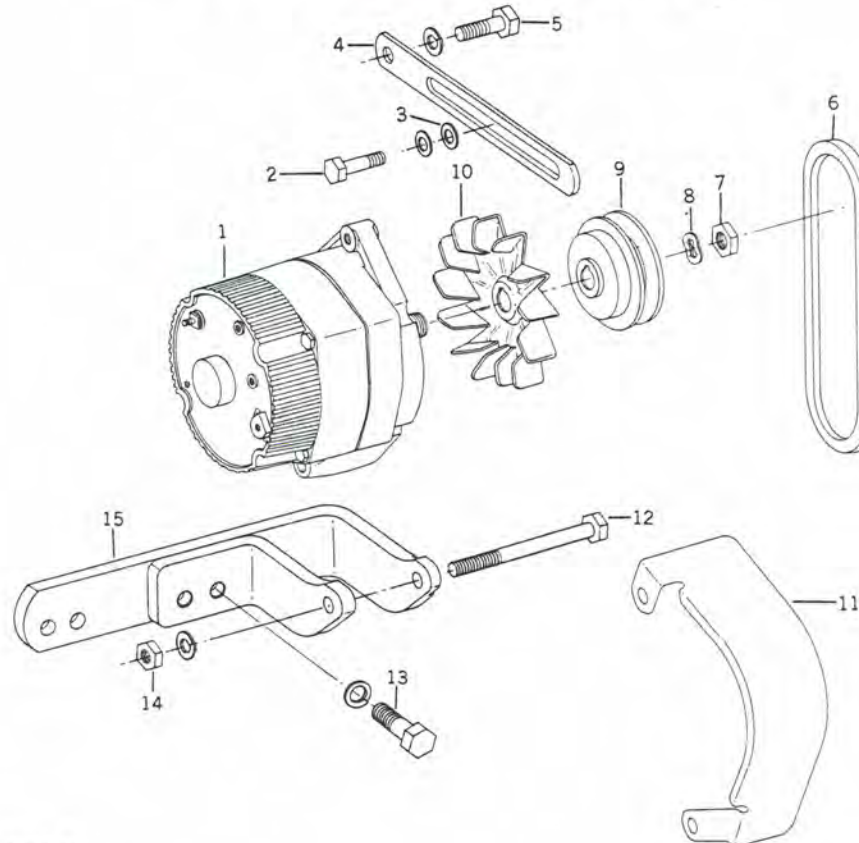
AR30963 SPARK PLUG CABLE AND LEAD WIRE KIT



KEY	PART NO.	ENGINE SERIAL NO.	DESCRIPTION
.. A	3539 R	(-)	NIPPLE, DISTRIBUTOR
.. R	26861	(-)	BOOT, SPARK PLUG
.. R	32006	(-)	CABLE, SPARK PLUG, 7 MM., 50 FT. (1 SPOOL)
.. R	32007	(-)	CABLE, PRIMARY, 14-GA., 100 FT. (1 SPOOL)
.. R	32008	(-)	CABLE, PRIMARY, 12-GA., 100 FT. (1 SPOOL)
.. R	32009	(-)	CABLE, PRIMARY, 10-GA., 50 FT. (1 SPOOL)
.. R	32011	(-)	TOOL, WIRING
.. R	32012	(-)	TERMINAL, IGNITION, DISTRIBUTOR END
.. R	32013	(-)	TERMINAL, IGNITION, STRAIGHT
.. R	32014	(-)	TERMINAL, IGNITION, 90°
.. R	32016	(-)	TERMINAL, PRIMARY, 14-16 GA., NO. 10 SPADE
.. R	32017	(-)	TERMINAL, PRIMARY, 10-12 GA., NO. 10 SPADE
.. R	32018	(-)	TERMINAL, PRIMARY, 14-16 GA., NO. 10 EYELET
.. R	32019	(-)	TERMINAL, PRIMARY, 10-12 GA., NO. 10 EYELET
.. R	32021	(-)	TERMINAL, PRIMARY, 10-12 GA., 1/4" EYELET
.. R	32022	(-)	TERMINAL, PRIMARY, 10-12 GA., 3/8" EYELET
.. R	32023	(-)	TERMINAL, PRIMARY, 10-12 GA., 1/2" EYELET
.. R	32024	(-)	TERMINAL, FEMALE BLADE WITH LEAD
.. R	32025	(-)	TERMINAL, MALE BLADE WITH LEAD
.. R	32026	(-)	TERMINAL, MALE BULLET
.. R	32027	(-)	TERMINAL, SPLICE, 14-16 GA. WIRE
.. R	32028	(-)	TERMINAL, SPLICE, 10-12 GA. WIRE
.. R	32029	(-)	TERMINAL, 2-WIRE BULLET CONNECTOR
.. R	32196	(-)	CABLE, SPARK PLUG, 7MM., 100 FT. (1 SPOOL) (NOT INCLUDED WITH KIT)
.. AR	30963	(-)	KIT, SPARK PLUG CABLE AND LEAD WIRE

ALTERNATOR AND MOUNTING BRACKETS (DELCO-REMY) (6404D)
 CODE 2401 FAN BELT (STANDARD)
 CODE 3101 ALTERNATOR (12 VOLT) (37 AMP)
 CODE 3102 ALTERNATOR (12 VOLT) (55 AMP)
 CODE 3103 ALTERNATOR (12 VOLT) (72 AMP)

R24609



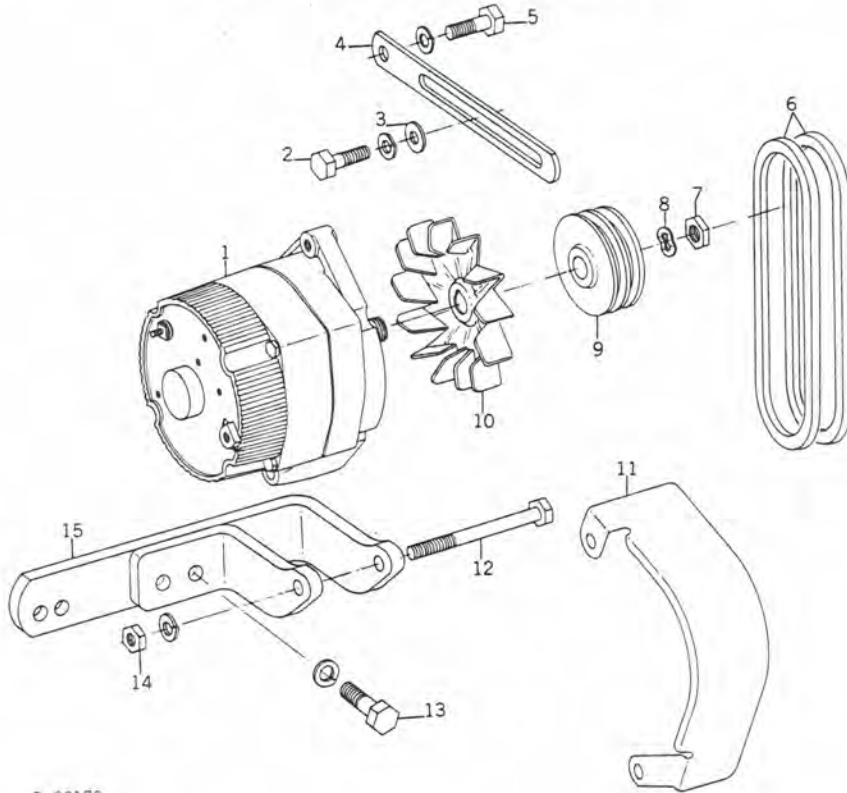
R 24609

KEY	PART NO.	ENGINE SERIAL NO.	CODE	DESCRIPTION
1	AR 56728	(-)	3101	ALTERNATOR WITH REGULATOR, LESS FAN AND PULLEY (12 VOLT) (37 AMP) (DELCO-REMY) (FOR PARTS SEE PAGE 85-6)
	AR 54796	(-)	3102	ALTERNATOR WITH REGULATOR, LESS FAN AND PULLEY (12 VOLT) (55 AMP) (DELCO-REMY) (FOR PARTS SEE PAGE 85-6)
	AR 54793	(-)	3103	ALTERNATOR WITH REGULATOR, LESS FAN AND PULLEY (12 VOLT) (72 AMP) (DELCO-REMY) (FOR PARTS SEE PAGE 85-6)
2	19H 2661	(-)		SCREW, CAP, 5/16" X 1-3/8"
	12H 303	(-)		WASHER, LOCK, 5/16"
3	R 56397	(-)		WASHER, 11/32" X 3/4" X .120" (2 USED)
4	R 43603	(-)		STRAP, ADJUSTING
5	19H 2284	(-)		SCREW, CAP, 3/8" X 7/8"
	12H 304	(-)		WASHER, LOCK, 3/8"
6	R 52603	(-)	2401	V-BELT, FAN AND ALTERNATOR DRIVE
7	R 11049	(-)		NUT
8	T 10745	(-)		WASHER, SPRING
9	R 52159	(-)		PULLEY
10	R 50659	(-)		FAN, ALTERNATOR
11	R 56012	(-)		SHIELD, ALTERNATOR
12	19H 2023	(-)		SCREW, CAP, 3/8" X 3-1/4"
13	19H 2500	(-)		SCREW, CAP, 7/16" X 1-3/8"
	19H 1773	(-)		SCREW, CAP, 7/16" X 1-1/8"
	12H 293	(-)		WASHER, LOCK, 7/16" (2 USED)
14	14H 812	(-)		NUT, 3/8"
	12H 304	(-)		WASHER, LOCK, 3/8"
15	AR 56010	(-)		BRACKET, ALTERNATOR

ALTERNATOR AND MOUNTING BRACKETS (DELCO-REMY) (6404A, T)

- CODE 2401 FAN BELT (STANDARD)
- CODE 3101 ALTERNATOR (12 VOLT) (37 AMP)
- CODE 3102 ALTERNATOR (12 VOLT) (55 AMP)
- CODE 3103 ALTERNATOR (12 VOLT) (72 AMP)

R20179

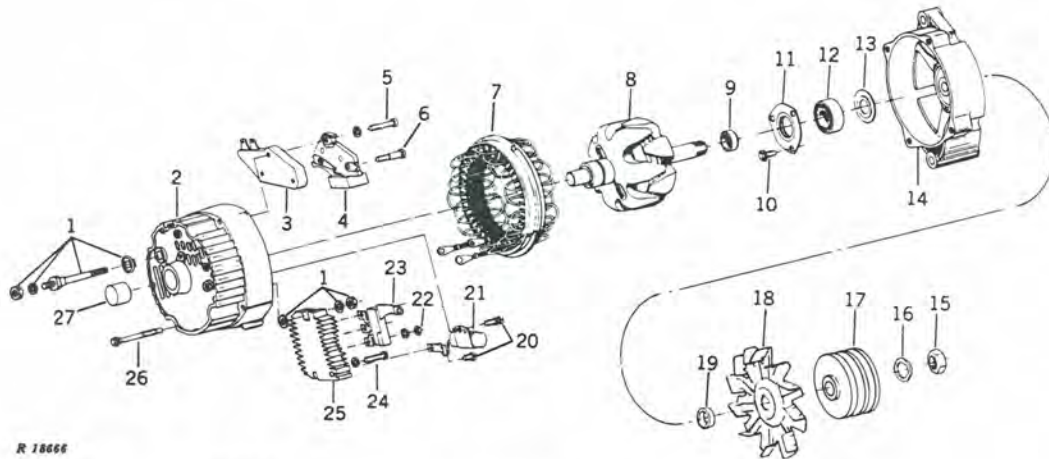


R 20179

KEY	PART NO.	ENGINE SERIAL NO.	CODE	DESCRIPTION
1	AR 56728	(-)	3101	ALTERNATOR WITH REGULATOR, LESS FAN AND PULLEY (12 VOLT) (37 AMP) (DELCO-REMY) (FOR PARTS SEE PAGE 85-6)
	AR 54796	(-)	3102	ALTERNATOR WITH REGULATOR, LESS FAN AND PULLEY (12 VOLT) (55 AMP) (DELCO-REMY) (FOR PARTS SEE PAGE 85-6)
	AR 54793	(-)	3103	ALTERNATOR WITH REGULATOR, LESS FAN AND PULLEY (12 VOLT) (72 AMP) (DELCO-REMY) (FOR PARTS SEE PAGE 85-6)
2	19H 2661	(-)		SCREW, CAP, 5/16" X 1-3/8"
	12H 303	(-)		WASHER, LOCK, 5/16"
3	R 56397	(-)		WASHER, 11/32" X 3/4" X .120" (2 USED)
4	R 43603	(-)		STRAP, ADJUSTING
5	19H 2284	(-)		SCREW, CAP, 3/8" X 7/8"
	19H 1726	(-)		SCREW, CAP, 3/8" X 2-1/4"
	12H 304	(-)		WASHER, LOCK, 3/8"
6	AR 57266	(-)	2401	V-BELT, FAN AND ALTERNATOR DRIVE, MATCHED PAIR (6404A, T)
7	R 11049	(-)		NUT
8	T 10745	(-)		WASHER, SPRING
9	R 52161	(-)		PULLEY
10	R 50659	(-)		FAN, ALTERNATOR
11	R 56012	(-)		SHIELD, ALTERNATOR
12	19H 2023	(-)		SCREW, CAP, 3/8" X 3-1/4"
13	19H 2500	(-)		SCREW, CAP, 7/16" X 1-3/8"
	19H 1773	(-)		SCREW, CAP, 7/16" X 1-1/8"
	12H 293	(-)		WASHER, LOCK, 7/16" (2 USED)
14	14H 812	(-)		NUT, 3/8"
	12H 304	(-)		WASHER, LOCK, 3/8"
15	AR 56010	(-)		BRACKET, ALTERNATOR

ALTERNATOR (12-VOLT) (DELCO-REMY)

R18666

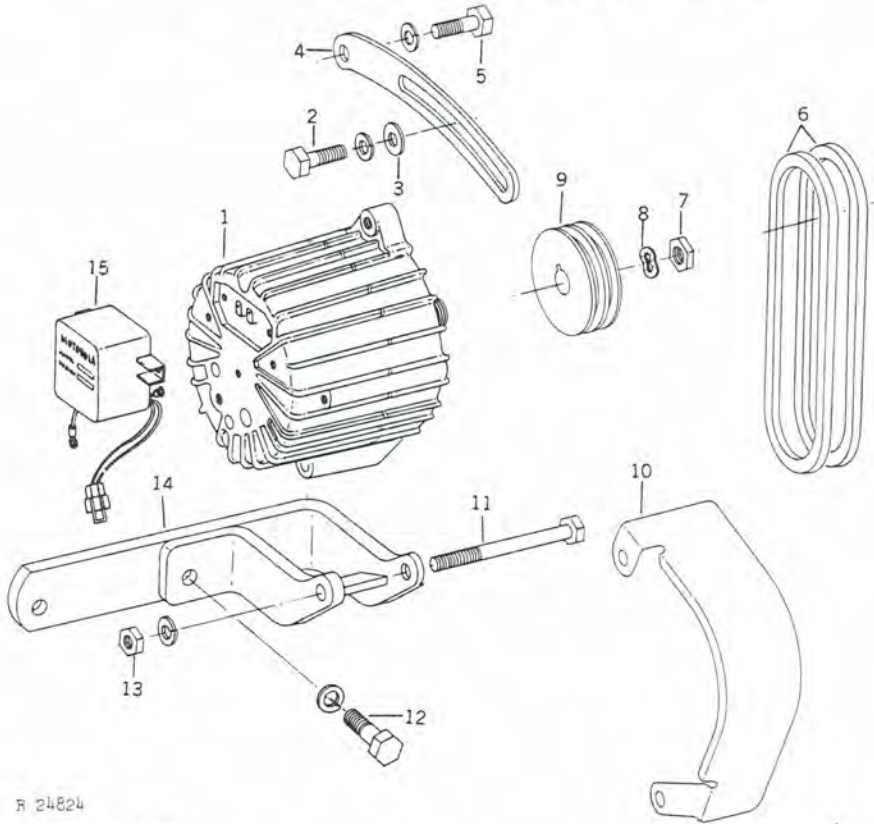


R 18666

KEY	PART NO.	ENGINE SERIAL NO.	DESCRIPTION
1	AR 55834	(-)	TERMINAL, OUTPUT ASSEMBLY
2	R 51529	(-)	HOUSING, REAR
3	AR 55827	(-)	REGULATOR (12-VOLT)
4	AR 69269	(-)	BRUSH, ASSEMBLY (SUB. FOR AR55833)
5	R 51531	(-)	SCREW, BRUSH HOLDER, GROUND
	12H 290	(-)	WASHER, LOCK, INT. TOOTH, NO. 8
6	R 51530	(-)	SCREW, BRUSH HOLDER, INSULATED (2 USED)
7	AR 62395	(-)	STATOR (37 AMP)
	AR 55829	(-)	STATOR (55 AMP)
	AR 55837	(-)	STATOR (72 AMP)
8	AR 78093	(-)	ROTOR (SUB. FOR AR55828)
9	R 51532	(-)	COLLAR, BEARING INNER
10	21H 1301	(-)	SCREW, MACH., PAN HD., NO. 10 X 1/2" (3 USED)
11	AR 55836	(-)	RETAINER, BEARING
12	AT 23188	(-)	BEARING, FRONT
13	R 51534	(-)	WASHER, SLINGER
14	R 51528	(-)	HOUSING, FRONT
15	R 11049	(-)	NUT
16	T 10745	(-)	WASHER, SPRING
17	R 52161	(-)	PULLEY (6404A, T)
	R 52159	(-)	PULLEY (6404D)
	R 50660	(-)	PULLEY (72 AMP) (6404T)
18	R 50659	(-)	FAN
19	R 51533	(-)	COLLAR, BEARING OUTER
20	37H 2	(-)	SCREW, TAPPING, PAN HD., NO. 8 X 5/8" (2 USED)
21	AR 55835	(-)	CAPACITOR
22	14H 605	(-)	NUT, NO. 8 (3 USED)
	12H 290	(-)	WASHER, LOCK, INT. TOOTH, NO. 8 (3 USED)
23	AR 55831	(-)	DIODE, TRIO NEGATIVE
24	21H 1319	(-)	SCREW, MACH., PAN HD., NO. 8 X 7/8"
	12H 290	(-)	WASHER, LOCK, INT. TOOTH, NO. 8
25	AR 55832	(-)	RECTIFIER, BRIDGE POSITIVE
26	R 51535	(-)	BOLT, THRU (4 USED)
27	AR 77851	(-)	BEARING, ROLLER, WITH SEAL (SUB. FOR AR55830)
..	AR 56728	(-)	ALTERNATOR WITH REGULATOR, LESS FAN AND PULLEY (37 AMP)
..	AR 54796	(-)	ALTERNATOR WITH REGULATOR, LESS FAN AND PULLEY (55 AMP)
..	AR 54793	(-)	ALTERNATOR WITH REGULATOR, LESS FAN AND PULLEY (72 AMP)

ALTERNATOR AND MOUNTING BRACKETS
 (MOTOROLA NO. 70D44313E)
 (6404A, T)
 CODE 2401 FAN BELTS (STANDARD)
 CODE 3204 ALTERNATOR (12 VOLT) (30 AMP) SEALED

R24824

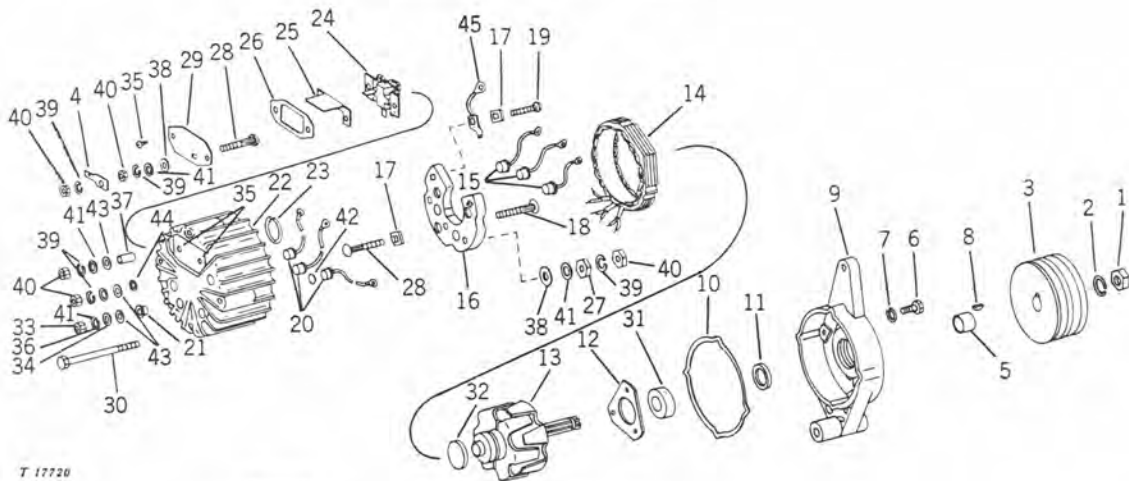


R 24824

KEY	PART NO.	ENGINE SERIAL NO.	CODE	DESCRIPTION
1	AN 114058	(-)	3204	ALTERNATOR LESS REGULATOR AND PULLEY (12 VOLT) (30 AMP) (FOR PARTS SEE PAGE 85-8)
2	19H 2661 12H 303	(-)		SCREW, CAP, 5/16" X 1-3/8"
3	R 56397	(-)		WASHER, LOCK, 5/16"
4	R 43603	(-)		WASHER, 11/32" X 3/4" X .120" (2 USED)
5	19H 2284 12H 304	(-)		STRAP, ADJUSTING
6	AR 57266	(-)	2401	V-BELT, FAN AND ALTERNATOR DRIVE, MATCHED PAIR (6404A, T)
7	R 11049	(-)		NUT
8	T 10745	(-)		WASHER, SPRING
9	T 43032	(-)		PULLEY
10	R 56012	(-)		SHIELD, ALTERNATOR
11	19H 2023	(-)		SCREW, CAP, 3/8" X 3-1/4"
12	19H 2500 19H 1773 12H 293	(-)		SCREW, CAP, 7/16" X 1-3/8" SCREW, CAP, 7/16" X 1-1/8"
13	14H 812 12H 304	(-)		WASHER, LOCK, 7/16" (2 USED)
14	AR 56010	(-)		NUT, 3/8"
15	AN 114059	(-)		WASHER, LOCK, 3/8" BRACKET, ALTERNATOR REGULATOR, VOLTAGE

**ALTERNATOR (30 AMPERE)
(MOTOROLA NO. 70D44313E)**

T17720

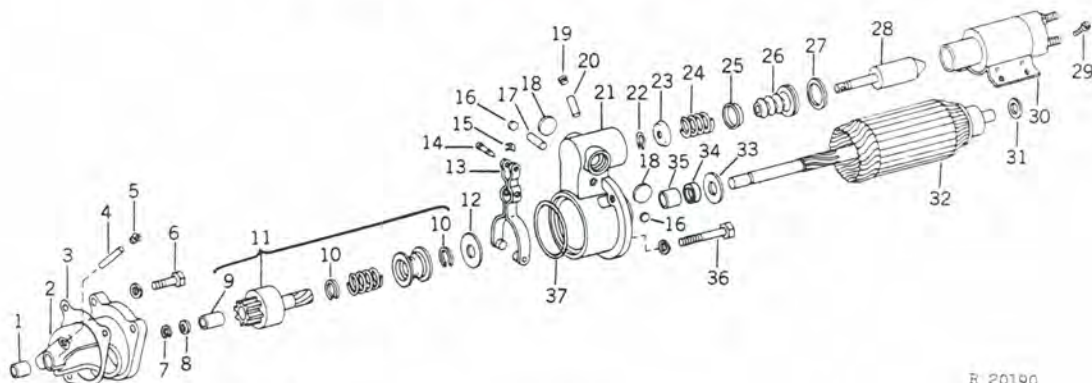


T 17720

KEY	PART NO	ENGINE SERIAL NO.	DESCRIPTION
1	14H 866	(-)	NUT, 5/8"
2	12H 294	(-)	WASHER, LOCK, 5/8"
3	T 43032	(-)	PULLEY
4	T 26041	(-)	FIELD, TERMINAL
5	T 39881	(-)	SPACER (SUB. FOR T253438 THIS APPLICATION ONLY)
6	21H 1299	(-)	SCREW, MACH., NO. 8 X 3/8" (3 USED)
7	12H 315	(-)	WASHER, LOCK, NO. 8 (3 USED)
8	26H 9	(-)	KEY, WOODRUFF
9	AT 23181	(-)	HOUSING, FRONT
10	T 25344	(-)	GASKET
11	T 25345	(-)	WASHER, FELT
12	T 25346	(-)	RETAINER, FRONT BEARING
13	AT 23182	(-)	ROTOR
14	AT 23414	(-)	STATOR
15	AT 23184	(-)	DIODE, RECTIFYING POSITIVE (3 USED)
16	T 25352	(-)	PLATE, POSITIVE DIODE
17	T 25350	(-)	INSULATOR (5 USED)
18	T 25347	(-)	BOLT, OUTPUT TERMINAL
19	T 25348	(-)	BOLT, GROUND AND AUXILIARY TERMINALS (2 USED)
20	AT 23185	(-)	DIODE, RECTIFYING NEGATIVE (3 USED)
21	T 25360	(-)	INSULATOR
22	T 25356	(-)	HOUSING, REAR
23	R 15030	(-)	RETAINER, REAR BEARING
24	AT 23187	(-)	BRUSH, WITH HOLDER
25	T 25357	(-)	INSULATOR, BRUSH
26	T 25358	(-)	GASKET, BRUSH COVER
27	T 25351	(-)	NUT, HEX., NO. 10 (3 USED)
28	T 25349	(-)	BOLT, SPECIAL (4 USED)
29	T 25359	(-)	COVER, BRUSH
30	R 15045	(-)	BOLT, THRU (4 USED)
31	AT 23188	(-)	BEARING, BALL, FRONT
32	AT 23189	(-)	BEARING, BALL, REAR
33	14H 860	(-)	NUT, 1/4"
34	24H 1285	(-)	WASHER, 17/64" X 7/16" X .060"
35	37H 47	(-)	SCREW, DRIVE (4 USED)
36	12H 302	(-)	WASHER, LOCK, 3/8"
37	T 25353	(-)	SLEEVE, INSULATOR
38	R 15036	(-)	WASHER, INSULATOR (4 USED) (SUB. FOR R39804)
39	12H 246	(-)	WASHER, LOCK, NO. 10 (7 USED)
40	14H 778	(-)	NUT, NO. 10 (7 USED)
41	24H 1283	(-)	WASHER, 7/32" X 1/2" X .048" (6 USED)
42	T 25355	(-)	INSULATOR (3 USED)
43	T 25354	(-)	WASHER, INSULATOR (3 USED)
44	R 15036	(-)	WASHER, INSULATOR
45	AT 23186	(-)	CABLE, JUMPER
..	AN 114058	(-)	ALTERNATOR ASSEMBLY, COMPLETE, LESS PULLEY, 30 AMPERE (MOTOROLA NO. 70D44313E)

STARTER DRIVE HOUSING, SOLENOID SWITCH, AND ARMATURE
(12-VOLT) (DELCO-REMY) (MODEL NO. 1113402 OR 1113672)
CODE 3004 STARTING MOTOR, HEAVY DUTY

R20190



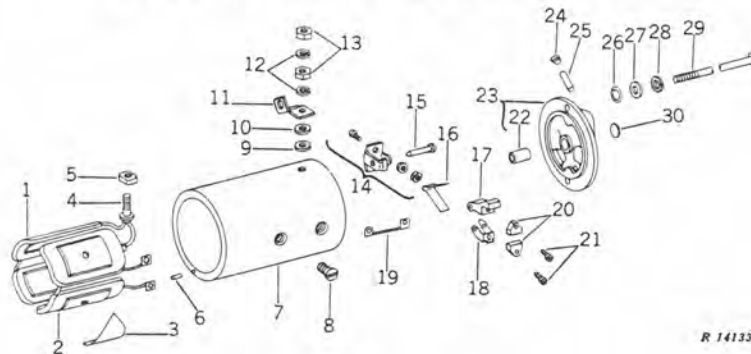
R 20190

KEY	PART NO.	ENGINE SERIAL NO.	DESCRIPTION
1	T 11743	(-)	BUSHING
2	AR 11127	(-)	HOUSING, DRIVE, WITH BUSHING
3	R 53108	(-)	GASKET, STARTER TO BLOCK
4	R 40337	(-)	WICK
5	15H 566	(-)	PLUG, PIPE, 1/8"
6	19H 2545	(-)	SCREW, CAP, 3/8" X 1-3/8" (2 USED)
	12H 304	(-)	WASHER, LOCK, 3/8" (3 USED)
	M 3636 T	(-)	STUD, 3/8" X 1-1/2"
	14H 812	(-)	NUT, 3/8"
7	R 11117	(-)	RING, RETAINING
8	R 48976	(-)	STOP, PINION
9	1873796	(-)	BUSHING
10	R 11118	(-)	WIRE, LOCK, MOTOR DRIVE (2 USED)
11	AR 76841	(-)	DRIVE, MOTOR (SUB. FOR AR44700)
12	R 11095	(-)	WASHER, BRAKE
13	AR 11128	(-)	LEVER, SHIFT
14	R 11222	(-)	PIN
15	R 11223	(-)	RETAINER, SPRING
16	30H 7	(-)	PLUG, EXPANSION, 5/8" (2 USED)
17	R 11215	(-)	SHAFT, SHIFT LEVER (2 USED)
18	30H 16	(-)	PLUG, EXPANSION, 1-3/16" (2 USED)
19	R 11016	(-)	PLUG, PIPE
20	R 11201	(-)	WICK
21	AR 11126	(-)	HOUSING, LEVER, WITH BUSHING
22	R 11026	(-)	RING, RETAINING
23	R 11129	(-)	RETAINER, SPRING
24	R 11128	(-)	SPRING
25	R 11126	(-)	RETAINER, SPRING
26	R 11127	(-)	BOOT
27	R 11221	(-)	WASHER
28	AR 11132	(-)	PLUNGER ASSEMBLY
29	T 19909	(-)	SCREW, SOLENOID SWITCH MOUNTING (4 USED)
30	R 11292	(-)	SWITCH, SOLENOID (12-VOLT) (DELCO-REMY NO. 1115510) (FOR PARTS SEE PAGE 85-11)
31	R 11096	(-)	WASHER
32	AR 44698	(-)	ARMATURE
33	R 11291	(-)	SPACER
34	AR 62964	(-)	SEAL, OIL
35	R 11212	(-)	BUSHING
36	AR 62963	(-)	SCREW, AND WASHER (4 USED)
	12H 303	(-)	WASHER, LOCK, 5/16" (4 USED)
37	R 40545	(-)	GASKET, LEVER HOUSING TO DRIVE HOUSING
..	AR 62267	(-)	STARTER, COMPLETE (12-VOLT) (DELCO-REMY) (SUB. FOR AR55638)
..	AR 40174	(-)	KIT, STARTING MOTOR SEALING

SEE FOLLOWING PAGE FOR ADDITIONAL STARTER SERVICE PARTS.

**STARTER MAIN FRAME, COIL, AND COMMUTATOR END FRAME
(12-VOLT) (DELCO-REMY) (MODEL NO. 1113402 OR 1113672)
CODE 3004 STARTING MOTOR, HEAVY DUTY**

R14133



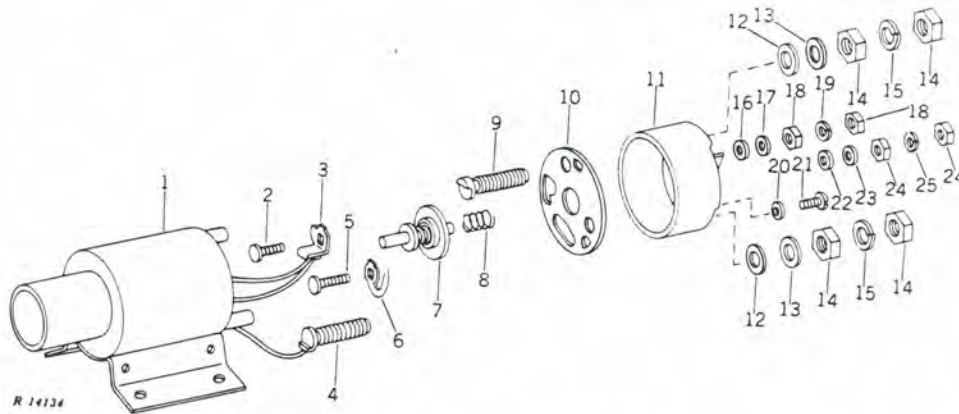
R 14133

KEY	PART NO.	ENGINE SERIAL NO.	DESCRIPTION
1	AR 44699	(-)	COIL ASSEMBLY, FIELD
2	R 11003	(-)	SHOE, POLE (4 USED)
3	R 11253	(-)	INSULATOR, FIELD COIL (2 USED)
4	R 11059	(-)	STUD, FIELD TERMINAL
5	R 11058	(-)	BUSHING, INSULATOR (2 USED)
6	R 11087	(-)	PIN, DOWEL
7	(-)	FRAME, MAIN (SUB. AR62267)
8	21H 1280	(-)	SCREW, MACH., FILT. HD., 3/8" X 3/4" (4 USED)
9	R 11000	(-)	WASHER, INSULATING (2 USED)
10	24H 1303	(-)	WASHER, 13/32" X 11/16" X .060"
11	R 11296	(-)	CONNECTOR, FIELD COIL TO SOLENOID SWITCH
12	12H 304	(-)	WASHER, LOCK, 3/8" (2 USED)
13	14H 732	(-)	NUT, JAM, 3/8" (2 USED)
14	AR 11124	(-)	SUPPORT, BRUSH, PACKAGE (2 USED)
15	R 11233	(-)	PIN, BRUSH HOLDER (2 USED)
16	R 11209	(-)	SPRING, BRUSH (2 USED)
17	R 11290	(-)	HOLDER, BRUSH (2 USED)
18	T 738 T	(-)	HOLDER, BRUSH, GROUND (2 USED)
19	AR 11001	(-)	LEAD, BRUSH, GROUND
20	R 42574	(-)	BRUSH (4 USED)
21	37H 78	(-)	SCREW, TAPPING, NO. 8 X 3/4" (4 USED)
22	T 11739	(-)	BUSHING
23	AR 11140	(-)	FRAME, COMMUTATOR END, WITH BUSHING AND EXPANSION PLUG
24	15H 566	(-)	PLUG, PIPE, 1/8"
25	R 40337	(-)	WICK
26	R 27976	(-)	O-RING, THRU BOLT (2 USED)
27	24H 1136	(-)	WASHER, 11/32" X 11/16" X .060" (2 USED)
28	12H 303	(-)	WASHER, LOCK, 5/16" (2 USED)
29	R 11298	(-)	BOLT, THRU (2 USED)
30	30H 9	(-)	PLUG, EXPANSION, 3/4"
..	AR 62267	(-)	STARTER, COMPLETE (12-VOLT) (DELCO-REMY) (SUB. FOR AR55638)
..	AR 40174	(-)	KIT, STARTER MOTOR SEALING

SEE PRECEDING PAGE FOR ADDITIONAL STARTER SERVICE PARTS.

SOLENOID SWITCH
(12-VOLT) (DELCO-REMY) (MODEL NO. 1113402 OR 1113672)
COE 3004 STARTING MOTOR, HEAVY DUTY

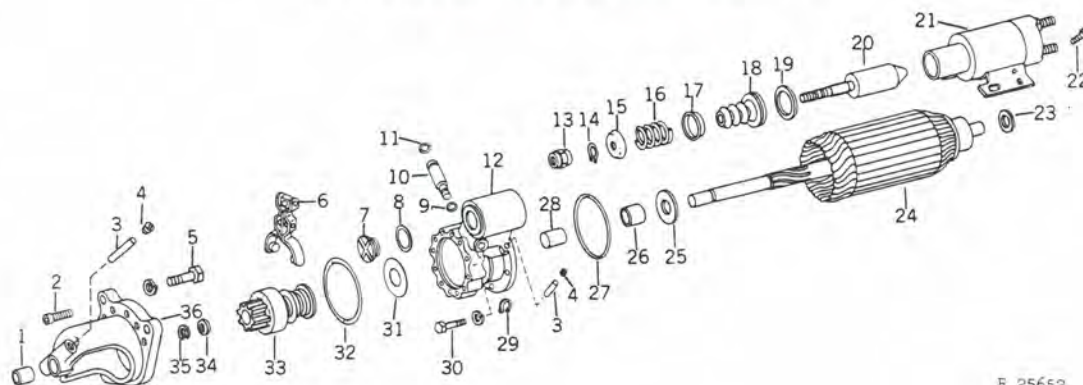
R14134



KEY	PART NO.	ENGINE SERIAL NO.	DESCRIPTION
1	(-)	CASE AND COIL (SUB. R11292)
2	T 18110	(-)	STUD, SWITCH TERMINAL
3	R 11198	(-)	CLIP, TERMINAL
4	R 11293	(-)	STUD, MOTOR TERMINAL
5	R 11295	(-)	STUD, RESISTOR TERMINAL
6	R 40546	(-)	CLIP
7	AR 11051	(-)	CONTACT AND PUSH ROD ASSEMBLY
8	R 11066	(-)	SPRING, RETURN
9	T 18105	(-)	STUD, BATTERY TERMINAL
10	R 40548	(-)	GASKET, COVER
11	R 11294	(-)	COVER
12	T 18107	(-)	WASHER, SEALING (2 USED)
13	24H 1303	(-)	WASHER, 13/32" X 11/16" X .060"
14	14H 732	(-)	NUT, JAM, 3/8" (4 USED)
15	12H 304	(-)	WASHER, LOCK, 3/8" (2 USED)
16	T 18106	(-)	WASHER, SEALING
17	24H 1283	(-)	WASHER, 7/32" X 1/2" X .048"
18	14H 631	(-)	NUT, NO. 10 (2 USED)
19	12H 246	(-)	WASHER, LOCK, NO. 10 (2 USED)
20	R 11039	(-)	WASHER (2 USED)
21	21H 1298	(-)	SCREW, MACH., PAN HD., NO. 10 X 3/8" (2 USED)
22	T 19607	(-)	WASHER, SEALING
23	24H 1281	(-)	WASHER, 5/32" X 3/8" X .048"
24	14H 605	(-)	NUT, NO. 8 (2 USED)
25	12H 290	(-)	WASHER, LOCK, INTERNAL TOOTH, NO. 8 (2 USED)
..	R 11292	(-)	SWITCH, SOLENOID (DELCO-REMY NO. 1115510)

**STARTER, ARMATURE, DRIVE END HOUSING AND DRIVE
(12-VOLT) (DELCO-REMY) (MODEL NO. 1113391)**

R25652



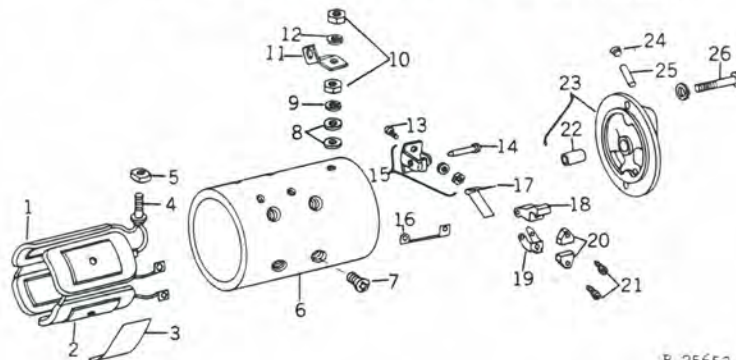
R 25652

KEY	PART NO.	ENGINE SERIAL NO.	DESCRIPTION
1	T 11743	(-)	BUSHING, DRIVE END
2	R 62674	(-)	SCREW, SPECIAL (2 USED)
3	R 40337	(-)	WICK (2 USED)
4	15H 566	(-)	PLUG, PIPE, 1/8" (2 USED)
5	19H 1721	(-)	SCREW, CAP, 1/2" X 1-1/2" (3 USED)
	12H 301	(-)	WASHER, LOCK, 1/2" (3 USED)
6	AR 77261	(-)	LEVER, SHIFT
7	R 11133	(-)	PLUG
8	R 11121	(-)	GASKET
9	A 4365 R	(-)	O-RING
10	R 62670	(-)	SHAFT, SHIFT LEVER
11	A 3917 R	(-)	O-RING
12	AR 77260	(-)	HOUSING, LEVER
13	R 62671	(-)	NUT, SPECIAL
14	R 11026	(-)	RING, RETAINING
15	R 11129	(-)	RETAINER, SPRING
16	R 11128	(-)	SPRING, SHIFT LEVER
17	R 11126	(-)	RETAINER, SPRING
18	R 11127	(-)	BOOT
19	R 11138	(-)	WASHER
20	AR 77256	(-)	PLUNGER
21	AR 77255	(-)	CASE AND COIL (FOR PARTS SEE PAGE 85-9)
22	T 19909	(-)	BOLT, HEX HEAD (4 USED)
23	R 11096	(-)	WASHER
24	AR 77257	(-)	ARMATURE
25	R 11291	(-)	SPACER
26	AR 62964	(-)	SEAL, OIL
27	R 11120	(-)	O-RING
28	R 11212	(-)	BUSHING
29	R 11026	(-)	RING, RETAINING
30	19H 3005	(-)	SCREW, CAP, 1/4" X 1" (5 USED)
	12H 302	(-)	WASHER, LOCK, 1/4" (5 USED)
31	R 11095	(-)	WASHER, BRAKE
32	R 62673	(-)	O-RING
33	AR 76841	(-)	DRIVE MOTOR
34	R 48976	(-)	STOP, PINION
35	R 11117	(-)	RING, RETAINING
36	AR 77259	(-)	HOUSING, DRIVE
..	AR 78538	(-)	STARTER, COMPLETE (12-VOLT) (DELCO-REMY) (SUB. FOR AR77215)

SEE FOLLOWING PAGE FOR ADDITIONAL STARTER SERVICE PARTS

STARTER MAIN FRAME, COIL, AND COMMUTATOR END FRAME
(12-VOLT) (DELCO-REMY) (MODEL NO. 1113391)

R25653



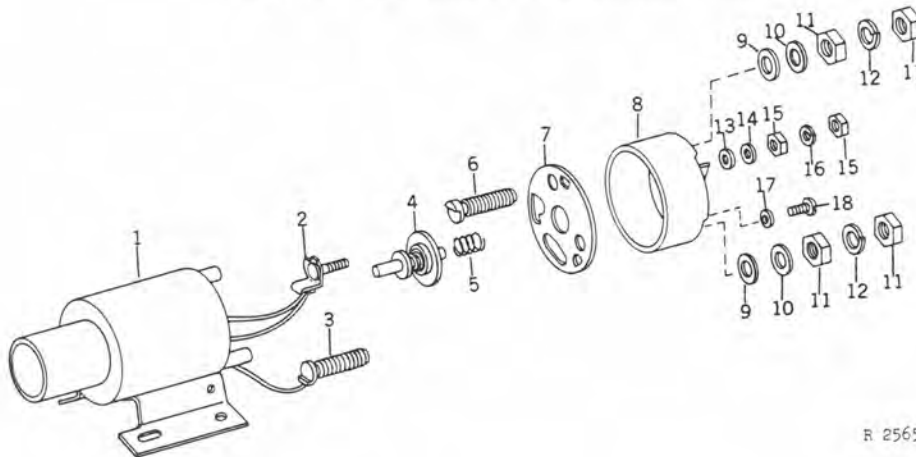
R 25653

KEY	PART NO.	ENGINE SERIAL NO.	DESCRIPTION
1	AR 77258	-	COIL ASSEMBLY, FIELD
2	R 11003	-	SHOE, POLE (4 USED)
3	R 62672	-	INSULATION, FIELD COIL (2 USED)
4	R 11146	-	STUD, FIELD TERMINAL
5	AR 40171	-	INSULATOR, TERMINAL STUD
6	-	FRAME, MAIN (AR78538)
7	21H 1280	-	SCREW, MACH., FILT. HD., 3/8" X 3/4" (4 USED)
8	R 11011	-	WASHER, INSULATING (2 USED)
9	811912	-	WASHER (2 USED)
10	14H 971	-	NUT, HEX., 1/2" (2 USED)
11	R 62669	-	CONNECTOR, FIELD COIL TO SOLENOID SWITCH
12	12H 301	-	WASHER, LOCK, 1/2"
13	R 11250	-	PIN, BRUSH HOLDER SUPPORT (2 USED)
14	R 61933	-	PIN, BRUSH HOLDER (2 USED)
15	AR 75908	-	SUPPORT, BRUSH, PACKAGE (2 USED)
16	AR 11001	-	LEAD, BRUSH, GROUND
17	R 11209	-	SPRING, BRUSH (2 USED)
18	R 11290	-	HOLDER, BRUSH (2 USED)
19	T 738 T	-	HOLDER, BRUSH GROUND (2 USED)
20	R 42574	-	BRUSH (4 USED)
21	37H 78	-	SCREW, TAPPING, NO. 8 X 3/4" (4 USED)
22	R 61932	-	BUSHING
23	AR 75905	-	FRAME, COMMUTATOR END, WITH BUSHING AND EXPANSION PLUG
24	15H 566	-	PLUG, PIPE, 1/8"
25	R 61934	-	WICK
26	19H 3005	-	SCREW, CAP, 1/4" X 1" (4 USED)
	12H 302	-	WASHER, LOCK, 1/4" (4 USED)
	AR 78538	-	STARTER, COMPLETE (12-VOLT) (DELCO-REMY) (SUB. FOR AR77215)

SEE FOLLOWING PAGE FOR ADDITIONAL STARTER SERVICE PARTS

**SOLENOID SWITCH
(12-VOLT) (DELCO-REMY) (MODEL NO. 1113391)**

R25654



R 25654

KEY	PART NO.	ENGINE SERIAL NO.	DESCRIPTION
1	(-)	CASE AND COIL (SUB. AR77255)
2	T 18110	(-)	STUD, SWITCH TERMINAL (2 USED)
3	R 11293	(-)	STUD, MOTOR TERMINAL
4	AR 11051	(-)	CONTACT AND PUSH ROD ASSEMBLY
5	R 11066	(-)	SPRING, RETURN
6	R 62667	(-)	STUD, BATTERY TERMINAL
7	R 40548	(-)	GASKET, COVER
8	R 62668	(-)	COVER
9	T 18107	(-)	WASHER, SEALING (2 USED)
10	24H 1303	(-)	WASHER, 13/32" X 11/16" X .060" (2 USED)
11	14H 732	(-)	NUT, JAM, 3/8" (4 USED)
12	12H 304	(-)	WASHER, LOCK, 3/8" (2 USED)
13	T 18106	(-)	WASHER, SEALING (2 USED)
14	24H 1283	(-)	WASHER, 7/32" X 1/2" X .048" (2 USED)
15	14H 631	(-)	NUT, NO. 10 (4 USED)
16	12H 246	(-)	WASHER, LOCK, NO. 10 (2 USED)
17	R 11039	(-)	WASHER (2 USED)
18	21H 1298	(-)	SCREW, MACH., PAN HD., NO. 10 X 3/8" (2 USED)
..	AR 77255	(-)	SWITCH, SOLENOID (12-VOLT) (DELCO-REMY NO. 1115530)